

GENERAL PURPOSE ENGINE

**GD320
GD321**

PARTS CATALOGUE

8



GD320



GD321

FOREWORD INDEX

1

ENGINE GROUP

2

PART NUMBER INDEX

3

PART NAME INDEX

4

Instruction for use of parts catalogue

- **This parts catalogue was prepared based on the latest information available as of April 20, 2002.**
- See the parts catalogue news for any revision that is made after April 20, 2002.
- **Always specify the part number when ordering a part.**
- Check the model, type, serial numbers, color, maker, and the size as needed before ordering a part.
- Note that the illustrations (part drawings) can differ from the actual parts in shape. They are given just to help you to refer to the parts.
- **When modifications or additions to this parts catalogue are made, a revised edition will be issued at an appropriate time, with successively progressing revision numbers on the cover. We recommend obtaining such revisions in order to keep your parts catalogue up-to-date at all times. To check whether a parts catalogue revision has been issued, please contact your Honda distributor.**

Initial version issue date July 10, 1988
Honda Motor Co., Ltd.

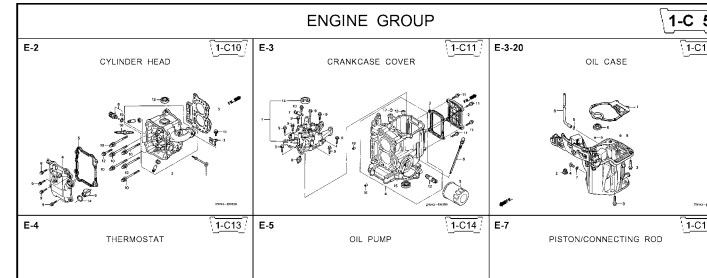
CONTENTS

	Page	Address No.	
● How to refer to the part information	2	B 2	1
● Part catalogue structure	3	B 3	
● When the parts were revised	4	B 4	
● Abbreviations used in the parts catalogue.....	4	B 4	
● How to check the part block and serial numbers.....	5	B 5	
● Models, parts catalogue codes and applicable serial numbers	6	B 6	
● Features of each type.....	9	B 9	
● Fuel hose, general purpose hoses and vinyl hose.....	13	B13	
● How to use the flat rate time (F.R.T.)	14	B14	
● Illustrated index	16	B16	
● ENGINE GROUP.....	20	D 1	2
● PART NO. INDEX.....	101	J 1	3
● PART NAME INDEX.....	105	K 1	4



How to refer to the part information

A Reference with "Illustrated index"



B Reference with "Part number index"

PART NO. INDEX					
Part Number	Address	Page	Ref.	Part Number	Address Page
06000				15212-ZW9-000	1-C14 3C
06316-ZW9-000	1-G9	88	1	15220-ZW9-003	1-C14 3C
11000				15332-ZW9-000	1-E8 55
11300-ZW9-405	1-C11	27	1	15332-ZW9-A30	1-E11 5E
11300-ZW9-406	1-C11	27	1	15400-PFB-004	1-C11 27
11340-ZW9-000	1-C11	27	2	15422-ZW9-000	1-C14 3C
11342-ZW9-000	1-C11	27	3	15473-881-000	1-C14 3C
11381-ZW9-003	1-C12	28	1	15474-ZW9-000	1-C14 3C
				15611-921-000	1-C10 2E
				15655-ZW9-000	1-C11 27
				16000	
12000				16010-ZV4-005	1-D4 3E
12000-ZW9-405ZA	1-C11	27	4	16011-ZV4-005	1-D4 3E
12155-ZV4-A00	1-C13	29	1	16013-ZW9-003	1-D4 3E
12166-ZW9-000	1-C10	26	1	16016-ZW9-003	1-D4 3E
12209-GB4-681	1-C16	32	1	16016-ZW9-721	1-D4 3E
12210-ZW9-405ZA	1-C10	26	2	16023-ZW9-003	1-D4 3E
12216-ZE2-300	1-E8	55	1	16024-ZV4-650	1-D4 3E
	1-E11	58	1	16028-ZV4-650	1-D4 3E

C Reference with "Part name index"

PART NAME INDEX					
Part name	Address	Page	Ref.		
[A]					
ABSORBER , FUEL	1-E15	62	5	BOLT ,	
ARMATURE COMP.	1-D11	43	7	BOLT ,	
ARM COMP. , LINK JOINT	1-G6	85	18	BOLT ,	
ARM COMP. , SHIFT LINK	1-G6	85	14	BOLT ,	
ARM COMP. , TILT	1-F15	79	20		
ARM , FUEL PUMP ROCKER	1-C16	32	4		
ARM , REVERSE LOCK	1-F15	79	18		
ARM , SHIFT LINK	1-F11	74	7		
ARM , STOPPER	1-D1	33	12	BOLT ,	
ARM , THROTTLE REMOTE	1-F11	74	6		
ARM , VALVE ROCKER	1-C16	32	3		
[B]					
BAG , TOOL , 160MM	1-G5	84	10		
BAND	1-G6	86	37		
BAND B1 , WIRE	1-F6	69	1		
BAND , CORD	1-F3	67	18	BOLT ,	
BAND , TUBE CLIP , 11MM	1-E15	63	20		
BAND , TUBE CLIP , 12.5MM	1-E15	63	19	BOLT ,	

Block No.

Address No. 1-C10

Ref No.

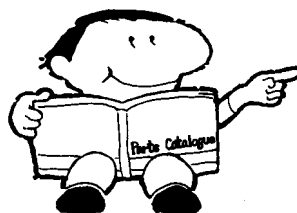
Service item F.R.T.

Ref. No.	Part No.	Description	Reqd. QTY						Serial No.	Parts catalogue code
			9901	9901	1001	1001	1001	1001		
1	12166-ZW9-000	STOPPER, ENGINE SIDE	2	2	2	2	2	2		
2	12210-ZW9-000ZA	HEAD COMP., CYLINDER	1	1	1	1	1	1		
3	12251-ZW9-003	GASKET, CYLINDER HEAD	1	1	1	1	1	1		
4	12310-ZW9-000	COVER COMP., HEAD	1	1	1	1	1	1		
5	12312-ZW9-000	PACKINGS, HEAD COVER	1	1	1	1	1	1		
6	15611-921-000	CAP, OIL (NO GAUGE)	1	1	1	1	1	1		
7	16617-ZW9-000	HOLDER, CABLE	1	1	1	1	1	1	SC,SG	
	16617-ZW9-010		1	1	1	1	1	1	1001801 LHC,LHD	
			1	1	1	1	1	1	1001801 LHC,LHD	
8	35673-ZW5-003	SENSOR ASSY., WATER	1	1	1	1	1	1		
9	90003-ZW9-000	BOLT, FLANGE, 6X22	4	4	4	4	4	4		
10	90007-ZW9-003	BOLT, FLANGE, 8X83	6	6	6	6	6	6		
11	90011-ZW9-000	BOLT, FLANGE, 6X14(CT200)	1	1	1	1	1	1		
12	90020-ZW9-000	BOLT, FLANGE, 8X40	2	2	2	2	2	2		
13	91002-K19-003	OIL SEAL, 20X32X6	1	1	1	1	1	1		
14	91301-805-000	O-RING, 26X2.7	1	1	1	1	1	1		
15	91307-PK2-005	O-RING, 9.5X1.5(HONDA KIKAKI)	1	1	1	1	1	1		
16	98059-55916	PLUG, SPARK (CR5EH-9)	2	2	2	2	2	2		
	98059-55926	PLUG, SPARK (U16FER9)	2	2	2	2	2	2		

Page No.

2000.09.20 E

Part catalogue structure



CYLINDER HEAD

Ref. No.	Part No.	Description	Reqd. QTY						Serial No.	Parts catalogue code
			BF 9.9D1	BFP 9.9D1	BF 10D1	BFP 10D1	BF 10B1	BFP 10B1		
1	12166-ZW9-000	STOPPER, ENGINE SIDE	2	2	2	2	2	2		
2	12210-ZW9-000ZA	HEAD COMP., CYLINDER								

Ref. No.	Part No.	Description	Reqd. QTY						Serial No.	Parts catalogue code
			BF 9.9D1	BFP 9.9D1	BF 10D1	BFP 10D1	BF 10B1	BFP 10B1		
1	12166-ZW9-000	STOPPER, ENGINE SIDE	2	2	2	2	2	2		
2	12210-ZW9-000ZA	HEAD COMP., CYLINDER								
3	12251-ZW9-003	GASKET, CYLINDER HEAD	1	1	1	1	1	1		
4	12310-ZW9-000	COVER COMP., HEAD	1	1	1	1	1	1		
5	12312-ZW9-000	PACKING, HEAD COVER	1	1	1	1	1	1		
6	15611-921-000	CAP, OIL (NO GAUGE)	1	1	1	1	1	1		
7	16617-ZW9-000	HOLDER, CABLE	1	1	1	1	1	1	SC,S6	
	16617-ZW9-010		1	1	1	1	1	1	1001800 LHC,LHD	

① Address number

- Address No. is provided (in place of the page No.) to help you refer to the part with the part No. or part name.

② Block title

③ Block number

④ Service item/Flat rate time

⑤ Reference number

- Title number marked with the parenthesis or parentheses indicates that it continues from the previous page.

⑥ Part number

⑦ Honda color code

⑧ Description

⑨ Assemblies

- Sections framed with broken lines in the exploded view drawings are available as complete assemblies. (Their individual parts can also be obtained.)

⑩ Color description

⑪ Note

- Notes are shown with the parentheses in the part name column.

⑫ Required quantity

- Required QTY shown in the parenthesis or parentheses indicates the optional part.
- Required QTY marked with "N" Indicates the optional part that should be selected as needed.
- Required QTY indicates the number of the part used in the block.

⑬ Serial number

⑭ Type

- When the type column is blank, it indicates that the part is applicable to all types.
- As the type of the actual unit may differ from the "parts catalogue, type" please refer to "Models, types and applicable serial numbers" for confirmation.

When the parts were revised

Abbreviations used in the parts catalogue

1



Be sure to check the serial number!!



Ref. No.	Part No.	Description	Reqd. QTY						Serial No.
			BF 99D1	BFP 99D1	BF 10D1	BFP 10D1	BF 10B1	BFP 10B1	
1	12166-ZW9-000	STOPPER, ENGINE SIDE	2	2	2	2	2	2	
2	12210-ZW9-000ZA	HEAD COMP., CYLINDER *NH8*.....DARK GRAY	1	1	1	1	1	1	
3	12251-ZW9-003	GASKET, CYLINDER HEAD	1	1	1	1	1	1	
4	12310-ZW9-000	COVER COMP., HEAD	1	1	1	1	1	1	
5	12312-ZW9-000	PACKING, HEAD COVER	1	1	1	1	1	1	
6	15611-921-000	CAP, OIL (NO GAUGE)	1	1	1	1	1	1	
7	16617-ZW9-000	HOLDER, CABLE	1	1	1	1	1	1	
	16617-ZW9-010	1	1	1	1	1	1	



The number has been used from the initial model without revision.

When shown at the left side, it is applicable to the models of No.1001801 and the subsequent numbers.

When shown at the right side, it is applicable to the models up to No.1001800.

• The following abbreviations are used in the parts name column.

- A Ampere
- A.C. Alternating current
- ASSY. Assembly
- AT. Automatic transmission
- C.D.I. Capacitive discharge ignition
- COMP. ... Complete
- D.C. Direct current
- EX. Exhaust
- G.F.C.I ... Ground fault circuit interruptor
- HEX. Hexagonal
- H.S.T. Hydrostatic transmission
- FR.Front
- IN.Inlet
- L (100L) .Link (100 Links)
- L.Left
- MMMillimeter
- MT.Manual Transmission
- P.T.O.Power take off
- R.Right
- RR.Rear
- STD.Standard
- T (22T) ...Tooth (22 Teeth)
- VVolt
- WWatt

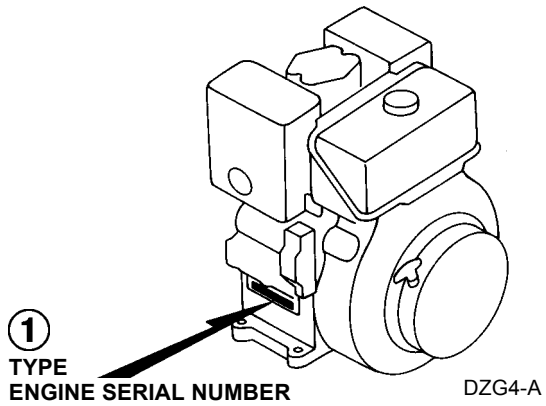
How to check the part block and serial numbers

Part block Engine parts
E-1~



Numbers needed Stamped engine number

Check point ①



Models, parts catalogue codes and applicable serial numbers

- Models, parts catalogue codes and applicable serial Nos. given in this parts catalogue can be identified as follows.

Model	Type	Parts catalogue type	Applicable engine serial No.
GD320 (1)	LH	LH	GPB-1000001~
	LHE	LHE	
	LJ	LJ	
	LJE	LJE	
	LNE	LNE	
	PAA	PAA	GPB-1000001~1008896
	QA	QA	GPB-1000001~
	QAA	QAA	GPB-1000001~1008896
	QAAE	QAAE	
	QAE	QAE	GPB-1000001~
	QB	QB	
	QBE	QBE	
	QH	QH	
	QHE	QHE	GPB-1000001~1008896
	QN	QN	
	QNE	QNE	
	QX	QX	GPB-1000001~
	QXE	QXE	
	SB	SB	
	SBE	SBE	
SH	SH		

Model	Type	Parts catalogue type	Applicable engine serial No.
GD320 (1)	SHE	SHE	GPB-1000001~
	SJ	SJ	
	SJE	SJE	
	SN	SN	GPB-1000001~1008896
	SNE	SNE	
	STE	STE	GPB-1000001~
	SX	SX	
	SXE	SXE	
	VA	VA	GPB-1000001~1008896
	VAA	VAA	
	VAAE	VAAE	
	VAE	VAE	
	VB	VB	GPB-1000001~
	VBE	VBE	
	VH	VH	
	VHE	VHE	GPB-1000001~1008896
	VN	VN	
	VNE	VNE	
	VX	VX	GPB-1000001~
	VXE	VXE	

Model	Type	Parts catalogue type	Applicable engine serial No.
GD320 (1)	WA	WA	GPB-1000001~1008896
	WAA	WAA	
	WH	WH	
	WJ	WJ	
	WJE	WJE	
	WX	WX	
GD320 (2)	E1	E1	GPB-1000001~
	L1	L1	
	Q1	Q1	
	S1	S1	
	V1	V1	
	W1	W1	
GD321 (1)	LH	LH	GPAD-1000001~
	LHE	LHE	
	LHQ4	LHQ4	
	LJ	LJ	
	LJE	LJE	
	LNE	LNE	
	PAA	PAA	GPAD-1000001~1099999
	QA	QA	
	QAA	QAA	
	QAAE	QAAE	
QAE	QAE		

Model	Type	Parts catalogue type	Applicable engine serial No.
GD321 (1)	QB	QB	GPAD-1000001~
	QBE	QBE	
	QH	QH	
	QHE	QHE	
	QHE4	QHE4	
	QX	QX	
	QXE	QXE	
	SB	SB	
	SBE	SBE	
	SH	SH	
	SHE	SHE	
	SHE4	SHE4	
	SJ	SJ	
	SJE	SJE	
	STE	STE	
	SX	SX	
	SXE	SXE	
	SXQ4	SXQ4	
	VA	VA	GPAD-1000001~1099999
	VAA	VAA	
VAAE	VAAE		
VAE	VAE		

1

1

Model	Type	Parts catalogue type	Applicable engine serial No.
GD321 (1)	VB	VB	GPAD-1000001~
	VBE	VBE	
	VGB	VGB	
	VH	VH	
	VHE	VHE	
	VX	VX	
	VXE	VXE	
	WA	WA	GPAD-1000001~1099999
	WAA	WAA	
	WH	WH	GPAD-1000001~
	WJ	WJ	
	WJE	WJE	
	WX	WX	
	GD321 (2)	E1	
L1		L1	
Q1		Q1	
S1		S1	
V1		V1	
W1		W1	

Features of each type

• See the following table for the features of each type.

Specifications		Model Type	GD320														
			Standard equipment (1)														
		LH	LHE	LJ	LJE	LNE	PAA	QA	QAA	QAAE	QAE	QB	QBE	QH	QHE	QN	QNE
Crankshaft	25 mm Ø Straight																
	25.4 mm Ø Straight							•	•	•	•	•	•	•	•	•	•
	35 mm Ø Straight	•	•	•	•	•											
	M20 Stepped thread																
	Tapered																
Air cleaner	3/4" Ø Thread						•										
	Standard	•	•	•	•	•		•			•	•	•	•	•	•	•
Fuel tank	Wet						•		•	•							
	Standard	•	•	•	•			•			•	•	•	•	•	•	•
Control lever	Gauge					•	•	•	•	•	•						
	1-Lever																
Control lever	2-Lever	•	•	•	•	•	•	•	•	•	•	•	•	•	•	•	•
	P.T.O. Flange																
Starter motor			•		•	•				•	•		•		•		•
Control box			•		•	•				•	•		•		•		•
Arrester (Muffler)							•	•	•	•	•						
Deflector (Muffler)						•	(•)	(•)	(•)	(•)	(•)						

Specifications		Model Type	GD320														
			Standard equipment (1)														
		QX	QXE	SB	SBE	SH	SHE	SJ	SJE	SN	SNE	STE	SX	SXE	VA	VAA	VAAE
Crankshaft	25 mm Ø Straight			•	•	•	•	•	•	•	•	•	•	•			
	25.4 mm Ø Straight	•	•														
	35 mm Ø Straight																
	M20 Stepped thread																
	Tapered															•	•
Air cleaner	3/4" Ø Thread																
	Standard	•	•	•	•	•	•	•	•	•	•		•	•			
Fuel tank	Wet											•			•	•	•
	Standard			•	•	•	•	•	•	•	•						
Control lever	Gauge	•	•										•	•	•	•	•
	1-Lever											•					
Control lever	2-Lever	•	•	•	•	•	•	•	•	•	•		•	•	•	•	•
	P.T.O. Flange																
Starter motor			•		•		•		•		•	•		•			•
Control box			•		•		•		•		•		•				•
Arrester (Muffler)																(•)	•
Deflector (Muffler)															(•)	(•)	(•)

Specifications		Model	GD320													
		Type	Standard equipment (1)													
			VAE	VB	VBE	VH	VHE	VN	VNE	VX	VXE	WA	WAA	WH	WJ	WJE
Crankshaft	25 mm Ø Straight															
	25.4 mm Ø Straight															
	35 mm Ø Straight															
	M20 Stepped thread										•	•	•	•	•	•
	Tapered	•	•	•	•	•	•	•	•	•						
	3/4" Ø Thread															
Air cleaner	Standard		•	•	•	•	•	•	•	•			•	•	•	•
	Wet	•									•	•				
Fuel tank	Standard		•	•	•	•	•	•					•	•	•	•
	Gauge	•							•	•	•	•				•
Control lever	1-Lever															
	2-Lever	•	•	•	•	•	•	•	•	•	•	•	•	•	•	•
P.T.O. Flange											•	•	•	•	•	•
Starter motor		•		•		•		•		•					•	•
Control box		•		•		•		•		•					•	
Arrester (Muffler)		(•)									(•)	•				
Deflector (Muffler)		(•)									(•)	(•)				

Specifications		Model	GD320					
		Type	Selective equipment (2)					
			E1	L1	Q1	S1	V1	W1
Crankshaft	25 mm Ø Straight				•			
	25.4 mm Ø Straight			•				
	35 mm Ø Straight		•					
	M20 Stepped thread						•	
	Tapered	•				•		
	3/4" Ø Thread							
Air cleaner	Standard	•	•	•	•	•	•	
	Wet	(•)	(•)	(•)	(•)	(•)	(•)	
Fuel tank	Standard	(•)	(•)	(•)	(•)	(•)	(•)	
	Gauge	(•)	(•)	(•)	(•)	(•)	(•)	
Control lever	1-Lever	(•)	(•)	(•)	(•)	(•)	(•)	
	2-Lever	•	•	•	•	•	•	
P.T.O. Flange							•	
Starter motor		(•)	(•)	(•)	(•)	(•)	(•)	
Control box		(•)	(•)	(•)	(•)	(•)	(•)	
Arrester (Muffler)		(•)	(•)	(•)	(•)	(•)	(•)	
Deflector (Muffler)		(•)	(•)	(•)	(•)	(•)	(•)	

Specifications		Model Type	GD321														
			Standard equipment (1)														
			LH	LHE	LHQ4	LJ	LJE	LINE	PAA	QA	QAA	QAAE	QAE	QB	QBE	QH	QHE
Crankshaft	25 mm Ø Straight																
	25.4 mm Ø Straight								•	•	•	•	•	•	•	•	•
	35 mm Ø Straight	•	•	•	•	•	•										
	M20 Stepped thread																
	Tapered																
	3/4" Ø Thread							•									
Air cleaner	Standard	•	•	•	•	•	•						•	•	•	•	•
	Wet							•	•	•	•	•					
Fuel tank	Standard	•	•	•	•	•							•	•	•	•	•
	Gauge						•	•	•	•	•	•					
Control lever	1-Lever																
	2-Lever	•	•	•	•	•	•	•	•	•	•	•	•	•	•	•	•
P.T.O. Flange																	
Starter motor			•			•	•				•	•		•	•	•	•
Control box			•			•	•				•	•		•	•	•	•
Arrester (Muffler)								•	(•)	•	•	(•)					
Deflector (Muffler)							•	(•)	(•)	(•)	(•)	(•)					

Specifications		Model Type	GD321															
			Standard equipment (1)															
			QX	QXE	SB	SBE	SH	SHE	SHE4	SJ	SJE	STE	SX	SXE	SXQ4	VA	VAA	VAAE
Crankshaft	25 mm Ø Straight			•	•	•	•	•	•	•	•	•	•	•	•	•	•	
	25.4 mm Ø Straight	•	•															
	35 mm Ø Straight																	
	M20 Stepped thread																	
	Tapered													•	•	•		
	3/4" Ø Thread																	
Air cleaner	Standard	•	•	•	•	•	•	•	•	•	•	•	•	•	•	•	•	
	Wet										•			•	•	•		
Fuel tank	Standard			•	•	•	•	•	•	•				•	•	•	•	
	Gauge	•	•									•	•	•	•	•	•	
Control lever	1-Lever										•							
	2-Lever	•	•	•	•	•	•	•	•	•	•	•	•	•	•	•	•	
P.T.O. Flange																		
Starter motor			•		•		•	•		•	•		•				•	
Control box			•		•		•	•		•			•				•	
Arrester (Muffler)																(•)	•	•
Deflector (Muffler)																(•)	(•)	(•)

Specifications		Model Type	GD321												
			Standard equipment (1)												
			VAE	VB	VBE	VGB	VH	VHE	VX	VXE	WA	WAA	WH	WJ	WJE
Crankshaft	25 mm Ø Straight														
	25.4 mm Ø Straight														
	35 mm Ø Straight														
	M20 Stepped thread									•	•	•	•	•	•
	Tapered	•	•	•	•	•	•	•	•						
	3/4" Ø Thread														
Air cleaner	Standard		•	•	•	•	•	•	•			•	•	•	•
	Wet	•								•	•				
Fuel tank	Standard		•	•		•	•					•	•	•	
	Gauge	•			•			•	•	•	•				•
Control lever	1-Lever														
	2-Lever	•	•	•	•	•	•	•	•	•	•	•	•	•	•
P.T.O. Flange										•	•	•	•	•	•
Starter motor		•		•			•		•					•	
Control box		•		•			•		•					•	
Arrester (Muffler)		(•)								(•)	•				
Deflector (Muffler)		(•)								(•)	(•)				

Specifications		Model Type	GD321					
			Selective equipment (2)					
			E1	L1	Q1	S1	V1	W1
Crankshaft	25 mm Ø Straight				•			
	25.4 mm Ø Straight			•				
	35 mm Ø Straight		•					
	M20 Stepped thread						•	
	Tapered	•				•		
	3/4" Ø Thread							
Air cleaner	Standard	(•)	(•)	(•)	(•)	(•)	(•)	
	Wet	(•)	(•)	(•)	(•)	(•)	(•)	
Fuel tank	Standard	(•)	(•)	(•)	(•)	(•)	(•)	
	Gauge	(•)	(•)	(•)	(•)	(•)	(•)	
Control lever	1-Lever	(•)	(•)	(•)	(•)	(•)	(•)	
	2-Lever	•	•	•	•	•	•	
P.T.O. Flange							•	
Starter motor		(•)	(•)	(•)	(•)	(•)	(•)	
Control box		(•)	(•)	(•)	(•)	(•)	(•)	
Arrester (Muffler)		(•)	(•)	(•)	(•)	(•)	(•)	
Deflector (Muffler)		(•)	(•)	(•)	(•)	(•)	(•)	

Fuel hose, general purpose hoses and vinyl hose

- The standard part fuel hose, general purpose hose and vinyl hose may be substituted by the coiled bulk part.
- When ordering the standard part fuel hose, general purpose hose and vinyl hose use the bulk part number written in the parts catalog in brackets () underneath the part name.
- When exchanging the hose, cut and use at the specified length as mentioned in the part name.
(For the method of cutting the bulk part, and method of filling out orders etc., please refer to the instructions issued with the bulk part.)

Bulk part number of fuel hose, general purpose hose and vinyl hose.

Example: 9 5 0 0 1 - 7 5 0 0 1 - 5 0 M

Bulk part number:
Refers to the bulk part.

Marking code (fuel hose and general purpose hose)

Change code (Vinyl hose)

Indicates number mark or change sequence, however, the code for the bulk part must be strictly 0 (zero).

Types of code:

- | | | | | | |
|-------------|--|----------------|--|--------------|---|
| • Fuel hose | 2: Red outside braid
(3 mm inside dia. only) | • General hose | 1: Ash gray
2: Ash gray
3: Black
5: Black | • Vinyl hose | 1: Clear
2: Black
3: Light red
6: Light red
7: Pale black |
| | 5: Black inside braid | | | | |
| | 3: Red (3 mm inside dia. only) | | | | |
| | 4: Ash gray with red stripe
(3 mm inside dia. only) | | | | |
| | 6: Black | | | | |

Lengths:

- 001: 1 m (standard)
003: 3 m
008: 8 m } Application or specification of some parts is not settled.

I.D code: (fuel hose and general purpose hose)

- | | | | | |
|------------|--------------------|--------------------|-----------------------------|-----------------------------|
| 30: 3.0 mm | 50: 5.0 mm | 70: 7.0 mm | 11: 11 mm | 12: 12 (outside dia. 17) mm |
| 35: 3.5 mm | 55: 5.3 mm, 5.5 mm | 75: 7.3 mm, 7.5 mm | 91: 12 (outside dia. 15) mm | 14: 14 mm |
| 45: 4.5 mm | 65: 6.5 mm | 80: 8.0 mm | 92: 12 (outside dia. 16) mm | 17: 17 mm |

ID./OD. code: (vinyl hose)

- | | | | | |
|-------------------------|--------------------------|---------------------------|---------------------------|---------------------------|
| 01: ID. 2.9, OD. 6.8 mm | 12: ID. 5.0, OD. 7.0 mm | 21: ID. 8.0, OD. 9.0 mm | 37: ID. 11.0, OD. 15.0 mm | 50: ID. 16.0, OD. 19.0 mm |
| 03: ID. 3.0, OD. 6.0 mm | 10: ID. 5.0, OD. 8.0 mm | 23: ID. 8.0, OD. 12.0 mm | 38: ID. 12.0, OD. 13.0 mm | 55: ID. 17.5, OD. 20.5 mm |
| 05: ID. 3.5, OD. 6.5 mm | 11: ID. 5.0, OD. 9.0 mm | 25: ID. 9.0, OD. 11.0 mm | 39: ID. 12.0, OD. 14.0 mm | 60: ID. 22.0, OD. 27.0 mm |
| 07: ID. 4.0, OD. 7.0 mm | 14: ID. 6.0, OD. 9.0 mm | 27: ID. 9.0, OD. 13.0 mm | 40: ID. 12.0, OD. 16.0 mm | |
| 08: ID. 4.5, OD. 6.5 mm | 17: ID. 7.0, OD. 9.0 mm | 33: ID. 10.0, OD. 14.0 mm | 43: ID. 13.0, OD. 15.0 mm | |
| 09: ID. 4.5, OD. 8.0 mm | 19: ID. 7.0, OD. 11.0 mm | 36: ID. 11.0, OD. 13.0 mm | 45: ID. 14.0, OD. 18.0 mm | |

Hose type:

- 1: Fuel hose
3: Vinyl hose
5: General hose

⊙ **CAUTION: It is DANGEROUS to confuse the fuel hose with the general purpose hose or vinyl hose.**

Never use a general purpose hose or vinyl hose in place of a fuel hose or vice versa. Always use the correct bulk part in the parts catalogue, according to the service manual or the instructions issued with the bulk part.

How to use the flat rate time (F.R.T.)

This F.R.T. (Flat Rate Time) is used to determine the standard labor time allowed for replacement of parts covered by the warranty during the period the warranty is in effect. The F.R.T. for those parts which are not listed herein should be determined from the operation closely related to the replacement of that part.

1. The F.R.T. is based on the following servicing conditions

- a. A liberal allowance is added to the net servicing time.
- b. Standard times specified are based on the condition that the necessary servicing tools listed in the service manual which describes the Honda service policy are available close at hand and the work performed by a mechanic with normal skill.
- c. Time required for inspection and operational test following the servicing is included in the F.R.T.
- d. The F.R.T. for "*" marked parts are same as the F.R.T. for the representative part above.
- e. The F.R.T. shown with (*) includes engine removal and installation.

2. Method of computing

The job times are listed in tenth of an hour to simplify computation.

(Example) 0.3 = 18 minutes
5.6 = 5 hours and 36 minutes

CONVERSION CHART			
Hours	Minutes	Hours	Minutes
0.1	6	0.6	36
0.2	12	0.7	42
0.3	18	0.8	48
0.4	24	0.9	54
0.5	30	1.0	60

3. Computing the F.R.T.

The following are only examples and do not reflect the actual F.R.T. for this product.

When several jobs are performed at the same time, make the calculation in the following manner.

a. Jobs of non duplicated nature

The F.R.T. for the job is obtained by totalling the F.R.T. for each part replaced.

(Example) Replacement of head cover gasket and oil filter.

Service item	F.R.T.
Packing, cylinder head cover	0.5
Cartridge, oil filter	0.5

The F.R.T. for the job is: 0.5 + 0.5 = 1.0

b. Jobs of duplicated nature

Take the F.R.T. for the last part to be replaced.

(Example) Replacement of piston and cylinder head gasket.

Service item	F.R.T.
Gasket comp., cylinder head	3.0
Piston	*5.0

The F.R.T. for the job is: 5.0

c. Jobs of partially related nature

Total up the F.R.T. for all of the parts replaced and then subtract the F.R.T. for the duplicated operation (i.e., cylinder head gasket service).

(Example) Replacement of valve and cylinder head.

Service item	F.R.T.
Valve	*3.0
Head assy., cylinder	*4.0
Gasket comp., cylinder head	*2.5

The F.R.T. for the job is: (3.0 + 4.0) - 2.5 = 4.5

- The F.R.T. shown with (*) includes engine removal and installation.
- The parts, having the same number of man-hour, are identified by a mark “*”, and classified under the title of their representative work.

4. Adjustment, cleaning

Item	Service item	F.R.T.
Adjustment	Tappets	0.4
	Opening pressure	0.5
Cleaning	Oil strainer	0.2
	Air cleaner element	0.2
	Arrester spark	0.2
	Cylinder head	1.1
	Injection nozzle	0.3

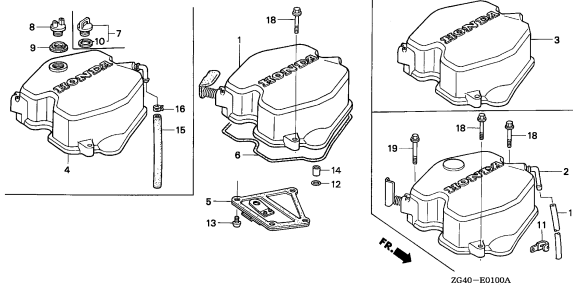
ENGINE GROUP

B16

E-1

CYLINDER HEAD COVER

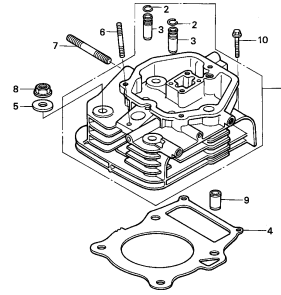
D 1



E-2

CYLINDER HEAD

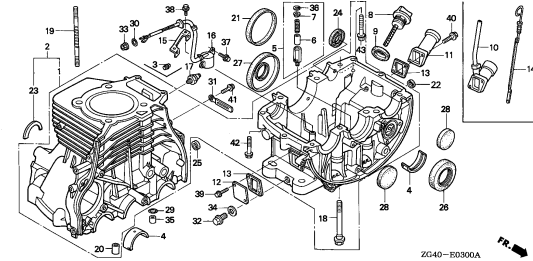
D 3



E-3

CYLINDER BARREL

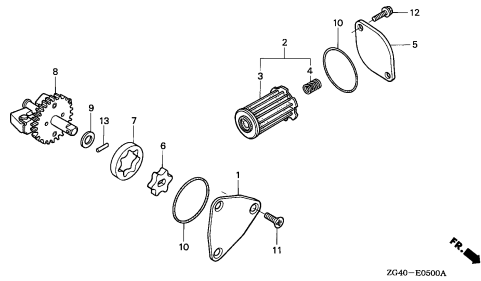
D 4



E-5

OIL PUMP

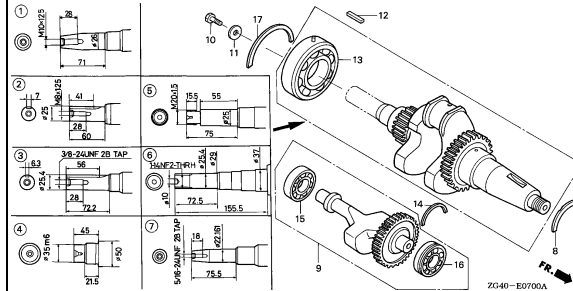
D11



E-7

CRANKSHAFT

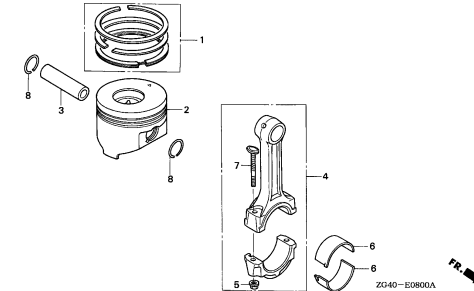
D13



E-8

PISTON/CONNECTING ROD

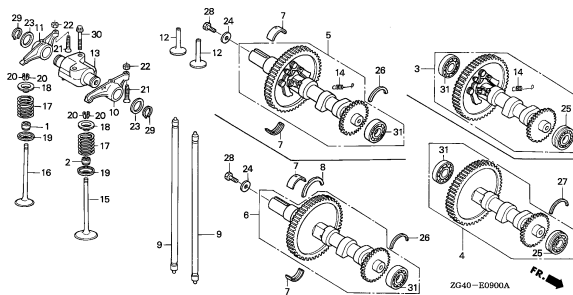
D15



E-9

CAMSHAFT

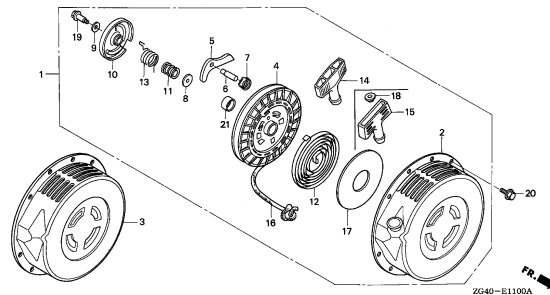
E 3



E-11

RECOIL STARTER

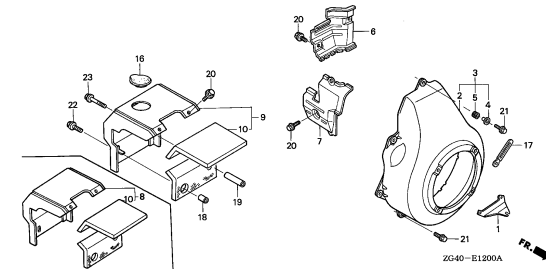
E 6



E-12

FAN COVER

E13



2

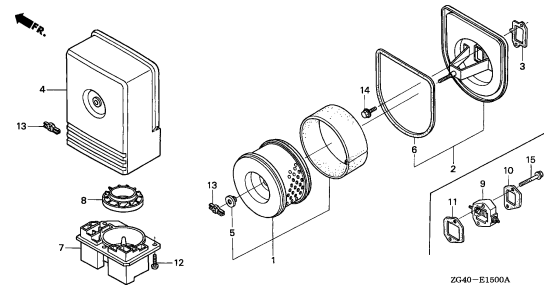
ENGINE GROUP

C 1

E-15

AIR CLEANER

E15

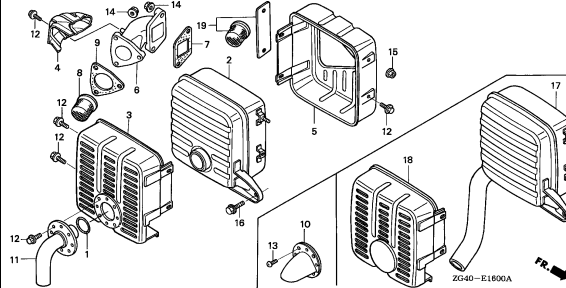


ZG40-E1800A

E-16

MUFFLER(1)

F 1

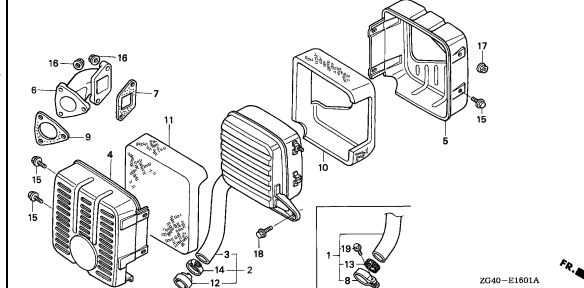


ZG40-E1800A

E-16-1

MUFFLER(2)

F 4

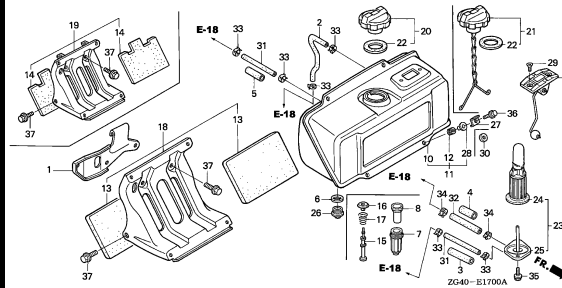


ZG40-E1801A

E-17

FUEL TANK(1)

F 6

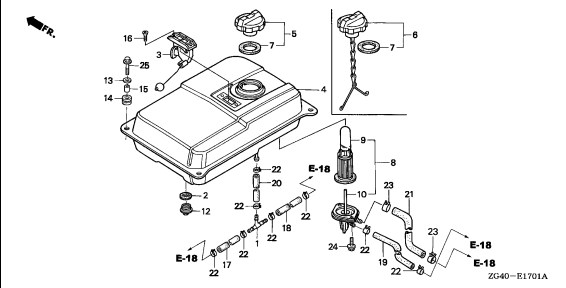


ZG40-E1700A

E-17-1

FUEL TANK(2)

F12

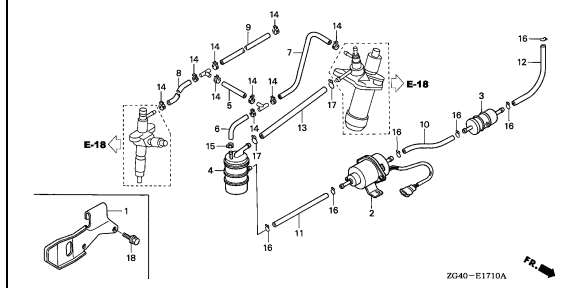


ZG40-E1701A

E-17-10

FUEL PUMP

F14

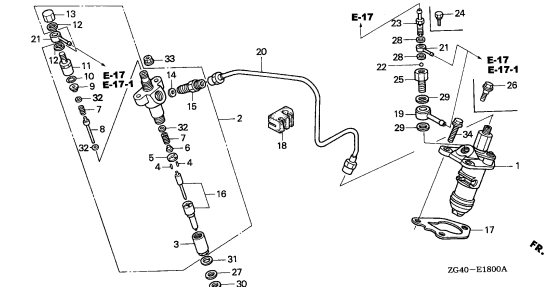


ZG40-E1710A

E-18

FUEL INJECTION PUMP

F16

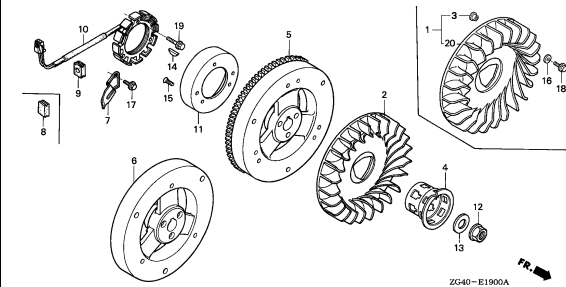


ZG40-E1800A

E-19

FLYWHEEL

G 5

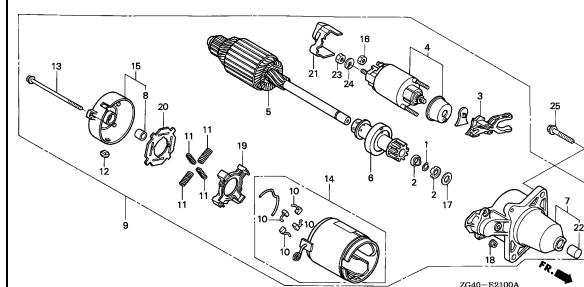


ZG40-E1900A

E-21

STARTER MOTOR(1)

G 7



ZG40-E2100A

2

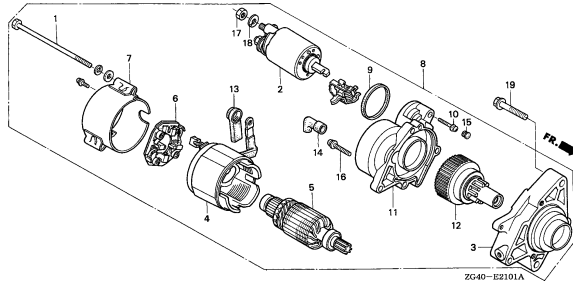
ENGINE GROUP

C 2

E-21-1

STARTER MOTOR(2)

G10

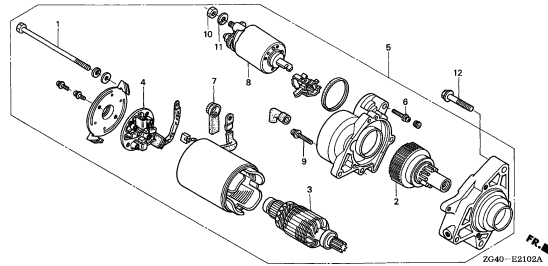


ZG40-E2101A

E-21-2

STARTER MOTOR(3)

G12

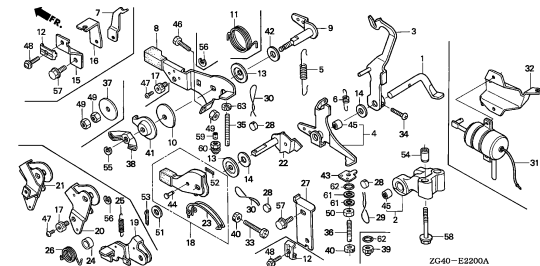


ZG40-E2102A

E-22

CONTROL

G13

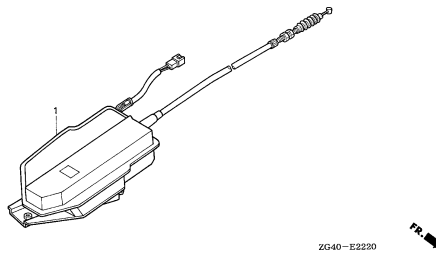


ZG40-E2200A

E-22-20

ENGINE STOP MOTOR

H 5

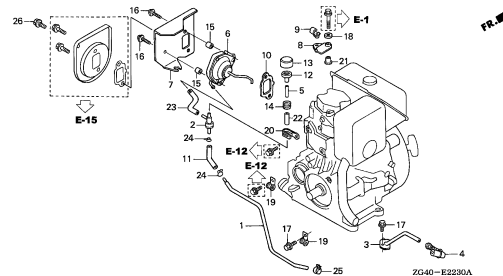


ZG40-E2220

E-22-30

DIAPHRAGM

H 6

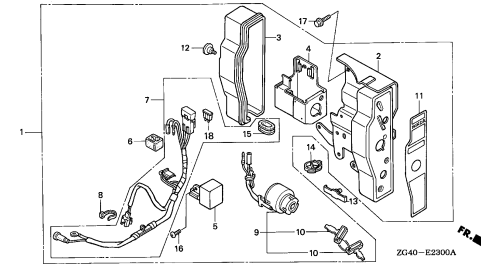


ZG40-E2230A

E-23

CONTROL BOX

H 8

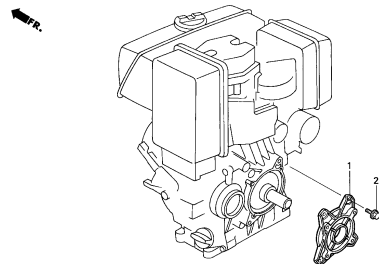


ZG40-E2300A

E-25

P.T.O. FLANGE

H11

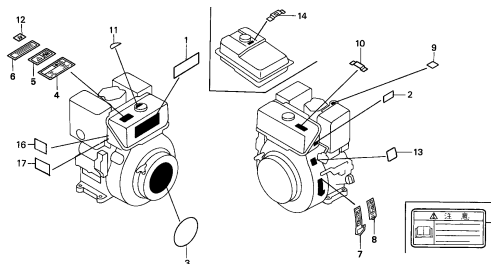


ZG40-E2500A

E-28

LABEL

H12

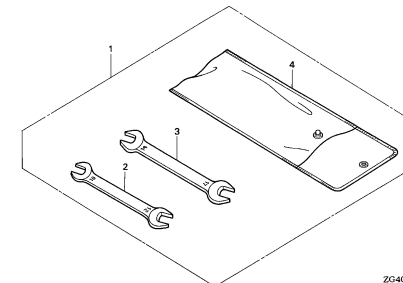


ZG40-E2800

E-29

TOOL

H15



ZG40-E2900

2

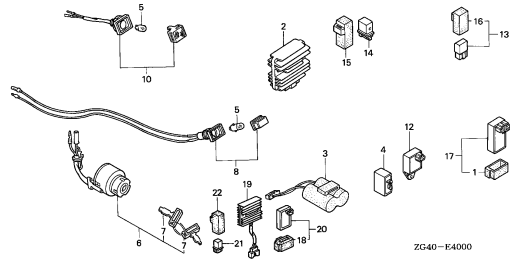
ENGINE GROUP

C 3

E-40

H16

COMBINATION SWITCH

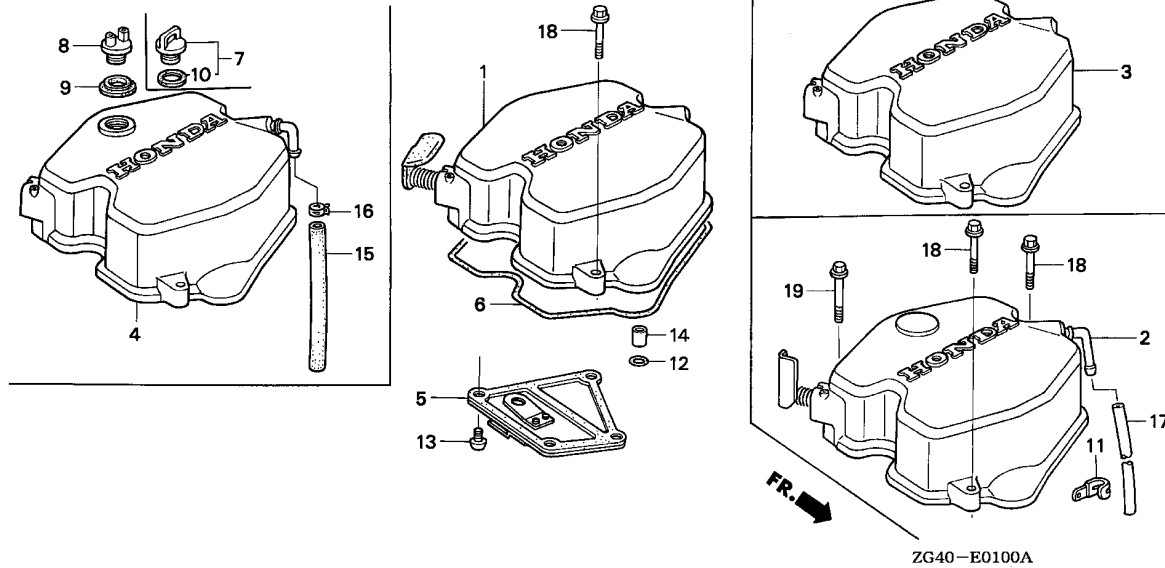


2

E-1

CYLINDER HEAD COVER

D 1



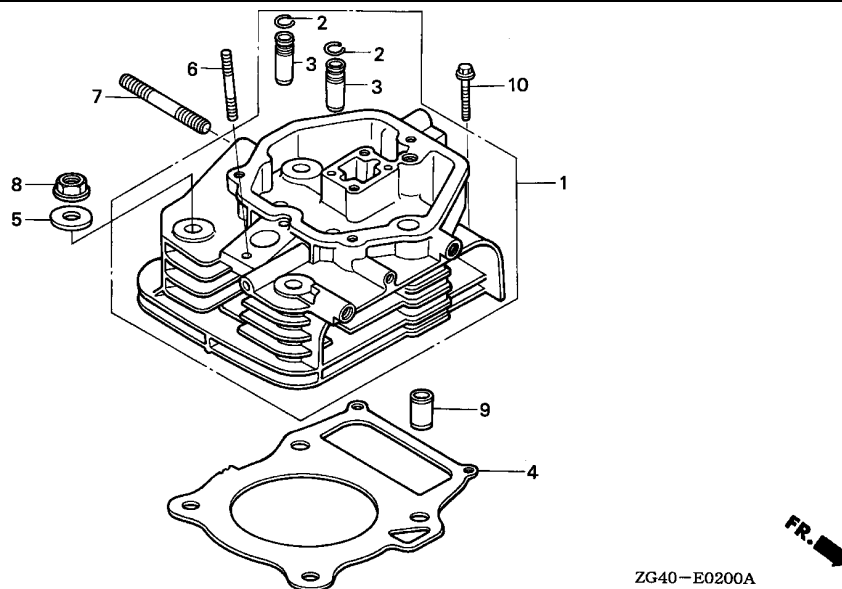
Service item	F.R.T.
O-RING, HEAD COVER	0.1
COVER COMP., CYLINDER HEAD ...	0.2
.COVER COMP., HEAD	
.COVER, CYLINDER HEAD	
.PLATE COMP., BREATHER	

2

Ref. No.	Part No.	Description	Reqd. QTY				Serial No.	Parts catalogue code
			GD 320 (1)	GD 320 (2)	GD 321 (1)	GD 321 (2)		
1	12310-ZG3-800	COVER COMP., CYLINDER HEAD	1	(1)	-	-	1001207	QAE,QHE,QXE,Q1,SHE,SJE,SXE,S1,VHE,VXE,V1,W1
	12310-ZG3-801 (SEL)	1	(1)	1	-	1001208	E1,LHE,LJE,LNE,L1,QAAE,QHE4,SHE4,VAAE,VAE,WJE
		-	-	1	-		QAE,QHE,QXE,Q1,SHE,SJE,SXE,S1,VHE,VXE,V1,W1
		-	-	-	(1)		QAE,QBE,QHE,QXE,SBE,SHE,SJE,SXE,VBE,VHE,VXE
	12310-ZG3-820	COVER COMP., CYLINDER HEAD ..	1	-	-	-		QBE,QNE,SBE,SNE,VBE,VNE
2	12310-ZJ7-871	COVER COMP., HEAD (ALERT) ...	-	-	-	(1)		
3	12311-ZG3-000	COVER, CYLINDER HEAD	1	(1)	-	-	1001169	QA,QH,QX,Q1,SH,SJ,SX,S1,VH,VX,V1,WH,WJ,WX,W1
	12311-ZG3-010	1	(1)	1	-	1001170	E1,LH,LHQ4,LJ,L1,PAA,QAA,SXQ4,VA,VAA,VGB,WA,WAA
		-	(1)	-	-		QA,QH,QX,Q1,SH,SJ,SX,S1,VH,VX,V1,WH,WJ,WX,W1
		-	-	1	-		QA,QB,QH,QX,SB,SH,SJ,SX,VB,VH,VX,WH,WJ,WX
		-	-	-	(1)		
	12311-ZG3-810	1	-	-	-		QB,QN,SB,SN,VB,VN
4	12311-ZG4-910	COVER, CYLINDER HEAD	1	-	1	-		STE
5	12380-ZG3-000	PLATE COMP., BREATHER	1	1	1	1		
	12380-ZJ7-870	PLATE COMP., BREATHER (ALERT) ..	-	-	-	(1)		
	12380-ZG3-000	PLATE COMP., BREATHER	-	-	-	(1)		
6	12391-ZG3-000	O-RING, HEAD COVER	1	1	1	1		
7	15600-ZG4-003	CAP ASSY., OIL FILLER	1	-	-	-	1008654	----- STE
		-	-	1	-		----- STE
8	15620-ZG4-910	CAP, OIL FILLER	1	-	-	-	1008653	STE
9	15621-896-010	PACKING, OIL FILLER CAP	1	-	-	-	1008653	STE
10	15625-ZE1-003	PACKING, OIL FILLER CAP	1	-	-	-	1008654	----- STE
		-	-	1	-		----- STE
11	32925-958-000	CLIP, PULSER CORD	-	-	-	(1)		
12	51866-SA5-801	O-RING	1	1	1	1		

Ref. No.	Part No.	Description	Reqd. QTY				Serial No.	Parts catalogue code			
			GD 320 (1)	GD 320 (2)	GD 321 (1)	GD 321 (2)					
13	90009-ZG3-000	SCREW, PAN, 6X8	4	-	-	-	-----	QN,QNE,SN,SNE,VN,VNE			
			4	-	-	-	-----	1006090 LH,LHE,QA,QAA,QAAE,QAE,QH,QHE,QX,QXE,SH,SHE,STE,SX,SXE,VA,VAA			
			4	-	-	-	-----	VAAE,VH,VHE,VX,VXE,WA,WAA,WH,WX			
			4	-	-	-	-----	1006146 VAE			
			4	-	-	-	-----	1006190 SJ,SJE,WJ			
			4	-	-	-	-----	1006194 QB,QBE,SB,SBE,VB,VBE			
			4	-	-	-	-----	1006549 LJ,LJE			
			-	4	-	-	-----	1006090			
			93500-06008-0A	4	-	-	-	-----	LNE,PAA,WJE
						4	-	-	-	-----	1006091 LH,LHE,QA,QAA,QAAE,QAE,QH,QHE,QX,QXE,SH,SHE,STE,SX,SXE,VA,VAA
						4	-	-	-	-----	VAAE,VH,VHE,VX,VXE,WA,WAA,WH,WX
						4	-	-	-	-----	1006147 VAE
						4	-	-	-	-----	1006191 SJ,SJE,WJ
						4	-	-	-	-----	1006195 QB,QBE,SB,SBE,VB,VBE
4	-	-				-	-----	1006550 LJ,LJE			
-	4	-				-	-----	1006091			
14	94301-06100	DOWEL PIN, 6X10				-	-	4	4	-----	
						-	(1)	-	-	-----	1004885
15	95001-75400-40	TUBE, FUEL, 7.3X400 (95001-75001-60M)				1	-	-	-	-----	1004886
						1	-	-	-	-----	1008404 STE
						1	-	-	-	-----	1008405 STE
95001-75250-40	TUBE, FUEL, 7.3X250 (95001-75001-60M)				-	-	1	-	-----	STE
			-	-	1	-	-----	STE			
16	95002-41200-08	CLAMP, TUBE (D12)	1	-	1	-	-----	STE			
17	95005-70430-30	TUBE, 7X430(95005-70001-30M)	-	-	-	(1)	-----				
18	95701-06028-00	BOLT, FLANGE, 6X28	3	(3)	-	-	-----	1001169 QA,QAE,QH,QHE,QN,QNE,QX,QXE,Q1,SH,SHE,SJ,SN,SNE,SX,SXE,S1,VH			
			-	(3)	2	-	-----	VHE,VN,VNE,VX,VXE,V1,WH,WJ,WX,W1			
			-	(3)	-	-	-----	E1,LHQ4,QHE4,SHE4,SXQ4			
			-	(3)	-	-	-----	1004885 E1,L1			
			-	(3)	-	-	-----	1001170 1004885 Q1,S1,V1,W1			
			3	-	-	-	-----	LH,LHE,LJ,LJE,LNE,PAA,QAA,QAAE,QB,QBE,SB,SBE,STE,VA,VAA,VAAE			
			3	-	-	-	-----	VAE,VB,VBE,WA,WAA,WJE			
			3	-	-	-	-----	1001170 QA,QAE,QH,QHE,QN,QNE,QX,QXE,SH,SHE,SJ,SN,SNE,SX,SXE,VH,VHE,VN			
			3	-	-	-	-----	VNE,VX,VXE,WH,WJ,WX			
			-	3	-	-	-----	1001208 SJE			
19	95701-06045-00	BOLT, FLANGE, 6X45	-	-	3	(N)	-----				
			-	-	-	(1)	-----	1004886			
			-	-	-	(1)	-----				

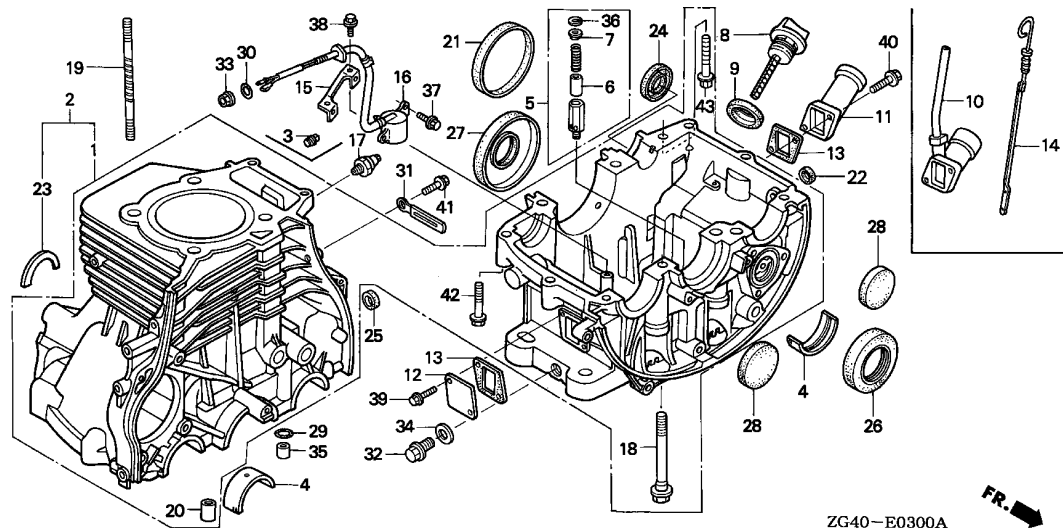




Service item	F.R.T.
BOLT, STUD, 6X32 (ADD 0.1 FOR EACH.)	0.2
BOLT, STUD, 8X28 (ADD 0.1 FOR EACH.)	0.9
GASKET, CYLINDER HEAD	1.5
HEAD COMP., CYLINDER	

2

Ref. No.	Part No.	Description	Reqd. QTY				Serial No.	Parts catalogue code
			GD 320 (1)	GD 320 (2)	GD 321 (1)	GD 321 (2)		
1	12200-ZG4-000	HEAD COMP., CYLINDER	1	1	-	-	1001169	E1,QA,QAE,QH,QHE,QN,QNE,QX,QXE,Q1,SH,SHE,SJ,SJE,SN,SNE,SX,SXE S1,VH,VHE,VN,VNE,VX,VXE,V1,WH,WJ,WX,W1
	12200-ZG4-010	HEAD COMP., CYLINDER (122A0-ZG4-010)	1	1	-	-		LH,LHE,LJ,LJE,L1,PAA,QAA,QAAE,QB,QBE,SB,SBE,STE,VA,VAA,VAE VAE,VB,VBE,WA,WAA
			1	1	-	-	1001170	E1,QA,QAE,QH,QHE,QN,QNE,QX,QXE,Q1,SH,SHE,SJ,SJE,SN,SNE,SX,SXE S1,VH,VHE,VN,VNE,VX,VXE,V1,WH,WJ,WX,W1
2	12216-ZE2-300	CLIP, VALVE GUIDE	-	-	1	1		
3	12218-ZG3-003	GUIDE, VALVE (O.S.)	(2)	(2)	(2)	(2)		
4	12251-ZG4-003	GASKET, CYLINDER HEAD (A) (1.1)	1	1	1	1		
	12252-ZG4-003	GASKET, CYLINDER HEAD (B) (1.2)	1	1	1	1		
	12253-ZG4-003	GASKET, CYLINDER HEAD (C) (1.3)	1	1	1	1		
	12254-ZG4-003	GASKET, CYLINDER HEAD (D) (1.4)	1	1	-	-		
5	90404-ZG3-000	WASHER, 10MM	1	-	-	-	1000020	QA,QAE,QH,QHE,QN,QNE,QX,QXE,Q1,SH,SHE,SN,SNE,SX,SXE,S1,VH,VHE VN,VNE,VX,VXE,V1,WH,WX,W1
			4	4	4	4	1000167	SJ,SJE,WJ
6	92900-06032-3B	BOLT, STUD, 6X32	2	2	2	2		
7	92900-08028-0B	BOLT, STUD, 8X28	2	2	2	2		
8	94050-10000	NUT, FLANGE, 10MM	4	4	4	4		
9	94301-12200	DOWEL PIN, 12X20	-	(2)	-	-	1004885	
			2	-	2	2		
			-	2	-	-	1004886	
10	95701-06028-00	BOLT, FLANGE, 6X28	2	2	2	2		

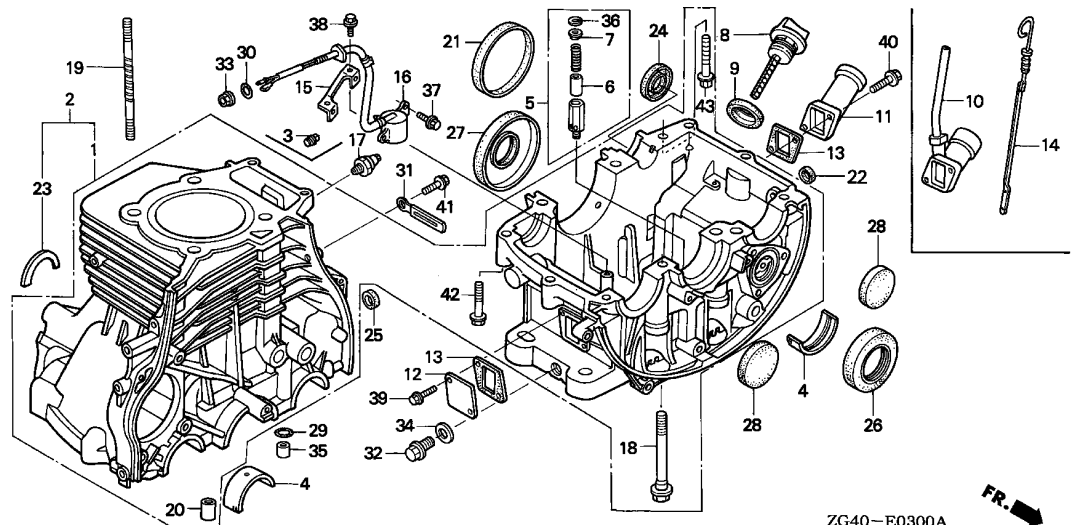


ZG40-E0300A

Service item	F.R.T.
EXTENSION COMP., OIL FILLER ..	0.1
.EXTENSION, OIL FILLER	
.PACKING, EXTENSION OIL FILLER	
SWITCH, OIL PRESSURE	0.2
VALVE, RELIEF	1.0
PLUG, SEALING, 47MM	1.1
.PLUG, SEALING, 80X8	
O-RING, 14MM	1.2
.SWITCH ASSY., OIL LEVEL	
BEARING A, MAIN	1.6
BARREL ASSY., CYLINDER	2.8

Ref. No.	Part No.	Description	Reqd. QTY				Serial No.	Parts catalogue code
			GD 320	GD 320	GD 321	GD 321		
1	12000-ZG4-000	BARREL ASSY., CYLINDER	1	(1)	1	(1)	----- E1,SB,SH,SJ,SN,SX, SXQ4,S1	
			1	(1)	-	-	----- 1000646 WJ,W1	
			1	-	-	-	----- 1001196 WH,WX	
	12000-ZG4-600	1	(1)	1	(1)	----- QA,QAA,QB,QH,QN,QX,Q1,VA,VAA,VB,VGB,VH,VN,VX,V1	
	12000-ZG4-610	1	(1)	1	(1)	----- LH,LHQ4,LJ,L1	
	12000-ZG4-800	BARREL ASSY., CYLINDER (SEL)	1	(1)	1	(1)	----- E1,SBE,SHE,SHE4,SJE,SNE,STE,SXE,S1,W1	
			-	(1)	-	-	----- L1	
	12000-ZG4-820	1	(1)	1	(1)	----- QAAE,QAE,QBE,QHE,QHE4,QNE,QXE,Q1,VAAE,VAE,VBE,VHE,VNE,VXE,V1	
	12000-ZG4-830	1	(1)	1	(1)	----- LHE,LJE,LNE,L1	
	12000-ZG4-840	1	(1)	1	(1)	----- WJE,W1	
	12000-ZJ8-710	BARREL ASSY., CYLINDER (OIL ALERT)	-	-	-	(1)	----- W1	
	12000-ZJ8-860	-	-	-	(1)	----- E1,S1	
	12000-ZJ8-870	-	-	-	(1)	----- Q1,V1	
	12000-ZJ8-880	-	-	-	(1)	----- L1	
	12000-ZG4-711	-	(1)	-	(1)	----- W1	
	12000-ZG4-861	-	(1)	-	(1)	----- E1,S1	
	12000-ZG4-871	-	(1)	-	(1)	----- L1	
	12000-ZG4-891	-	(1)	-	(1)	----- Q1,V1	
2	12000-ZG4-630	BARREL ASSY., CYLINDER	1	1	-	-	----- 1000647 WJ,W1	
			1	-	1	(1)	----- WA,WAA,W1	
			1	-	-	-	----- 1001197 WH,WX	
			-	-	1	-	----- WH,WJ,WX	
	12000-ZG4-650	1	-	1	-	----- PAA	
3	12105-ZA0-701	BOLT, SEALING	-	-	1	-	----- LH,LHQ4,QHE,QHE4,SHE,SHE4,SX, SXQ4,VGB	
4	13321-ZG4-003	BEARING A, MAIN (BLUE)	2	2	2	2		
	13322-ZG4-003	BEARING B, MAIN (BLACK)	2	2	2	2		
	13323-ZG4-003	BEARING C, MAIN (BROWN)	2	2	2	2		
	13324-ZG4-003	BEARING D, MAIN (GREEN)	2	2	2	2		



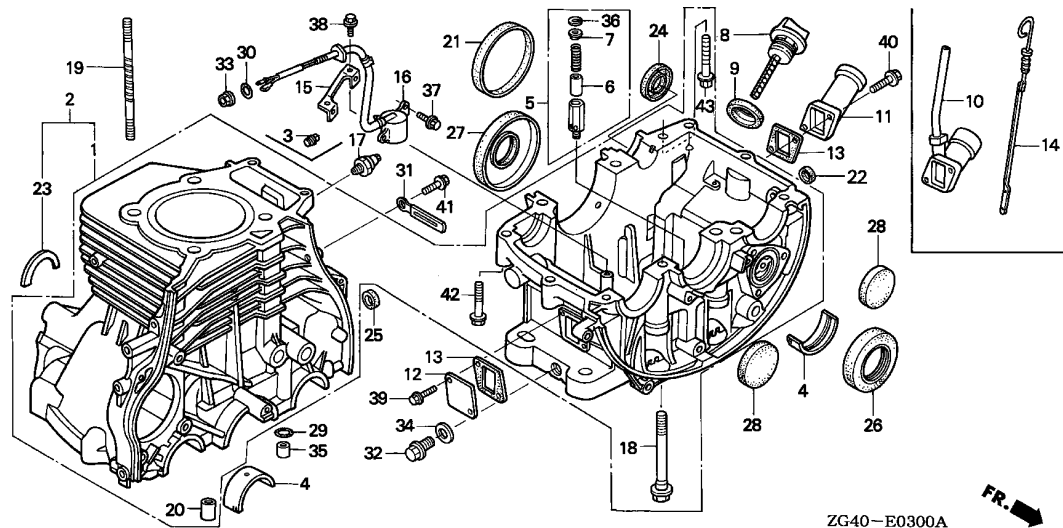


ZG40-E0300A

Ref. No.	Part No.	Description	Reqd. QTY				Serial No.	Parts catalogue code
			GD 320 (1)	GD 320 (2)	GD 321 (1)	GD 321 (2)		
(4)	13325-ZG4-003	BEARING E, MAIN (YELLOW)	2	2	2	2		
	13326-ZG4-003	BEARING F, MAIN (PINK)	2	2	2	2		
	13327-ZG4-003	BEARING G, MAIN (RED)	2	2	2	2		
	13332-ZG4-000	BEARING A, MAIN (UNDER SIZE 0.25)(BLACK)	(2)	-	(2)	-	-----	LHQ4,LJ,LJE,LNE,PAA,QA,QAA,QAAE,QAE,QH,QHE,QHE4,QX,QXE,SH,SHE SHE4,SJ,SJE,STE,SX,SXE,SXQ4,VA,VAA,VA AE,VAE,VGB,VH,VHE,VX,VXE WA,WAA,WH,WJ,WJE,WX
			(2)	-	(2)	-	-----	E1,LH,LHE,QB,QBE,QN,QNE,Q1,S1,VB,VBE,VN,VNE,V1,W1
			-	(2)	-	-		
	13333-ZG4-000	BEARING B, MAIN (UNDER SIZE 0.25)(BROWN)	(2)	-	(2)	-	-----	LHQ4,LJ,LJE,LNE,PAA,QA,QAA,QAAE,QAE,QH,QHE,QHE4,QX,QXE,SH,SHE SHE4,SJ,SJE,STE,SX,SXE,SXQ4,VA,VAA,VA AE,VAE,VGB,VH,VHE,VX,VXE WA,WAA,WH,WJ,WJE,WX
			(2)	-	(2)	-	-----	E1,LH,LHE,QB,QBE,QN,QNE,Q1,S1,VB,VBE,VN,VNE,V1,W1
			-	(2)	-	-		
	13334-ZG4-000	BEARING C, MAIN (UNDER SIZE 0.25)(GREEN)	(2)	-	(2)	-	-----	LHQ4,LJ,LJE,LNE,PAA,QA,QAA,QAAE,QAE,QH,QHE,QHE4,QX,QXE,SH,SHE SHE4,SJ,SJE,STE,SX,SXE,SXQ4,VA,VAA,VA AE,VAE,VGB,VH,VHE,VX,VXE WA,WAA,WH,WJ,WJE,WX
			(2)	-	(2)	-	-----	E1,LH,LHE,QB,QBE,QN,QNE,Q1,S1,VB,VBE,VN,VNE,V1,W1
			-	(2)	-	-		
	13336-ZG4-000	BEARING A, MAIN (UNDER SIZE 0.50)(BLACK)	(2)	-	(2)	-	-----	LHQ4,LJ,LJE,LNE,PAA,QA,QAA,QAAE,QAE,QH,QHE,QHE4,QX,QXE,SH,SHE SHE4,SJ,SJE,STE,SX,SXE,SXQ4,VA,VAA,VA AE,VAE,VGB,VH,VHE,VX,VXE WA,WAA,WH,WJ,WJE,WX
			(2)	-	(2)	-	-----	E1,LH,LHE,QB,QBE,QN,QNE,Q1,S1,VB,VBE,VN,VNE,V1,W1
			-	(2)	-	-		

Ref. No.	Part No.	Description	Reqd. QTY				Serial No.	Parts catalogue code
			GD 320 (1)	GD 320 (2)	GD 321 (1)	GD 321 (2)		
(4)	13337-ZG4-000	BEARING B, MAIN (UNDER SIZE 0.50)(BROWN)	(2)	-	(2)	-	LHQ4, LJ, LJE, LNE, PAA, QA, QAA, QAAE, QAE, QH, QHE, QHE4, QX, QXE, SH, SHE, SHE4, SJ, SJE, STE, SX, SXE, SXQ4, VA, VAA, VAAE, VAE, VGB, VH, VHE, VX, VXE, WA, WAA, WH, WJ, WJE, WX	
			(2)	-	(2)	-	E1, LH, LHE, QB, QBE, QN, QNE, Q1, S1, VB, VBE, VN, VNE, V1, W1	
	13338-ZG4-000	BEARING C, MAIN (UNDER SIZE 0.50)(GREEN)	(2)	-	(2)	-	LHQ4, LJ, LJE, LNE, PAA, QA, QAA, QAAE, QAE, QH, QHE, QHE4, QX, QXE, SH, SHE, SHE4, SJ, SJE, STE, SX, SXE, SXQ4, VA, VAA, VAAE, VAE, VGB, VH, VHE, VX, VXE, WA, WAA, WH, WJ, WJE, WX	
			(2)	-	(2)	-	E1, LH, LHE, QB, QBE, QN, QNE, Q1, S1, VB, VBE, VN, VNE, V1, W1	
	13342-ZG4-000	BEARING A, MAIN (UNDER SIZE 0.75)(BLACK)	(2)	-	(2)	-	LHQ4, LJ, LJE, LNE, PAA, QA, QAA, QAAE, QAE, QH, QHE, QHE4, QX, QXE, SH, SHE, SHE4, SJ, SJE, STE, SX, SXE, SXQ4, VA, VAA, VAAE, VAE, VGB, VH, VHE, VX, VXE, WA, WAA, WH, WJ, WJE, WX	
			(2)	-	(2)	-	E1, LH, LHE, QB, QBE, QN, QNE, Q1, S1, VB, VBE, VN, VNE, V1, W1	
	13343-ZG4-000	BEARING B, MAIN (UNDER SIZE 0.75)(BROWN)	(2)	-	(2)	-	LHQ4, LJ, LJE, LNE, PAA, QA, QAA, QAAE, QAE, QH, QHE, QHE4, QX, QXE, SH, SHE, SHE4, SJ, SJE, STE, SX, SXE, SXQ4, VA, VAA, VAAE, VAE, VGB, VH, VHE, VX, VXE, WA, WAA, WH, WJ, WJE, WX	
			(2)	-	(2)	-	E1, LH, LHE, QB, QBE, QN, QNE, Q1, S1, VB, VBE, VN, VNE, V1, W1	
	13344-ZG4-000	BEARING C, MAIN (UNDER SIZE 0.75)(GREEN)	(2)	-	(2)	-	LHQ4, LJ, LJE, LNE, PAA, QA, QAA, QAAE, QAE, QH, QHE, QHE4, QX, QXE, SH, SHE, SHE4, SJ, SJE, STE, SX, SXE, SXQ4, VA, VAA, VAAE, VAE, VGB, VH, VHE, VX, VXE, WA, WAA, WH, WJ, WJE, WX	
			(2)	-	(2)	-	E1, LH, LHE, QB, QBE, QN, QNE, Q1, S1, VB, VBE, VN, VNE, V1, W1	
5	15220-413-020	VALVE ASSY., RELIEF	1	1	1	1		
6	15231-413-020	VALVE, RELIEF	1	1	1	1		
7	15233-413-000	SEAT, RELIEF VALVE	1	1	1	1		
8	15620-ZG3-000	CAP, OIL FILLER	1	1	1	1		
9	15625-750-800	PACKING, OIL FILLER CAP	1	1	-	-	1003936 L1, SJ, SJE, WJ	
			1	1	-	-	1003941 E1, QA, QAE, QH, QHE, QX, QXE, Q1, SH, SHE, SX, SXE, S1, VH, VHE, VX, VXE, V1, WH, WX, W1	
			1	-	-	-	QN, QNE, SN, SNE, VN, VNE	
			1	-	-	-	1003953 QB, QBE, SB, SBE, VB, VBE	
			1	-	-	-	1004390 LH, LHE	
			1	-	-	-	1004823 LJ, LJE	
	15625-ZE8-000	1	1	-	-	1003937 L1, SJ, SJE, WJ	
			1	1	-	-	1003942 E1, QA, QAE, QH, QHE, QX, QXE, Q1, SH, SHE, SX, SXE, S1, VH, VHE, VX, VXE, V1, WH, WX, W1	
			1	-	-	-	LNE, PAA, QAA, QAAE, STE, VA, VAA, VAAE, VAE, WA, WAA, WJE	
			1	-	-	-	1003954 QB, QBE, SB, SBE, VB, VBE	
			1	-	-	-	1004391 LH, LHE	
			1	-	-	-	1004824 LJ, LJE	
			-	-	1	1		
10	15630-ZG4-910	EXTENSION COMP., OIL FILLER .	1	-	1	-	STE	
11	15631-ZG3-000	EXTENSION, OIL FILLER	1	-	1	-	LH, LHE, LHQ4, LJ, LJE, LNE, PAA, QA, QAA, QAAE, QAE, QB, QBE, QH, QHE, QHE4, QN, QNE, QX, QXE, SB, SBE, SH, SHE, SHE4, SJ, SJE, SN, SNE, SX, SXE, SXQ4, VA, VAA, VAAE, VAE, VB, VBE, VGB, VH, VHE, VN, VNE, VX, VXE, WA, WAA, WH, WJ, WJE, WX	
			-	1	-	1		
12	15634-ZG3-000	PLATE, EXTENSION	1	1	1	1		





ZG40-E0300A



Ref. No.	Part No.	Description	Reqd. QTY				Serial No.	Parts catalogue code
			GD 320 (1)	GD 320 (2)	GD 321 (1)	GD 321 (2)		
13	15635-ZG3-000	PACKING, EXTENSION OIL FILLER	2	-	-	-	LH,LHE,LJ,LJE,LNE,QB,QBE,QN,QNE,SB,SBE,SN,SNE,VB,VBE,VN,VNE	
			2	-	-	-	1008849 SJ,SJE,WJ,WJE	
			2	-	-	-	1008874 PAA,QA,QAA,QAAE,QAE,QH,QHE,QX,QXE,SH,SHE,STE,SX,SXE,VA,VAA	
							VAAE,VAE,VH,VHE,VX,VXE,WA,WAA,WH,WX	
	15635-ZG3-800	PACKING, EXTENSION OIL FILLER (NON ASBEST)	-	(2)	-	-	L1	
			-	(2)	-	-	1008886 E1,Q1,S1,V1,W1	
			-	-	2	2		
			2	-	-	-	1008850 SJ,SJE,WJ,WJE	
			2	-	-	-	1008875 PAA,QA,QAA,QAAE,QAE,QH,QHE,QX,QXE,SH,SHE,STE,SX,SXE,VA,VAA	
							VAAE,VAE,VH,VHE,VX,VXE,WA,WAA,WH,WX	
			-	2	-	-	1008887 E1,Q1,S1,V1,W1	
14	15650-ZG4-910	GAUGE COMP., OIL LEVEL	1	-	1	-	LHQ4,QHE4,SHE4,SXQ4	
15	35418-ZG3-610	STAY, OIL LEVEL SWITCH	-	(1)	-	-	STE	
			-	-	-	(1)	L1,Q1,S1,V1,W1	
16	35480-ZG3-611	SWITCH ASSY., OIL LEVEL	-	(1)	-	-	L1,Q1,S1,V1,W1	
			-	-	-	(1)		
17	37240-ZG5-004	SWITCH, OIL PRESSURE	1	-	1	-	STE	
18	90005-ZG3-003	BOLT-WASHER, 11X115	4	(4)	4	(4)		
19	90020-ZG3-003	BOLT, STUD, 10X103.5	-	(4)	-	-	1004885	
			4	-	4	4		
			-	4	-	-	1004886	
20	90715-PC6-000	DOWEL PIN, 13X20	3	(3)	3	(3)		
21	90805-ZG4-610	PLUG, SEALING, 80X8	1	1	-	-	1004390 LH,LHE,L1	
			1	-	-	-	1004823 LJ,LJE	

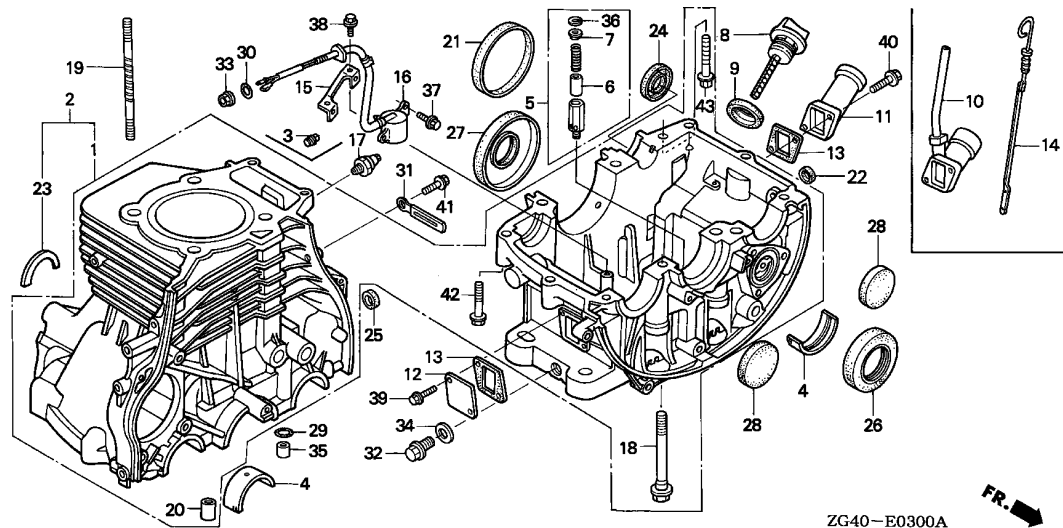
E-3

CYLINDER BARREL

D 8

Ref. No.	Part No.	Description	Reqd. QTY				Serial No.	Parts catalogue code
			GD 320 (1)	GD 320 (2)	GD 321 (1)	GD 321 (2)		
21)	90805-ZG4-611	PLUG, SEALING, 80X10	1	1	-	-	1004391	LH,LHE,L1 LHQ4,LNE
			1	-	1	-	1004824	LJ,LJE LH,LHE,LJ,LJE,L1
22	90851-ZG3-000	PLUG, SEALING	1	-	1	-		LNE
	91201-ZE9-003	OIL SEAL, 8X14X5	-	(1)	-	(1)		LNE
23	91003-ZG4-000	SET RING, 80	1	-	1	-		LH,LHE,LHQ4,LNE,PAA,QA,QAA,QAAE,QAE,QB,QBE,QH,QHE,QHE4,QN,QNE QX,QXE,SB,SBE,SH,SHE,SHE4,SN,SNE,STE,SX,SXE, SXQ4,VA,VAA,VAAE VAE,VB,VBE,VGB,VH,VHE,VN,VNE,VX,VXE,WA,WAA,WH,WX WJE 1000647 WJ
			1	-	1	-		WJ
24	91201-ZE3-004	OIL SEAL, 35X52X8	1	1	1	1		LH,LHE,LHQ4,LJ,LJE,LNE,L1
25	91201-ZE9-003	OIL SEAL, 8X14X5	1	-	1	-		LH,LHE,LHQ4,LJ,LJE,PAA,QA,QAA,QAAE,QAE,QB,QBE,QH,QHE,QHE4,QN QNE,QX,QXE,SB,SBE,SH,SHE,SHE4,SJ,SJE,SN,SNE,STE,SX,SXE, SXQ4,VA VAA,VAAE,VAE,VB,VBE,VGB,VH,VHE,VN,VNE,VX,VXE,WA,WAA,WH,WJ,WJE WX
			-	(1)	-	(1)		
26	91201-ZG4-000	OIL SEAL, 37X66X10	1	1	-	-	1001169	QA,QAE,QH,QHE,QN,QNE,QX,QXE,Q1,SH,SHE,SJ,SJE,SN,SNE,SX,SXE,S1 VH,VHE,VN,VNE,VX,VXE,V1,WH,WJ,WX,W1
	91201-ZG4-003	OIL SEAL, 37X64X10	1	1	-	-		E1,LH,LHE,LJ,LJE,LNE,L1,PAA,QAA,QAAE,QB,QBE,SB,SBE,STE,VA,VAA VAAE,VAE,VB,VBE,WA,WAA,WJE
			1	1	-	-	1001170	QA,QAE,QH,QHE,QN,QNE,QX,QXE,Q1,SH,SHE,SJ,SJE,SN,SNE,SX,SXE,S1 VH,VHE,VN,VNE,VX,VXE,V1,WH,WJ,WX,W1
27	91202-ZG4-000	OIL SEAL, 31X80X10	1	1	-	-	1001169	QA,QAE,QH,QHE,QN,QNE,QX,QXE,Q1,SH,SHE,SJ,SJE,SN,SNE,SX,SXE,S1 VH,VHE,VN,VNE,VX,VXE,V1,WH,WJ,WX,W1
	91202-ZG4-003		1	1	1	1		E1,PAA,QAA,QAAE,QB,QBE,QHE4,SB,SBE,SHE4,STE, SXQ4,VA,VAA,VAAE VAE,VB,VBE,VGB,WA,WAA,WJE
			1	1	-	-	1001170	QA,QAE,QH,QHE,QN,QNE,QX,QXE,Q1,SH,SHE,SJ,SJE,SN,SNE,SX,SXE,S1 VH,VHE,VN,VNE,VX,VXE,V1,WH,WJ,WX,W1
			-	-	1	1		QA,QAE,QH,QHE,QX,QXE,Q1,SH,SHE,SJ,SJE,SX,SXE,S1,VH,VHE,VX,VXE V1,WH,WJ,WX,W1
28	91204-ZG3-000	PLUG, SEALING, 47MM	2	1	-	-	1001430	QA,QAE,QH,QHE,QN,QNE,QX,QXE,Q1,SH,SHE,SJ,SJE,SN,SNE,SX,SXE,S1 VH,VHE,VN,VNE,VX,VXE,V1,WH,WJ,WX,W1
	91204-ZG3-003		2	-	-	-		LH,LHE,LJ,LJE,LNE,PAA,QAA,QAAE,QB,QBE,SB,SBE,STE,VA,VAA,VAAE VAE,VB,VBE,WA,WAA,WJE
			2	-	-	-	1001431	QA,QAE,QH,QHE,QN,QNE,QX,QXE,SH,SHE,SJ,SJE,SN,SNE,SX,SXE,VH,VHE VN,VNE,VX,VXE,WH,WJ,WX
			-	1	-	-	1004885	E1,L1
			-	1	-	-	1001431	1004885 Q1,S1,V1,W1
			-	2	-	-	1004886	
	91204-ZG3-000		-	(1)	-	-	1001430	Q1,S1,V1,W1
	91204-ZG3-003		-	(1)	-	-	1004885	E1,L1
			-	(1)	-	-	1001431	1004885 Q1,S1,V1,W1
29	91301-812-000	O-RING, 10MM	-	(1)	-	-	1004885	
			1	-	1	1		
			-	1	-	-	1004886	
30	91353-671-004	O-RING, 14MM(NOK)	-	(1)	-	-		L1,Q1,S1,V1,W1
			-	-	-	(1)		
31	91405-MG1-000	CLIP, WIRE HARNESS	1	-	1	-		STE

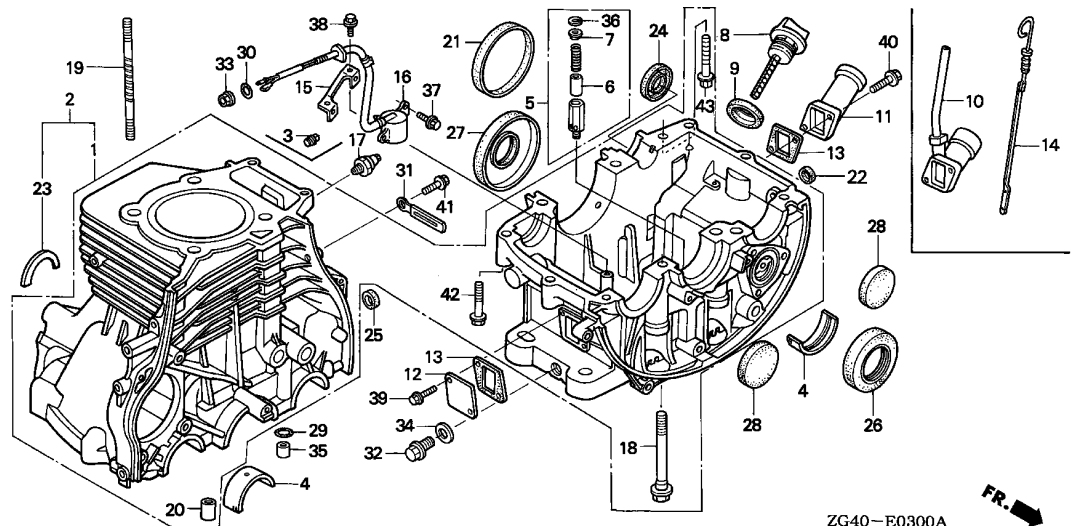




ZG40-E0300A



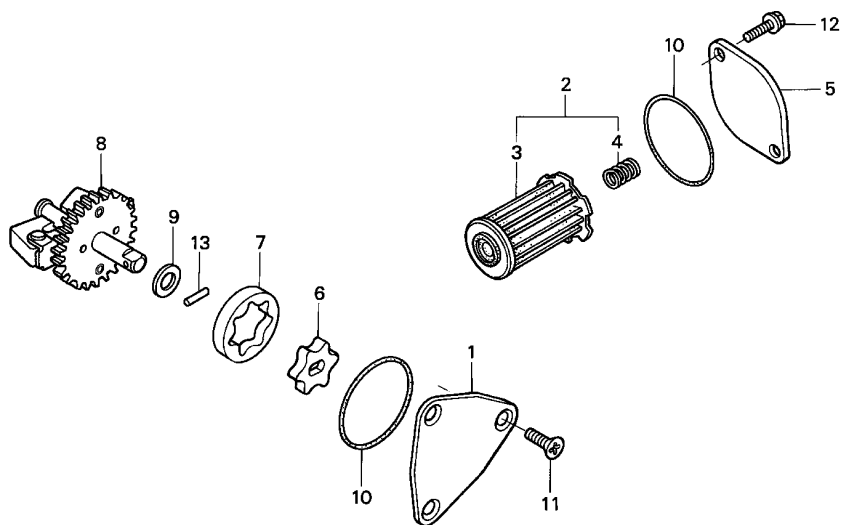
Ref. No.	Part No.	Description	Reqd. QTY				Serial No.	Parts catalogue code
			GD 320 (1)	GD 320 (2)	GD 321 (1)	GD 321 (2)		
32	92800-14000	BOLT, DRAIN PLUG, 14MM	-	(1)	-	-		
			1	-	1	1	1004886	
33	94050-10000	NUT, FLANGE, 10MM	-	(1)	-	-		----- L1,Q1,S1,V1,W1
34	94109-14000	WASHER, DRAIN PLUG, 14MM	-	(1)	-	(1)	1004885	
35	94301-10160	DOWEL PIN, 10X16	-	(1)	-	-	1004886	
			1	-	1	1	1004885	
			-	1	-	-	1004886	
36	94520-12000	CIRCLIP, INTERNAL, 12MM	1	1	1	1		
37	95701-06012-08	BOLT, FLANGE, 6X12	-	(2)	-	-		----- L1,Q1,S1,V1,W1
			-	-	-	(2)		
38	95701-06014-08	BOLT, FLANGE, 6X14	-	(2)	-	-		----- L1,Q1,S1,V1,W1
			-	-	-	(2)	1000112	
	90013-883-000	BOLT, FLANGE, 6X12(CT200)	-	-	-	(2)	1000113	
39	95701-06016-00	BOLT, FLANGE, 6X16	2	2	2	2		
40	95701-06022-00	BOLT, FLANGE, 6X22	2	2	2	2		
41	95701-08016-00	BOLT, FLANGE, 8X16	1	-	1	-		----- STE



ZG40-E0300A

Ref. No.	Part No.	Description	Reqd. QTY				Serial No.	Parts catalogue code
			GD 320 (1)	GD 320 (2)	GD 321 (1)	GD 321 (2)		
42	95701-08040-00	BOLT, FLANGE, 8X40	7	(7)	-	-	1003236	QA,QAE,QH,QHE,QX,QXE,Q1,SH,SHE,SJ,SJE,SN,SNE,SX,SXE,S1,VH,VHE VX,VXE,V1,WH,WJ,WX,W1
			6	(6)	-	-		E1,LH,LHE,LJ,LJE,LNE,L1,PAA,QAA,QAAE,QB,QBE,QN,QNE,SB,SBE,STE VA,VAA,VAE,VAE,VB,VBE,VN,VNE,WA,WAA,WJE
			6	(6)	-	-	1003237	QA,QAE,QH,QHE,QX,QXE,Q1,SH,SHE,SJ,SJE,SN,SNE,SX,SXE,S1,VH,VHE VX,VXE,V1,WH,WJ,WX,W1
			-	-	6	-		V1
			-	-	(6)	-		E1,L1,Q1,S1
43	95701-08050-00	BOLT, FLANGE, 8X50	1	(1)	-	-		E1,LH,LHE,LJ,LJE,LNE,L1,PAA,QAA,QAAE,QB,QBE,QN,QNE,SB,SBE,STE VA,VAA,VAE,VAE,VB,VBE,VN,VNE,WA,WAA,WJE
			1	(1)	-	-	1003237	QA,QAE,QH,QHE,QX,QXE,Q1,SH,SHE,SJ,SJE,SN,SNE,SX,SXE,S1,VH,VHE VX,VXE,V1,WH,WJ,WX,W1
			-	-	1	(1)		





ZG40-E0500A



Service item	F.R.T.
STRAINER, OIL	0.1
STRAINER COMP., OIL	0.2
ROTOR, OIL PUMP INNER	0.8
.ROTOR, OIL PUMP OUTER	
WEIGHT COMP., GOVERNOR	1.1

Ref. No.	Part No.	Description	Reqd. QTY				Serial No.	Parts catalogue code
			GD 320 (1)	GD 320 (2)	GD 321 (1)	GD 321 (2)		
1	15121-ZG3-000	COVER, OIL PUMP	1	1	1	1		
2	15220-ZG3-000	STRAINER COMP., OIL	1	-	-	-	1007019	LNE,PAA,WJE LH,LHE,QA,QAA,QAAE,QAE,QH,QHE,QX,QXE,SH,SHE,STE,SX,SXE,VA,VAA VAAE,VH,VHE,VX,VXE,WA,WAA,WH,WX VAE SJ,SJE,WJ QB,QBE,SB,SBE,VB,VBE LJ,LJE
3	15221-ZG3-000	STRAINER, OIL	1	-	-	-	1007018	QN,QNE,SN,SNE,VN,VNE LH,LHE,QA,QAA,QAAE,QAE,QH,QHE,QX,QXE,SH,SHE,STE,SX,SXE,VA,VAA VAAE,VH,VHE,VX,VXE,WA,WAA,WH,WX VAE SJ,SJE,WJ QB,QBE,SB,SBE,VB,VBE LJ,LJE
4	15223-ZG3-000	SPRING, OIL STRAINER	1	-	-	-	1007018	QN,QNE,SN,SNE,VN,VNE LH,LHE,QA,QAA,QAAE,QAE,QH,QHE,QX,QXE,SH,SHE,STE,SX,SXE,VA,VAA VAAE,VH,VHE,VX,VXE,WA,WAA,WH,WX VAE SJ,SJE,WJ QB,QBE,SB,SBE,VB,VBE LJ,LJE

E-5

OIL PUMP

D12

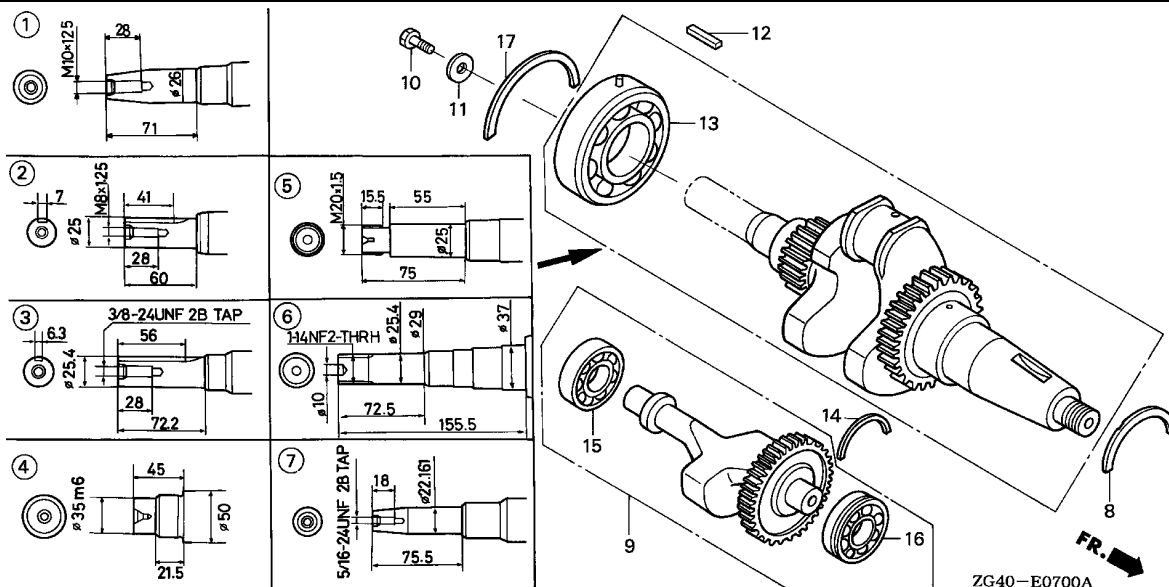
Ref. No.	Part No.	Description	Reqd. QTY				Serial No.	Parts catalogue code
			GD 320 (1)	GD 320 (2)	GD 321 (1)	GD 321 (2)		
(4)	15223-ZG3-300	SPRING, OIL STRAINER	1	-	-	-	----- LNE,PAA,WJE	
			1	-	-	1007019	----- LH,LHE,QA,QAA,QAAE,QAE,QH,QHE,QX,QXE,SH,SHE,STE,SX,SXE,VA,VAA VAAE,VH,VHE,VX,VXE,WA,WAA,WH,WX	
			1	-	-	1007199	----- VAE	
			1	-	-	1007288	----- SJ,SJE,WJ	
			1	-	-	1007402	----- QB,QBE,SB,SBE,VB,VBE	
			1	-	-	1007557	----- LJ,LJE	
			-	1	-	1007019		
			-	-	1	1		
5	15224-ZG3-000	COVER, OIL STRAINER	1	1	1	1		
6	15331-ZG3-003	ROTOR, OIL PUMP INNER	1	1	-	-	----- 1002505 QA,QAE,QH,QHE,QN,QNE,QX,QXE,Q1,SH,SHE,SN,SNE,SX,SXE,S1,VH,VHE VN,VNE,VX,VXE,V1,WH,WX,W1	
	15331-ZG3-013	1	-	-	-	----- 1003936 SJ,SJE,WJ	
			1	1	-	-	----- E1,LH,LHE,LJ,LJE,LNE,L1,PAA,QAA,QAAE,QB,QBE,SB,SBE,STE,VA,VAA VAAE,VAE,VB,VBE,WA,WAA,WJE	
			1	1	-	-	----- 1002506 QA,QAE,QH,QHE,QN,QNE,QX,QXE,Q1,SH,SHE,SN,SNE,SX,SXE,S1,VH,VHE VN,VNE,VX,VXE,V1,WH,WX,W1	
			1	-	-	-	----- 1003937 SJ,SJE,WJ	
			-	-	1	1		
7	15341-ZG3-003	ROTOR, OIL PUMP OUTER	1	1	1	1		
8	16510-ZG3-010	WEIGHT COMP., GOVERNOR	1	1	1	1		
9	90443-ZG3-000	WASHER, 10.1MM	1	1	1	1		
10	91301-ZG3-000	O-RING, 42.2X2.4	2	2	2	2		
11	90011-ZG3-000	SCREW, FLAT, 6X16	3	-	-	-	----- PAA,VAE	
	93600-06016-0A	3	3	-	-	----- 1001169 QA,QAE,QH,QHE,QN,QNE,QX,QXE,Q1,SH,SHE,SN,SNE,SX,SXE,S1,VH,VHE VN,VNE,VX,VXE,V1,WH,WX,W1	
			3	-	-	-	----- 1000142 SJ,SJE,WJ	
	90011-ZG3-000	3	3	-	-	----- E1,LH,LHE,LJ,LJE,LNE,L1,QAA,QAAE,QB,QBE,SB,SBE,STE,VA,VAA,VAAE VB,VBE,WA,WAA,WJE	
			3	3	-	-	----- 1001170 QA,QAE,QH,QHE,QN,QNE,QX,QXE,Q1,SH,SHE,SN,SNE,SX,SXE,S1,VH,VHE VN,VNE,VX,VXE,V1,WH,WX,W1	
			3	-	-	-	----- 1000143 SJ,SJE,WJ	
			-	-	3	3		
12	95701-06016-00	BOLT, FLANGE, 6X16	2	2	2	2		
13	96220-30134	ROLLER, 3X13.4	1	1	1	1		

2

E-7

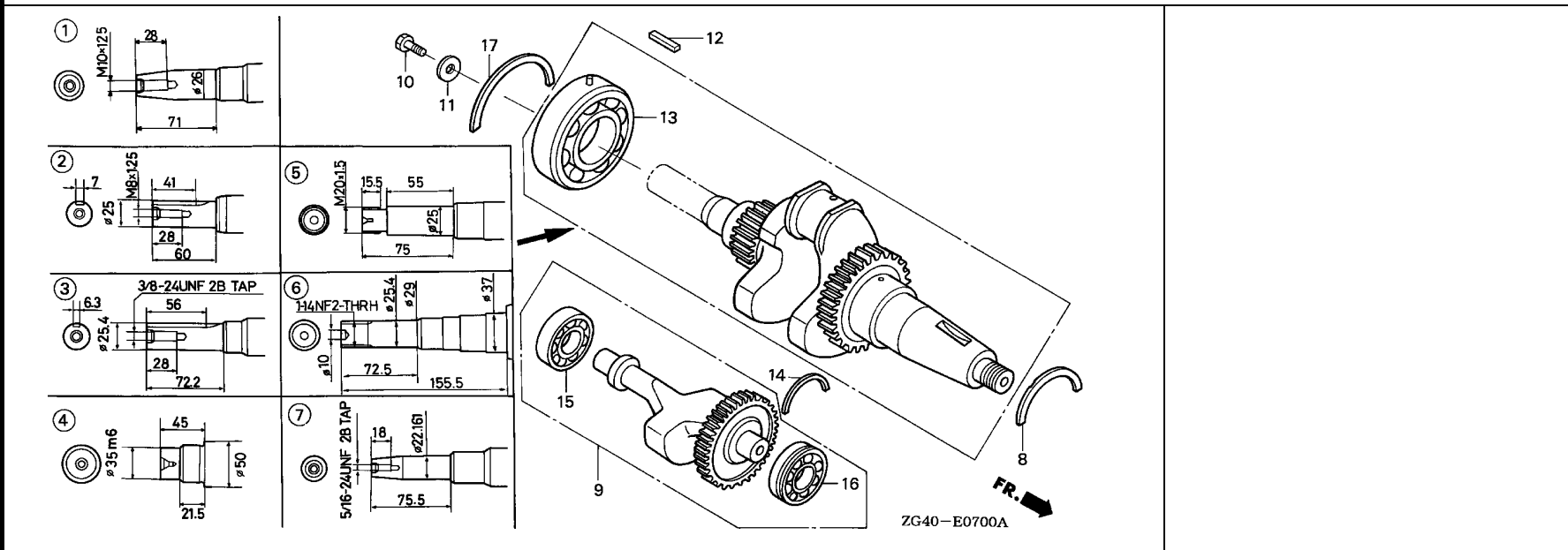
CRANKSHAFT

D13



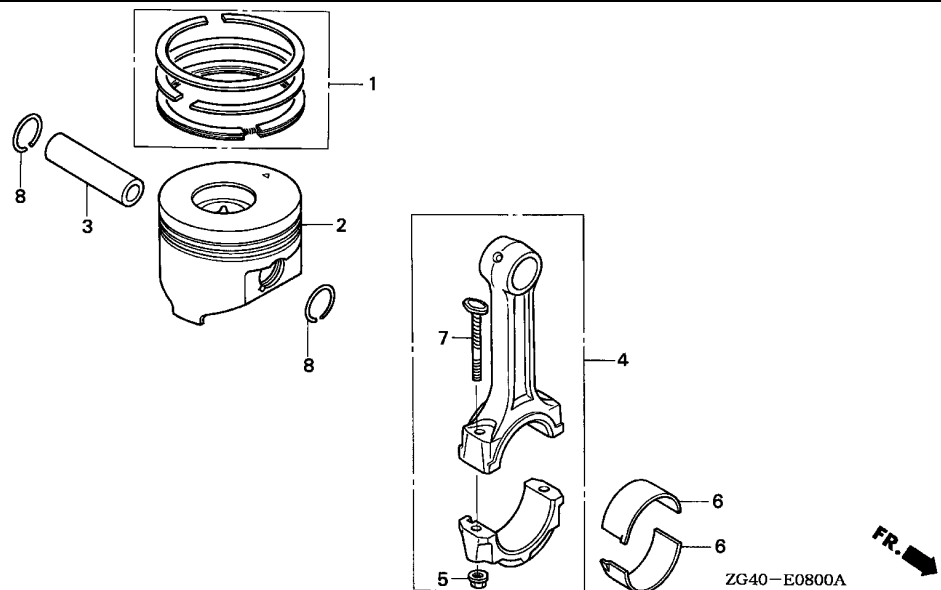
Service item	F.R.T.
WEIGHT COMP., BALANCER	1.2
BEARING, SPECIAL BALL, 6204 ..	1.3
CRANKSHAFT COMP.	1.6
BEARING, SPECIAL, 6307	1.8

Ref. No.	Part No.	Description	Reqd. QTY				Serial No.	Parts catalogue code
			GD 320 (1)	GD 320 (2)	GD 321 (1)	GD 321 (2)		
1	13310-ZG4-E00	CRANKSHAFT COMP.	-	1	-	1	----- E1	
2	13310-ZG4-000	CRANKSHAFT COMP.	1	1	1	1	----- SB,SBE,SH,SHE,SHE4,SJ,SJE,SN,SNE,STE,SX,SXE,SXQ4,S1	
3	13310-ZG4-600	CRANKSHAFT COMP.	1	1	1	1	----- QA,QAA,QAAE,QAE,QB,QBE,QH,QHE,QHE4,QN,QNE,QX,QXE,Q1	
4	13310-ZG4-610	CRANKSHAFT COMP.	1	1	1	1	----- LH,LHE,LHQ4,LJ,LJE,LNE,L1	
5	13310-ZG4-630	CRANKSHAFT COMP.	1	1	1	1	----- WA,WAA,WH,WJ,WJE,WX,W1	
6	13310-ZG4-650	CRANKSHAFT COMP.	1	-	1	-	----- PAA	
7	13310-ZG4-670	CRANKSHAFT COMP.	1	1	1	1	----- VA,VAA,VAE,VAE,VB,VBE,VGB,VH,VHE,VN,VNE,VX,VXE,V1	
8	13316-ZG4-000	BEARING, CRANKSHAFT THRUST (A) (BLUE)	1	1	1	1		
	13317-ZG4-000	BEARING, CRANKSHAFT THRUST (B) (BLACK)	1	1	1	1	----- PAA,WA,WAA,WH,WJ,WJE,WX,W1	
	13318-ZG4-000	BEARING, CRANKSHAFT THRUST (C) (BROWN)	1	1	1	1	----- PAA,WA,WAA,WH,WJ,WJE,WX,W1	
	13319-ZG4-000	BEARING, CRANKSHAFT THRUST (D) (GREEN)	1	1	1	1	----- PAA,WA,WAA,WH,WJ,WJE,WX,W1	
	13320-ZG4-000	BEARING, CRANKSHAFT THRUST (E) (YELLOW)	1	1	1	1	----- PAA,WA,WAA,WH,WJ,WJE,WX,W1	
	13328-ZG4-000	BEARING, CRANKSHAFT THRUST (F) (PINK)	1	1	-	-	1000708 ----- WH,WJ,WX,W1	
			1	-	1	1	----- PAA,WA,WAA,WJE,W1	
			-	-	1	-	----- WH,WJ,WX	
9	13350-ZG4-000	WEIGHT COMP., BALANCER	1	1	1	1		
10	90003-ZE3-600	BOLT, HEX., 3/8-24UNF(25MM) .	-	(1)	-	(1)	----- Q1	
	92000-08025-0A	BOLT, HEX., 8X25	1	-	-	-	1000143 ----- SJ,SJE	
	92101-08025-0A	-	(1)	(1)	(1)	----- E1,S1	
	92101-10025-0A	BOLT, HEX., 10X25	-	-	1	-	----- SJ,SJE	
			1	-	1	-	----- LJ,LJE,LNE	



Ref. No.	Part No.	Description	Reqd. QTY				Serial No.	Parts catalogue code	
			GD 320 (1)	GD 320 (2)	GD 321 (1)	GD 321 (2)			
11	90471-ZE3-000	WASHER, 10.5X40X4	-	(1)	-	(1)	-----	Q1	
	90534-706-010	WASHER, LOCK, 8MM	-	-	-	1000143	-----	SJ,SJE	
	90471-VB4-000	WASHER, 10.5X40X4	-	(1)	1	(1)	-----	E1,SJ,SJE,S1	
12	90741-805-000	KEY, 7X7X33	-	(1)	-	(1)	-----	LJ,LJE,LNE	
	90741-889-810	KEY, 7X7X33(YELLOW)	1	(1)	1	(1)	-----	E1,L1,S1	
			1	-	-	1000143	-----	E1,LH,LHE,LHQ4,L1,SB,SBE,SHE4,SN,SNE,STE,SXQ4,S1	
			1	-	-	1001170	-----	SJ,SJE	
			1	-	-	1001170	-----	SH,SHE,SX,SXE	
	90745-ZE2-600	KEY, 6.3X6.3X43	-	-	1	-	-----	LJ,LJE,LNE,SH,SHE,SJ,SJE,SX,SXE	
			1	-	1	-	-----	QAA,QAAE,QB,QBE,QHE4,QN,QNE	
			1	-	-	1000303	-----	QA,QAE,QH,QHE,QX,QXE	
	90741-889-810	KEY, 7X7X33(YELLOW)	1	(1)	1	(1)	-----	QA,QAE,QH,QHE,QX,QXE,Q1	
			-	-	1	-	-----	LJ,LJE,LNE	
			-	-	1	-	-----	SJ,SJE	
13	91001-ZG4-003	BEARING, SPECIAL, 6307	1	1	1	1	-----		
14	91006-ZG3-000	SET RING, 470	1	1	1	1	-----		
15	91007-ZG4-003	BEARING, SPECIAL BALL, 6204(B)	1	1	1	1	-----		
16	91008-ZG4-003	BEARING, SPECIAL BALL, 6204(C)	1	1	1	1	-----	LJ,LJE,LNE,SJ,SJE	
17	91003-ZG4-000	SET RING, 80	1	-	-	-	1000646	-----	WJ
			-	-	1	-	-----	WJ,WJE	



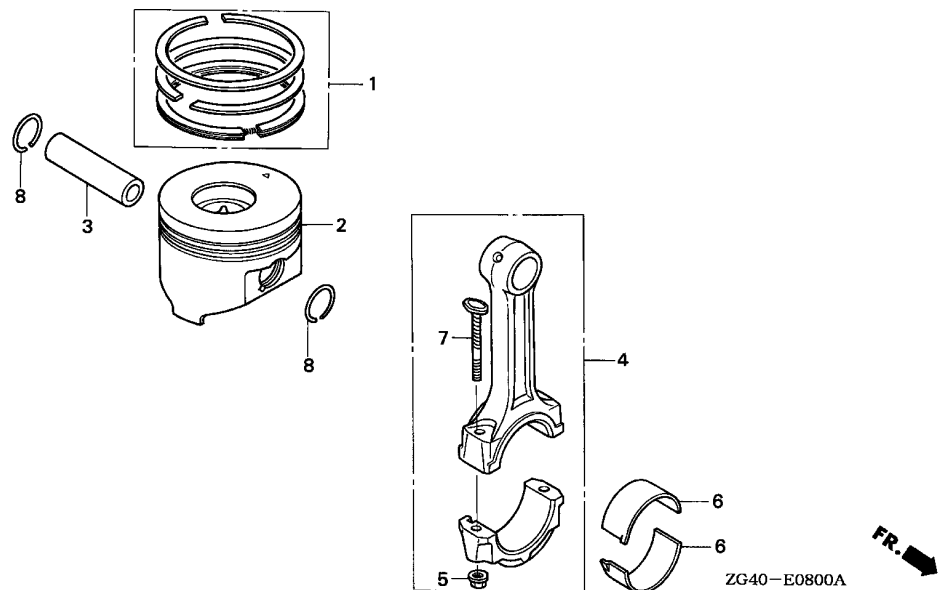


Service item	F.R.T.
BEARING A, CONNECTING ROD	2.1
ROD ASSY., CONNECTING	2.2
PISTON	2.5
.RING SET, PISTON	

Ref. No.	Part No.	Description	Reqd. QTY				Serial No.	Parts catalogue code
			GD 320 (1)	GD 320 (2)	GD 321 (1)	GD 321 (2)		
1	13010-ZG4-000	RING SET, PISTON (STD.)	1	-	-	-	LNE,PAA,QAA,QAAE,VA,VAA,VA AE,VAE,WA,WAA QB,QBE,SB,SBE 1000465 LH,LHE,LHQ4,LJ,LJE,LNE,PAA,QA,QAA,QAAE,QAE,QH,QHE,QHE4,QX,QXE SH,SHE,SHE4,SJ,SJE,STE,SX,SXE,SXQ4,VA,VAA,VA AE,VAE,VB,VBE,VGB VH,VHE,VX,VXE,WA,WAA,WH,WJ,WJE,WX	
	13010-ZG5-000		1	-	-	1	1000465 LH,LHE,LJ,LJE,QA,QAE,QB,QBE,QH,QHE,QN,QNE,QX,QXE,SB,SBE,SH,SHE SJ,SJE,SN,SNE,STE,SX,SXE,VB,VBE,VH,VHE,VN,VNE,VX,VXE,WH,WJ,WJE WX	
	13011-ZG4-000	RING SET, PISTON (0.25)	-	1	-	-	LNE,PAA,QAA,QAAE,VA,VAA,VA AE,VAE,WA,WAA QB,QBE,SB,SBE 1000465 LH,LHE,LHQ4,LJ,LJE,LNE,PAA,QA,QAA,QAAE,QAE,QH,QHE,QHE4,QX,QXE SH,SHE,SHE4,SJ,SJE,STE,SX,SXE,SXQ4,VA,VAA,VA AE,VAE,VB,VBE,VGB VH,VHE,VX,VXE,WA,WAA,WH,WJ,WJE,WX	
	13011-ZG5-000		(1)	-	-	(1)	1000465 LH,LHE,LJ,LJE,QA,QAE,QB,QBE,QH,QHE,QN,QNE,QX,QXE,SB,SBE,SH,SHE SJ,SJE,SN,SNE,STE,SX,SXE,VB,VBE,VH,VHE,VN,VNE,VX,VXE,WH,WJ,WJE WX	
	13012-ZG4-000	RING SET, PISTON (0.50)	-	(1)	-	-	LNE,PAA,QAA,QAAE,VA,VAA,VA AE,VAE,WA,WAA QB,QBE,SB,SBE 1000465 LH,LHE,LHQ4,LJ,LJE,LNE,PAA,QA,QAA,QAAE,QAE,QH,QHE,QHE4,QX,QXE SH,SHE,SHE4,SJ,SJE,STE,SX,SXE,SXQ4,VA,VAA,VA AE,VAE,VB,VBE,VGB VH,VHE,VX,VXE,WA,WAA,WH,WJ,WJE,WX	
			(1)	-	-	(1)	1000465	

Ref. No.	Part No.	Description	Reqd. QTY				Serial No.	Parts catalogue code
			GD 320 (1)	GD 320 (2)	GD 321 (1)	GD 321 (2)		
(1)	13012-ZG5-000	RING SET, PISTON (0.50)	(1)	-	-	-	LH,LHE,LJ,LJE,QA,QAE,QB,QBE,QH,QHE,QN,QNE,QX,QXE,SB,SBE,SH,SHE,SJ,SJE,SN,SNE,STE,SX,SXE,VB,VBE,VH,VHE,VN,VNE,VX,VXE,WH,WJ,WJEWX	
	13013-ZG4-000	RING SET, PISTON (0.75)	-	(1)	-	-		
			(1)	(1)	-	-		
			-	-	(1)	(1)	1000465 LH,LHE,LHQ4,LJ,LJE,LNE,L1,QB,QBE,SB,SBE,VB,VBE,VGB E1,PAA,QA,QAA,QAAE,QAE,QH,QHE,QHE4,QX,QXE,Q1,SH,SHE,SHE4,SJ SJE,STE,SX,SXE,SXQ4,S1,VA,VAA,VAAE,VAE,VH,VHE,VX,VXE,V1,WA,WAA WH,WJ,WJE,WX,W1	
	13010-ZG4-010	RING SET, PISTON (STD.)	-	-	1	-	1000466 LJ,LJE,LNE,SJ,SJE,WJ,WJE	
			-	-	(1)	-	1000466 LH,LHE,LHQ4,PAA,QA,QAA,QAAE,QAE,QH,QHE,QHE4,QX,QXE,SH,SHE,SHE4 STE,SX,SXE,SXQ4,VA,VAA,VAAE,VAE,VB,VBE,VGB,VH,VHE,VX,VXE,WA WAA,WH,WX	
	13011-ZG4-010	RING SET, PISTON (0.25)	-	-	-	(1)	1000466 LH,LHE,LHQ4,LJ,LJE,LNE,PAA,QA,QAA,QAAE,QAE,QH,QHE,QHE4,QX,QXE SH,SHE,SHE4,SJ,SJE,STE,SX,SXE,SXQ4,VA,VAA,VAAE,VAE,VB,VBE,VGB VH,VHE,VX,VXE,WA,WAA,WH,WJ,WJEWX	
			-	-	-	(1)	1000466	
	13012-ZG4-010	RING SET, PISTON (0.50)	-	-	(1)	-	1000466 LH,LHE,LHQ4,LJ,LJE,LNE,PAA,QA,QAA,QAAE,QAE,QH,QHE,QHE4,QX,QXE SH,SHE,SHE4,SJ,SJE,STE,SX,SXE,SXQ4,VA,VAA,VAAE,VAE,VB,VBE,VGB VH,VHE,VX,VXE,WA,WAA,WH,WJ,WJEWX	
			-	-	-	(1)	1000466	
	13013-ZG4-010	RING SET, PISTON (0.75)	-	-	(1)	(1)	1000466 E1,PAA,QA,QAA,QAAE,QAE,QH,QHE,QHE4,QX,QXE,Q1,SH,SHE,SHE4,SJ SJE,STE,SX,SXE,SXQ4,S1,VA,VAA,VAAE,VAE,VH,VHE,VX,VXE,V1,WA,WAA WH,WJ,WJE,WX,W1	
2	13101-ZG4-000	PISTON (STD.)	1	-	-	-	1008390 LH,LHE,QB,QBE,QH,QHE,QN,QNE,QX,QXE,SB,SBE,SH,SHE,SJ,SJE,SN,SNE STE,SX,SXE,VB,VBE,VH,VHE,VN,VNE,VX,VXE,WH,WJ,WJEWX	
			1	-	-	-	1008458 LJ,LJE,LNE	
			-	1	-	-	1008390	
	13101-ZG4-930	PISTON (0.25)	1	-	1	-	PAA,QA,QAA,QAAE,QAE,VA,VAA,VAAE,VAE,WA,WAA	
	13104-ZG4-000	PISTON (0.25)	(1)	-	-	-	1008390 LH,LHE,QB,QBE,QH,QHE,QN,QNE,QX,QXE,SB,SBE,SH,SHE,SJ,SJE,SN,SNE STE,SX,SXE,VB,VBE,VH,VHE,VN,VNE,VX,VXE,WH,WJ,WJEWX	
			(1)	-	-	-	1008458 LJ,LJE,LNE	
			-	(1)	-	-	1008390	
	13105-ZG4-000	PISTON (0.50)	(1)	-	-	-	1008390 LH,LHE,QB,QBE,QH,QHE,QN,QNE,QX,QXE,SB,SBE,SH,SHE,SJ,SJE,SN,SNE STE,SX,SXE,VB,VBE,VH,VHE,VN,VNE,VX,VXE,WH,WJ,WJEWX	
			(1)	-	-	-	1008458 LJ,LJE,LNE	
			-	(1)	-	-	1008390	
	13106-ZG4-000	PISTON (0.75)	(1)	-	-	-	1008390 LH,LHE,QB,QBE,QH,QHE,QN,QNE,QX,QXE,SB,SBE,SH,SHE,SJ,SJE,SN,SNE STE,SX,SXE,VB,VBE,VH,VHE,VN,VNE,VX,VXE,WH,WJ,WJEWX	
			(1)	-	-	-	1008458 LJ,LJE,LNE	
			-	(1)	-	-	1008390	
	13101-ZG4-010	PISTON (STD.)	1	-	-	-	1008391 LH,LHE,QA,QAA,QAAE,QAE,QB,QBE,QH,QHE,QX,QXE,SB,SBE,SH,SHE,SJ SJE,STE,SX,SXE,VA,VAA,VAAE,VB,VBE,VH,VHE,VN,VNE,VX,VXE,WA,WAA WH,WJ,WJE,WX	
			1	-	-	-	1008459 LJ,LJE,LNE	
			-	1	-	-	1008391	
			-	-	1	1		
	13104-ZG4-010	PISTON (0.25)	(1)	-	-	-	1008391 LH,LHE,QB,QBE,QH,QHE,QN,QNE,QX,QXE,SB,SBE,SH,SHE,SJ,SJE,SN,SNE STE,SX,SXE,VB,VBE,VH,VHE,VN,VNE,VX,VXE,WH,WJ,WJEWX	
			(1)	-	-	-	1008459 LJ,LJE,LNE	
			-	(1)	-	-	1008391	
			-	-	(1)	(1)		
	13105-ZG4-010	PISTON (0.50)	(1)	-	-	-	1008391 LH,LHE,QB,QBE,QH,QHE,QN,QNE,QX,QXE,SB,SBE,SH,SHE,SJ,SJE,SN,SNE STE,SX,SXE,VB,VBE,VH,VHE,VN,VNE,VX,VXE,WH,WJ,WJEWX	
			(1)	-	-	-	1008459 LJ,LJE,LNE	
			-	(1)	-	-	1008391	
			-	-	(1)	(1)		





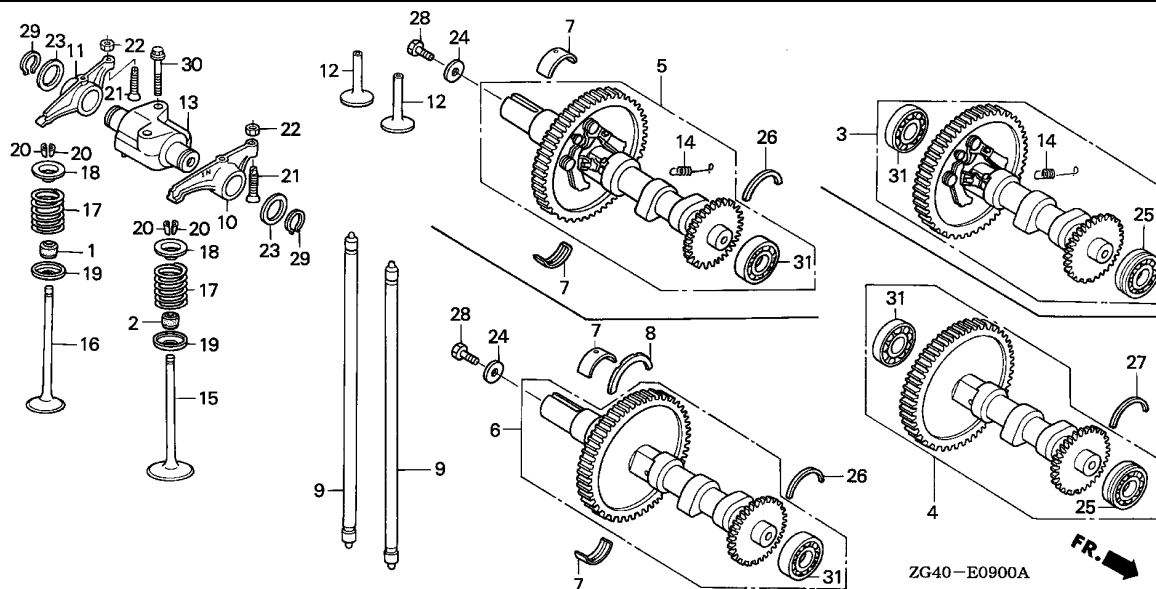
Ref. No.	Part No.	Description	Reqd. QTY				Serial No.	Parts catalogue code
			GD 320 (1)	GD 320 (2)	GD 321 (1)	GD 321 (2)		
(2)	13106-ZG4-010	PISTON (0.75)	(1)	-	-	-	1008391	LH,LHE,QB,QBE,QH,QHE,QN,QNE,QX,QXE,SB,SBE,SH,SHE,SJ,SJE,SN,SNE STE,SX,SXE,VB,VBE,VH,VHE,VN,VNE,VX,VXE,WH,WJ,WJE,WX
			(1)	-	-	-	1008459	LJ,LJE,LNE
			-	(1)	-	-	1008391	
3	13111-ZG4-000	PIN, PISTON	1	1	1	1		
4	13200-ZG4-000	ROD ASSY., CONNECTING	1	1	1	1		
5	13205-689-004	NUT, CONNECTING ROD (NAGOYA RASHI)	2	2	2	2		
6	13211-ZG4-000	BEARING A, CONNECTING ROD (BLUE)	2	-	-	-		LH,LHE,LJ,LJE,LNE,QA,QAA,QAAE,QAE,QB,QBE,QH,QHE,QN,QNE,QX,QXE SB,SBE,SH,SHE,SJ,SJE,SN,SNE,STE,SX,SXE,VA,VAA,VAAE,VB,VBE,VH VHE,VN,VNE,VX,VXE,WA,WAA,WH,WJ,WJE,WX
			(2)	-	-	-		PAA,VAE
			-	2	2	2		
	13212-ZG4-000	BEARING B, CONNECTING ROD (BLACK)	2	-	-	-		LH,LHE,LJ,LJE,LNE,QA,QAA,QAAE,QAE,QB,QBE,QH,QHE,QN,QNE,QX,QXE SB,SBE,SH,SHE,SJ,SJE,SN,SNE,STE,SX,SXE,VA,VAA,VAAE,VB,VBE,VH VHE,VN,VNE,VX,VXE,WA,WAA,WH,WJ,WJE,WX
			(2)	-	-	-		PAA,VAE
			-	2	2	2		
	13213-ZG4-000	BEARING C, CONNECTING ROD (BROWN)	2	-	-	-		LH,LHE,LJ,LJE,LNE,QA,QAA,QAAE,QAE,QB,QBE,QH,QHE,QN,QNE,QX,QXE SB,SBE,SH,SHE,SJ,SJE,SN,SNE,STE,SX,SXE,VA,VAA,VAAE,VB,VBE,VH VHE,VN,VNE,VX,VXE,WA,WAA,WH,WJ,WJE,WX
			(2)	-	-	-		PAA,VAE
			-	2	2	2		

Ref. No.	Part No.	Description	Reqd. QTY				Serial No.	Parts catalogue code
			GD 320 (1)	GD 320 (2)	GD 321 (1)	GD 321 (2)		
(6)	13214-ZG4-000	BEARING D, CONNECTING ROD (GREEN)	2	-	-	-	-----	LH,LHE,LJ,LJE,LNE,QA,QAA,QAAE,QAE,QB,QBE,QH,QHE,QN,QNE,QX,QXE SB,SBE,SH,SHE,SJ,SJE,SN,SNE,STE,SX,SXE,VA,VAA,VAAE,VB,VBE,VH VHE,VN,VNE,VX,VXE,WA,WAA,WH,WJ,WJE,WX PAA,VAE
			(2)	-	-	-	-----	
	13215-ZG4-000	BEARING E, CONNECTING ROD (YELLOW)	2	-	-	-	-----	LH,LHE,LJ,LJE,LNE,QA,QAA,QAAE,QAE,QB,QBE,QH,QHE,QN,QNE,QX,QXE SB,SBE,SH,SHE,SJ,SJE,SN,SNE,STE,SX,SXE,VA,VAA,VAAE,VB,VBE,VH VHE,VN,VNE,VX,VXE,WA,WAA,WH,WJ,WJE,WX PAA,VAE
			(2)	-	-	-	-----	
	13216-ZG4-000	BEARING F, CONNECTING ROD (PINK)	2	-	-	-	-----	LH,LHE,LJ,LJE,LNE,QA,QAA,QAAE,QAE,QB,QBE,QH,QHE,QN,QNE,QX,QXE SB,SBE,SH,SHE,SJ,SJE,SN,SNE,STE,SX,SXE,VA,VAA,VAAE,VB,VBE,VH VHE,VN,VNE,VX,VXE,WA,WAA,WH,WJ,WJE,WX PAA,VAE
			(2)	-	-	-	-----	
	13217-ZG4-000	BEARING, CONNECTING ROD (G) (RED)	2	-	-	-	-----	LH,LHE,LJ,LJE,LNE,QA,QAA,QAAE,QAE,QB,QBE,QH,QHE,QN,QNE,QX,QXE SB,SBE,SH,SHE,SJ,SJE,SN,SNE,STE,SX,SXE,VA,VAA,VAAE,VB,VBE,VH VHE,VN,VNE,VX,VXE,WA,WAA,WH,WJ,WJE,WX PAA,VAE
			(2)	-	-	-	-----	
	13232-ZG4-000	BEARING A, CONNECTING ROD (UNDER SIZE 0.25)(BLACK)	(2)	(2)	(2)	(2)		
	13233-ZG4-000	BEARING B, CONNECTING ROD (UNDER SIZE 0.25)(BROWN)	(2)	(2)	(2)	(2)		
	13234-ZG4-000	BEARING C, CONNECTING ROD (UNDER SIZE 0.25)(GREEN)	(2)	(2)	(2)	(2)		
	13236-ZG4-000	BEARING A, CONNECTING ROD (UNDER SIZE 0.50)(BLACK)	(2)	(2)	(2)	(2)		
	13237-ZG4-000	BEARING B, CONNECTING ROD (UNDER SIZE 0.50)(BROWN)	(2)	(2)	(2)	(2)		
	13238-ZG4-000	BEARING C, CONNECTING ROD (UNDER SIZE 0.50)(GREEN)	(2)	(2)	(2)	(2)		
	13242-ZG4-000	BEARING A, CONNECTING ROD (UNDER SIZE 0.75)(BLACK)	(2)	(2)	(2)	(2)		
	13243-ZG4-000	BEARING B, CONNECTING ROD (UNDER SIZE 0.75)(BROWN)	(2)	(2)	(2)	(2)		
	13244-ZG4-000	BEARING C, CONNECTING ROD (UNDER SIZE 0.75)(GREEN)	(2)	(2)	(2)	(2)		
7	13213-463-003	BOLT, CONNECTING ROD	2	2	2	2		
		(NAGOYA RASHI)	2	2	2	2		
8	90601-KA5-000	CLIP, PISTON PIN, 1.2X20	2	2	2	2		

E-9

CAMSHAFT

E 3



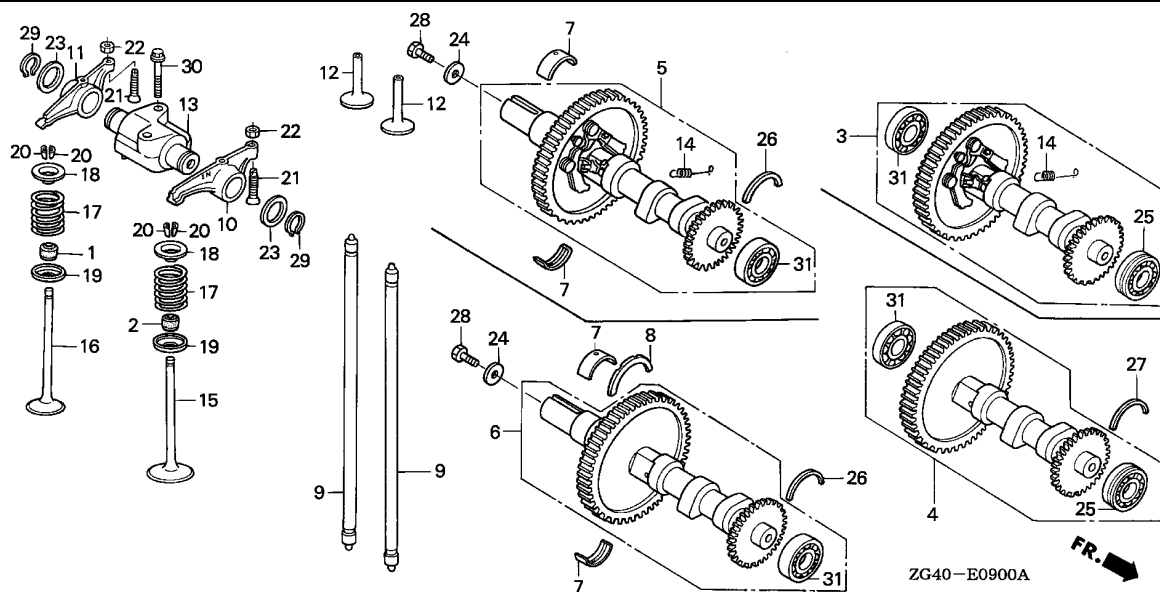
Service item	F.R.T.
ARM, IN. VALVE ROCKER (INC. RELATIVE PART) .ROD, PUSH VALVE, IN.	0.2
(ADD 0.1 FOR EACH.)	1.0
CAMSHAFT ASSY.	1.1
.SEAL A, VALVE STEM (ADD 0.2 FOR EACH.)	1.2
BEARING, RADIAL BALL, 6204 ...	1.2

2

Ref. No.	Part No.	Description	Reqd. QTY				Serial No.	Parts catalogue code
			GD 320 (1)	GD 320 (2)	GD 321 (1)	GD 321 (2)		
1	12210-PD2-003	SEAL A, VALVE STEM (ARAI) ...	1	-	1	-	LHQ4, QHE4, QN, QNE, SHE4, SN, SNE, SXQ4, VN, VNE LH, LHE, LJ, LJE, PAA, QA, QAE, QB, QBE, QH, QHE, QX, QXE, SB, SBE, SH, SHE, SJ, SJE, STE, SX, SXE, VAE, VB, VBE, VH, VHE, VX, VXE, WH, WJ, WX	
2	12210-PD2-003	SEAL A, VALVE STEM (ARAI) ...	-	1	-	-	E1, QA, QAE, QH, QHE, QX, QXE, Q1, SH, SHE, SJ, SJE, SX, SXE, S1, VH, VHE, VX, VXE, V1, WH, WJ, WX, W1 LNE, QAA, QAAE, VA, VAA, VAAE, WA, WAA, WJE QB, QBE, SB, SBE, VB, VBE	
			1	-	-	-	LH, LHE LJ, LJE L1	
3	14100-ZG3-000	CAMSHAFT ASSY.	1	(1)	-	-	1000142 Q1, SJ, S1, V1, WJ, W1 1001169 QA, QH, QX, SH, SX, VH, VX, WH, WX QN, SN, VN QB, SB, VB	
	14100-ZG3-812	1	-	-	-		
	14100-ZG3-880	CAMSHAFT ASSY. (N3)	1	-	-	-		
	14100-ZG3-010	CAMSHAFT ASSY.	1	-	-	-	1000143 1008849 SJ, WJ 1001170 1005009 QA 1001170 1008645 QH, QX, SH, SX, VH, VX, WH, WX 1008886 E1 1000143 1008886 Q1, S1, V1, W1	
	14100-ZG3-881	CAMSHAFT ASSY. (N3)	-	-	1	-	QB, SB, VB, VGB	
	14100-ZG3-930	CAMSHAFT ASSY. (USA)	1	-	-	-	PAA, QAA, VA, VAA, WA, WAA QA	
	14100-ZG3-931	1	-	-	-	1005010 1000473 PAA, QA, QAA, VA, VAA, WA, WAA	

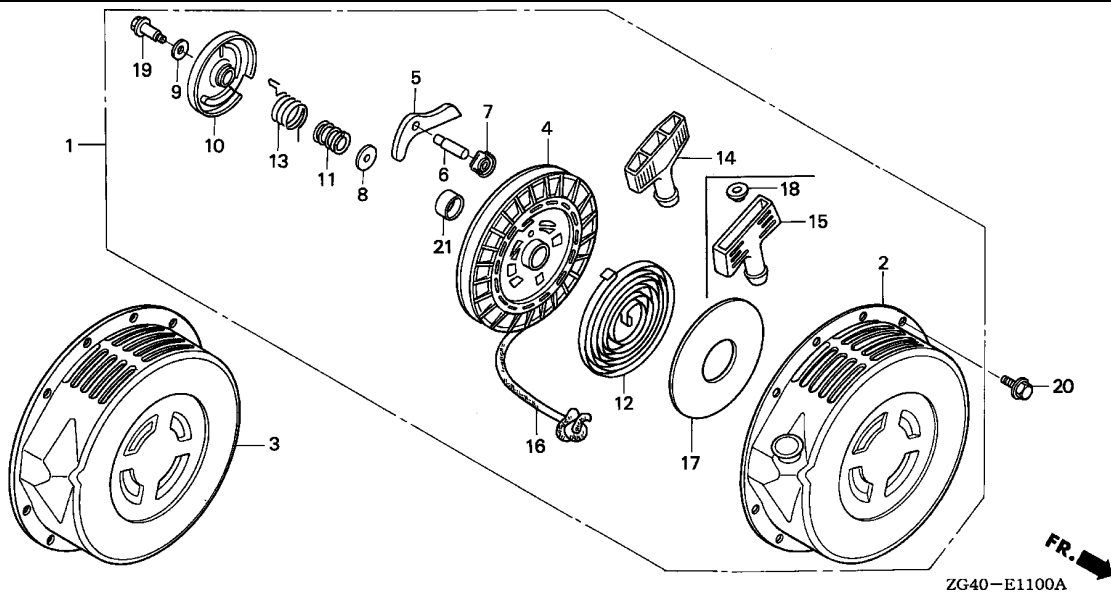
Ref. No.	Part No.	Description	Reqd. QTY				Serial No.	Parts catalogue code
			GD 320 (1)	GD 320 (2)	GD 321 (1)	GD 321 (2)		
(3)	14100-ZG3-020	CAMSHAFT ASSY.	1	-	-	-	1008646 ----- QH,QX,SH,SX,VH,VX,WH,WX	
			1	-	-	-	1008850 ----- SJ,WJ	
			-	(1)	-	-	1008887 ----- E1,Q1,S1,V1,W1	
			-	-	1	(1)	----- E1,QH,QX,Q1,SH,SJ,SX,SXQ4,S1,VH,VX,V1,WH,WJ,WX,W1	
			-	-	1	-	1000474 ----- PAA,QA,QAA,VA,VAA,WA,WAA	
4	14100-ZG3-800	CAMSHAFT ASSY. (SEL)	1	(1)	-	-	1000110 Q1,SJE,S1,V1,W1	
			1	-	-	-	1001551 QAE,QHE,QXE,SHE,SXE,VHE,VXE	
	14100-ZG3-822	1	-	-	-	----- QNE,SNE,VNE	
	14100-ZG3-801	1	(1)	-	-	1000111 Q1,SJE,S1,V1,W1	
			1	-	1	(1)	----- Q1,S1,V1,WJE,W1	
			1	-	-	-	1001552 QAE,QHE,QXE,SHE,SXE,VHE,VXE	
			1	-	-	-	----- 1008404 STE	
			-	(1)	1	(1)	----- E1,QHE,QHE4,QXE,SHE,SHE4,SJE,SXE,VHE,VXE	
	14100-ZG3-890	CAMSHAFT ASSY. (N3-SEL)	1	-	1	-	----- QBE,SBE,VBE	
			1	-	-	-	----- 1008405 STE	
			-	-	1	-	----- STE	
	14100-ZG3-940	CAMSHAFT ASSY. (USA-SEL)	1	-	-	-	----- QAAE,VAAE,VAE	
			-	-	1	-	----- 1000452 QAAE,QAE,VAAE,VAE	
	14100-ZG3-801	CAMSHAFT ASSY. (SEL)	-	-	1	-	----- 1000453 QAAE,QAE,VAAE,VAE	
5	14100-ZG4-610	CAMSHAFT ASSY.	1	(1)	1	(1)	----- LH,LHQ4,LJ,L1	
6	14100-ZG4-830	CAMSHAFT ASSY. (SEL)	1	(1)	1	(1)	----- LHE,LJE,LNE,L1	
7	14123-ZG3-612	BEARING A, CAMSHAFT (BLACK)	2	2	2	2	----- LH,LHE,LHQ4,LJ,LJE,LNE,L1	
	14124-ZG3-612	BEARING B, CAMSHAFT (BROWN)	2	2	2	2	----- LH,LHE,LHQ4,LJ,LJE,LNE,L1	
8	14128-ZG3-611	BEARING, CAMSHAFT THRUST	1	1	1	1	----- LH,LHE,LHQ4,LJ,LJE,LNE,L1	
9	14410-ZG4-000	ROD, PUSH	2	2	2	2		
10	14421-ZG3-000	ARM, IN. VALVE ROCKER	1	1	1	1		
11	14431-ZG3-000	ARM, EX. VALVE ROCKER	1	1	1	1		
12	14441-ZG3-000	LIFTER, VALVE	2	2	-	-	----- 1001169 QA,QAE,QH,QHE,QN,QNE,QX,QXE,Q1,SH,SHE,SJ,SJE,SN,SNE,SX,SXE,S1	
							----- VH,VHE,VN,VNE,VX,VXE,V1,WH,WJ,WX,W1	
	14441-ZE2-000	2	2	2	2	----- E1,PAA,QAA,QAAE,QB,QBE,QHE4,SB,SBE,SHE4,STE,SXQ4,VA,VAA,VAAE	
							----- VAE,VB,VBE,VGB,WA,WAA,WJE	
			2	2	-	-	----- 1001170 QA,QAE,QH,QHE,QN,QNE,QX,QXE,Q1,SH,SHE,SJ,SJE,SN,SNE,SX,SXE,S1	
			-	-	2	2	----- VH,VHE,VN,VNE,VX,VXE,V1,WH,WJ,WX,W1	
			-	-	2	2	----- QA,QAE,QH,QHE,QX,QXE,Q1,SH,SHE,SJ,SJE,SX,SXE,S1,VH,VHE,VX,VXE	
							----- V1,WH,WJ,WX,W1	
	14441-ZG3-610	2	2	2	2	----- LH,LHE,LHQ4,LJ,LJE,LNE,L1	
13	14461-ZG3-000	SHAFT COMP., ROCKER ARM	1	1	1	1		
14	14568-ZG3-000	SPRING, WEIGHT RETURN	1	-	1	-	----- LH,LHQ4,LJ,PAA,QA,QAA,QB,QH,QN,QX,SB,SH,SJ,SN,SX,SXQ4,VA,VAA	
							----- VB,VGB,VH,VN,VX,WA,WAA,WH,WJ,WX	
			-	(1)	-	(1)		
15	14711-ZG4-000	VALVE, IN.	1	1	1	1		
16	14721-ZG4-000	VALVE, EX.	1	1	1	1		
17	14751-ZG3-003	SPRING, VALVE	2	2	2	2		
18	14765-PG6-000	RETAINER, VALVE SPRING	2	2	-	-		
			-	-	2	-	----- QB,QBE,SB,SBE	
			-	-	2	-	----- 1001344 LH,LHE,LHQ4,LJ,LJE,LNE,PAA,QA,QAA,QAAE,QAE,QH,QHE,QHE4,QX,QXE	
							----- SH,SHE,SHE4,SJ,SJE,STE,SX,SXE,SXQ4,VA,VAA,VAAE,VAE,VB,VBE,VGB	
							----- VH,VHE,VX,VXE,WA,WAA,WH,WJ,WJE,WX	
			-	-	-	2	----- 1001344	
	14771-ZJ8-000	-	-	2	-	----- 1001345 LH,LHE,LHQ4,LJ,LJE,LNE,PAA,QA,QAA,QAAE,QAE,QH,QHE,QHE4,QX,QXE	
							----- SH,SHE,SHE4,SJ,SJE,STE,SX,SXE,SXQ4,VA,VAA,VAAE,VAE,VB,VBE,VGB	
							----- VH,VHE,VX,VXE,WA,WAA,WH,WJ,WJE,WX	
			-	-	-	2	----- 1001345	
19	14775-ZG3-000	SEAT, VALVE SPRING	2	2	2	2		
20	14781-MB9-000	COTTER, VALVE	4	4	4	4		





2

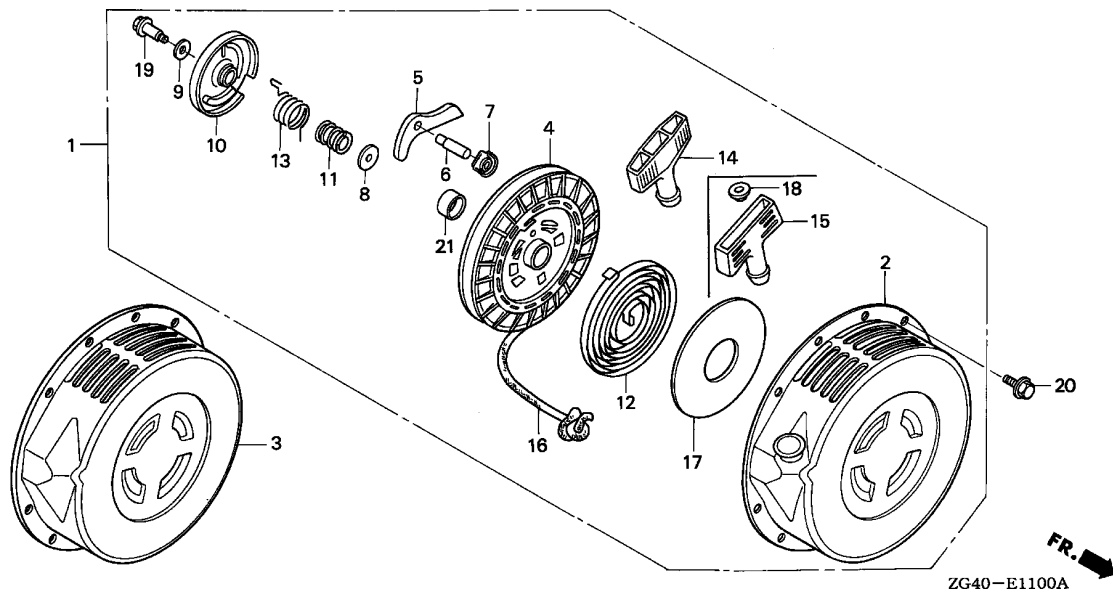
Ref. No.	Part No.	Description	Reqd. QTY				Serial No.	Parts catalogue code
			GD 320 (1)	GD 320 (2)	GD 321 (1)	GD 321 (2)		
21	90012-ZG3-000	SCREW, TAPPET ADJUSTING	2	2	2	2		
22	90206-001-000	NUT, TAPPET ADJUSTING	2	2	2	2		
23	90448-KE1-000	WASHER, THRUST, 16MM	2	2	2	2		
24	90471-VB4-000	WASHER, 10.5X40X4	1	(1)	1	(1)	-----	LH,LHE,LHQ4,L1
25	91002-ZG3-003	BEARING, SPECIAL BALL, 6204(A) (NTN)	1	(1)	1	-	-----	E1,PAA,QA,QAA,QAAE,QAE,QB,QBE,QH,QHE,QHE4,QN,QNE,QX,QXE,Q1,SB,SBE,SH,SHE,SHE4,SJ,SJE,SN,SNE,STE,SX,SXE,SXQ4,S1,VA,VAA,VAAE,VAE,VB,VBE,VGB,VH,VHE,VN,VNE,VX,VXE,V1,WA,WAA,WH,WJ,WJE,WX,W1
			-	-	-	(1)		
26	91004-ZG3-610	RING, OUTER SETTING (470) ...	1	1	1	1	-----	LH,LHE,LHQ4,LJ,LJE,LNE,L1
27	91006-ZG3-000	SET RING, 470	1	-	1	-	-----	PAA,QA,QAA,QAAE,QAE,QB,QBE,QH,QHE,QHE4,QN,QNE,QX,QXE,SB,SBE,SH,SHE,SHE4,SN,SNE,STE,SX,SXE,SXQ4,VA,VAA,VAAE,VAE,VB,VBE,VGB,VH,VHE,VN,VNE,VX,VXE,WA,WAA,WH,WX
			1	-	-	-	-----	LNE,SJ,SJE,WJ,WJE
			-	(1)	-	-	1004885	E1,Q1,S1,V1,W1
			-	1	-	-	1004886	E1,Q1,S1,V1,W1
			-	-	1	-	-----	LJ,LJE,LNE,SJ,SJE,WJ,WJE
			-	-	-	1		
28	92101-10025-0A	BOLT, HEX., 10X25	1	(1)	1	(1)	-----	LH,LHE,LHQ4,L1
29	94510-16000	CIRCLIP, EXTERNAL, 16MM	2	2	2	2		
30	95701-06035-00	BOLT, FLANGE, 6X35	2	2	2	2		
31	96100-62043-00	BEARING, RADIAL BALL, 6204 ..	1	(1)	1	(1)		



Service item	F.R.T.
STARTER ASSY., RECOIL	0.1
RATCHET, STARTER (INC. RELATIVE PART)	0.2
.SPRING, TORSION	
ROPE, STARTER	0.4
.SPRING, RETURN	

Ref. No.	Part No.	Description	Reqd. QTY				Serial No.	Parts catalogue code
			GD 320 (1)	GD 320 (2)	GD 321 (1)	GD 321 (2)		
1	28400-ZG3-003ZA	STARTER ASSY., RECOIL *NH116M*URBAN SILVER METALLIC	1	1	-	-	-----	E1,QA,QAA,QAAE,QAE,QB,QBE,QH,QHE,QN,QNE,QX,QXE,Q1,SB,SBE,SH,SHE,SN,SNE,SX,SXE,S1,VA,VAA,VAE,VB,VBE,VH,VHE,VN,VNE,VX,VXE,V1,WA,WAA,WH,WX,W1
			1	-	1	1	-----	1000113 E1,PAA,Q1,SJ,SJE,S1,VAE,V1,WJ,WJE,W1
			-	-	1	-	-----	1000113 QA,QAA,QAAE,QAE,QH,QHE,QX,QXE,SH,SHE,SX,SXE,VA,VAA,VAE,VH,VHE,VX,VXE,WA,WAA,WH,WX
	28400-ZG3-004ZA	*NH116M*URBAN SILVER METALLIC	1	-	-	-	1000114	----- PAA,VAE
	28400-ZG3-611ZA	*NH116M*URBAN SILVER METALLIC	1	1	-	-	-----	LH,LHE,LJ,LJE,LNE,L1
			-	-	1	1	-----	1000113 LH,LHE,LJ,LJE,LNE,L1
	28400-ZG3-881ZA	*NH116M*URBAN SILVER METALLIC	1	-	-	-	-----	QB,QBE,SB,SBE,VB,VBE
			-	-	1	-	-----	1000113 QB,QBE,SB,SBE,VB,VBE
	28400-ZG3-004ZA	*NH116M*URBAN SILVER METALLIC	1	-	1	-	1000114	----- SJ,SJE,WJ,WJE
			-	-	1	1	1000114	----- E1,PAA,QA,QAA,QAAE,QAE,QH,QHE,QX,QXE,Q1,SH,SHE,SX,SXE,S1,VA,VAA,VAE,VAE,VH,VHE,VX,VXE,V1,WA,WAA,WH,WX,W1
			-	-	1	-	-----	QHE4,SHE4,SXQ4
	28400-ZG3-612ZA	*NH116M*URBAN SILVER METALLIC	-	-	1	1	1000114	----- LH,LHE,LJ,LJE,LNE,L1
			-	-	1	-	-----	LHQ4
	28400-ZG3-882ZA	*NH116M*URBAN SILVER METALLIC	-	-	1	-	-----	VGB
			-	-	1	-	1000114	----- QB,QBE,SB,SBE,VB,VBE
2	28410-ZG3-003ZA	CASE COMP., STARTER *NH116M*URBAN SILVER METALLIC	1	1	-	-	-----	E1,QA,QAA,QAAE,QAE,QB,QBE,QH,QHE,QN,QNE,QX,QXE,Q1,SB,SBE,SH,SHE,SN,SNE,SX,SXE,S1,VA,VAA,VAE,VB,VBE,VH,VHE,VN,VNE,VX,VXE,V1,WA,WAA,WH,WX,W1
			1	-	1	1	-----	1000113 E1,PAA,Q1,SJ,SJE,S1,VAE,V1,WJ,WJE,W1
			-	-	1	-	-----	1000113 QA,QAA,QAAE,QAE,QB,QBE,QH,QHE,QX,QXE,SB,SBE,SH,SHE,SX,SXE,VA,VAA,VAE,VB,VBE,VH,VHE,VX,VXE,WA,WAA,WH,WX



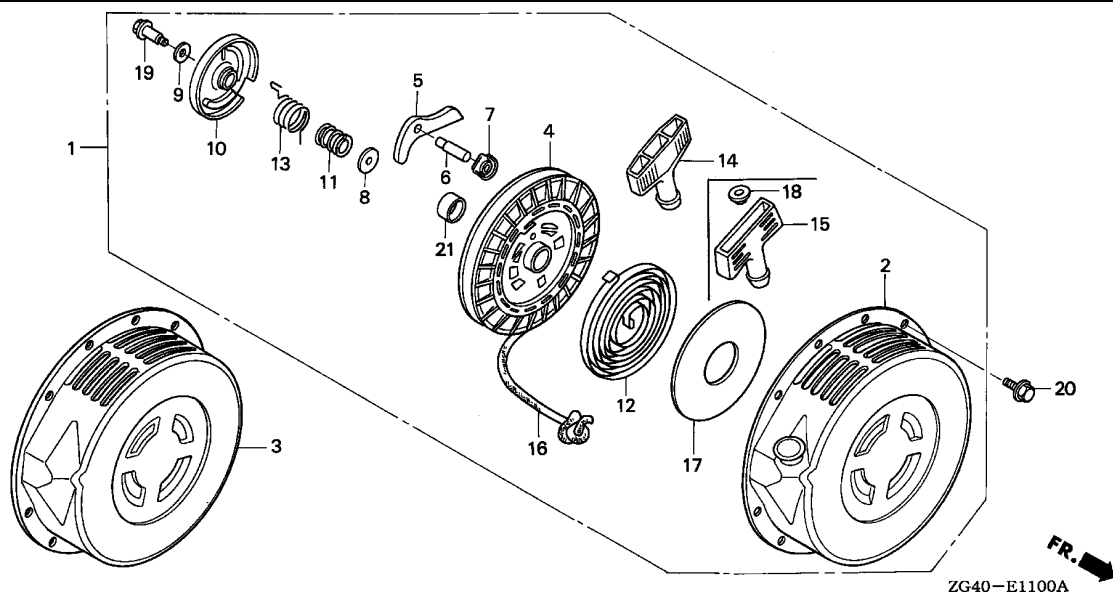


ZG40-E1100A

Ref. No.	Part No.	Description	Reqd. QTY				Serial No.	Parts catalogue code
			GD 320 (1)	GD 320 (2)	GD 321 (1)	GD 321 (2)		
(2)	28410-ZG3-611ZA	CASE COMP., STARTER *NH116M*URBAN SILVER METALLIC	1	1	-	-	-----	LH,LHE,LJ,LJE,LNE,L1
	28410-ZG3-004ZA	*NH116M*URBAN SILVER METALLIC	1	-	1	1	1000113	LH,LHE,LJ,LJE,LNE,L1
			-	-	1	-	-----	E1,PAA,Q1,SJ,SJE,S1,VAE,V1,WJ,WJE,W1
			-	-	1	-	-----	QHE4,SHE4,SXQ4,VGB
	28410-ZG3-612	-	-	1	1	1000114	QA,QAA,QAAE,QAE,QB,QBE,QH,QHE,QX,QXE,SB,SBE,SH,SHE,SX,SXE,VA
			-	-	1	-	-----	VAA,VAAE,VB,VBE,VH,VHE,VX,VXE,WA,WAA,WH,WX
			-	-	1	-	-----	LH,LHE,LJ,LJE,LNE,L1
	3 28414-ZG4-911	CASE, STARTER	1	-	1	-	-----	LHQ4
	4 28420-ZE8-811	REEL COMP., STARTER	1	1	-	-	-----	STE
			1	-	1	1	1000113	E1,QA,QAA,QAAE,QAE,QB,QBE,QH,QHE,QN,QNE,QX,QXE,Q1,SB,SBE,SH
			-	-	1	-	-----	SHE,SN,SNE,SX,SXE,S1,VA,VAA,VAAE,VB,VBE,VH,VHE,VN,VNE,VX,VXE
			-	-	1	-	-----	V1,WA,WAA,WH,WX,W1
			1	-	1	1	1000113	E1,PAA,Q1,SJ,SJE,S1,VAE,V1,WJ,WJE,W1
			-	-	1	-	-----	QA,QAA,QAAE,QAE,QB,QBE,QH,QHE,QX,QXE,SB,SBE,SH,SHE,SX,SXE,VA
	28420-ZG3-611	REEL, STARTER	1	1	-	-	-----	VAA,VAAE,VB,VBE,VH,VHE,VX,VXE,WA,WAA,WH,WX
			-	-	1	1	1000113	LH,LHE,LJ,LJE,LNE,L1
			-	-	1	1	1000113	LH,LHE,LJ,LJE,LNE,L1
	28420-ZE8-812	REEL COMP., STARTER	1	-	1	1	1000114	E1,PAA,Q1,SJ,SJE,S1,VAE,V1,WJ,WJE,W1
			-	-	1	-	-----	QHE4,SHE4,SXQ4,VGB
			-	-	1	-	-----	QA,QAA,QAAE,QAE,QB,QBE,QH,QHE,QX,QXE,SB,SBE,SH,SHE,SX,SXE,VA
			-	-	1	-	-----	VAA,VAAE,VB,VBE,VH,VHE,VX,VXE,WA,WAA,WH,WX
	28420-ZG3-612	REEL, STARTER	-	-	1	1	1000114	LH,LHE,LJ,LJE,LNE,L1
			-	-	1	-	-----	LHQ4
	5 28422-ZG3-003	RATCHET, STARTER	1	-	1	-	-----	1000113 PAA,SJ,SJE,VAE,WJ,WJE
			1	-	-	-	-----	QN,QNE,SN,SNE,VN,VNE
			-	-	1	-	-----	1000113 LH,LHE,LJ,LJE,LNE,QA,QAA,QAAE,QAE,QB,QBE,QH,QHE,QX,QXE,SB,SBE
			-	-	-	1	-----	SH,SHE,SX,SXE,VA,VAA,VAAE,VB,VBE,VH,VHE,VX,VXE,WA,WAA,WH,WX

Ref. No.	Part No.	Description	Reqd. QTY				Serial No.	Parts catalogue code		
			GD 320 (1)	GD 320 (2)	GD 321 (1)	GD 321 (2)				
(5)	28422-ZG3-004	RATCHET, STARTER	1	-	1	-	1000114	PAA,SJ,SJE,VAE,WJ,WJE		
			1	-	-	-		LH,LHE,LJ,LJE,LNE,QA,QAA,QAAE,QAE,QB,QBE,QH,QHE,QX,QXE,SB,SBE SH,SHE,SX,SXE,VA,VAA,VAAE,VB,VBE,VH,VHE,VX,VXE,WA,WAA,WH,WX		
			-	1	-	-				
			-	-	1	-		LHQ4,QHE4,SHE4,SXQ4,VGB		
			-	-	1	-	1000114	LH,LHE,LJ,LJE,LNE,QA,QAA,QAAE,QAE,QB,QBE,QH,QHE,QX,QXE,SB,SBE SH,SHE,SX,SXE,VA,VAA,VAAE,VB,VBE,VH,VHE,VX,VXE,WA,WAA,WH,WX		
			-	-	-	1	1000114			
			6	28423-ZG3-003	SHAFT, RATCHET	1	-	1	-	1000113 PAA,SJ,SJE,VAE,WJ,WJE
						1	-	-	-	QN,QNE,SN,SNE,VN,VNE
						-	-	1	-	1000113 LH,LHE,LJ,LJE,LNE,QA,QAA,QAAE,QAE,QB,QBE,QH,QHE,QX,QXE,SB,SBE SH,SHE,SX,SXE,VA,VAA,VAAE,VB,VBE,VH,VHE,VX,VXE,WA,WAA,WH,WX
				28423-ZG3-004	1	-	-	1	1000113
			1	-	-	-	1000114 PAA,SJ,SJE,VAE,WJ,WJE			
			-	1	-	-	LH,LHE,LJ,LJE,LNE,QA,QAA,QAAE,QAE,QB,QBE,QH,QHE,QX,QXE,SB,SBE SH,SHE,SX,SXE,VA,VAA,VAAE,VB,VBE,VH,VHE,VX,VXE,WA,WAA,WH,WX			
			-	-	1	-	1000113			
			-	-	1	-	1000114 PAA,SJ,SJE,VAE,WJ,WJE			
			1	-	-	-	LH,LHE,LJ,LJE,LNE,QA,QAA,QAAE,QAE,QB,QBE,QH,QHE,QX,QXE,SB,SBE SH,SHE,SX,SXE,VA,VAA,VAAE,VB,VBE,VH,VHE,VX,VXE,WA,WAA,WH,WX			
			-	1	-	-	LHQ4,QHE4,SHE4,SXQ4,VGB			
			-	-	1	-	1000114 LH,LHE,LJ,LJE,LNE,QA,QAA,QAAE,QAE,QB,QBE,QH,QHE,QX,QXE,SB,SBE SH,SHE,SX,SXE,VA,VAA,VAAE,VB,VBE,VH,VHE,VX,VXE,WA,WAA,WH,WX			
7	28424-ZE1-711	PLATE, GUIDE	1	-	1	-	1000113	PAA,SJ,SJE,VAE,WJ,WJE		
			1	-	-	-		QN,QNE,SN,SNE,VN,VNE		
			-	-	1	-		1000113 LH,LHE,LJ,LJE,LNE,QA,QAA,QAAE,QAE,QB,QBE,QH,QHE,QX,QXE,SB,SBE SH,SHE,SX,SXE,VA,VAA,VAAE,VB,VBE,VH,VHE,VX,VXE,WA,WAA,WH,WX		
			-	-	-	1		1000113		
				28424-ZE1-712	1	-	-	-	1000114 PAA,SJ,SJE,VAE,WJ,WJE
						1	-	-	-	LH,LHE,LJ,LJE,LNE,QA,QAA,QAAE,QAE,QB,QBE,QH,QHE,QX,QXE,SB,SBE SH,SHE,SX,SXE,VA,VAA,VAAE,VB,VBE,VH,VHE,VX,VXE,WA,WAA,WH,WX
						-	1	-	-	LHQ4,QHE4,SHE4,SXQ4,VGB
						-	-	1	-	1000114 LH,LHE,LJ,LJE,LNE,QA,QAA,QAAE,QAE,QB,QBE,QH,QHE,QX,QXE,SB,SBE SH,SHE,SX,SXE,VA,VAA,VAAE,VB,VBE,VH,VHE,VX,VXE,WA,WAA,WH,WX
						-	-	1	1000114	
						1	-	-	-	1000113 PAA,SJ,SJE,VAE,WJ,WJE
			1	-	-	-	QN,QNE,SN,SNE,VN,VNE			
			-	-	1	-	1000113 LH,LHE,LJ,LJE,LNE,QA,QAA,QAAE,QAE,QB,QBE,QH,QHE,QX,QXE,SB,SBE SH,SHE,SX,SXE,VA,VAA,VAAE,VB,VBE,VH,VHE,VX,VXE,WA,WAA,WH,WX			
			-	-	1		1000113			
			1	-	-	-	1000114 PAA,SJ,SJE,VAE,WJ,WJE			
			1	-	-	-	LH,LHE,LJ,LJE,LNE,QA,QAA,QAAE,QAE,QB,QBE,QH,QHE,QX,QXE,SB,SBE SH,SHE,SX,SXE,VA,VAA,VAAE,VB,VBE,VH,VHE,VX,VXE,WA,WAA,WH,WX			
			-	1	-	-	LHQ4,QHE4,SHE4,SXQ4,VGB			
			-	-	1	-	1000114 LH,LHE,LJ,LJE,LNE,QA,QAA,QAAE,QAE,QB,QBE,QH,QHE,QX,QXE,SB,SBE SH,SHE,SX,SXE,VA,VAA,VAAE,VB,VBE,VH,VHE,VX,VXE,WA,WAA,WH,WX			
9	28432-ZG0-003	PLATE B, FRICTION	1	-	1	-	1000113	PAA,SJ,SJE,VAE,WJ,WJE		
			1	-	-	-		QN,QNE,SN,SNE,VN,VNE		
			-	-	1	-		1000113 LH,LHE,LJ,LJE,LNE,QA,QAA,QAAE,QAE,QB,QBE,QH,QHE,QX,QXE,SB,SBE SH,SHE,SX,SXE,VA,VAA,VAAE,VB,VBE,VH,VHE,VX,VXE,WA,WAA,WH,WX		
			-	-	-	1		1000113		
			-	-	-	1		1000113		



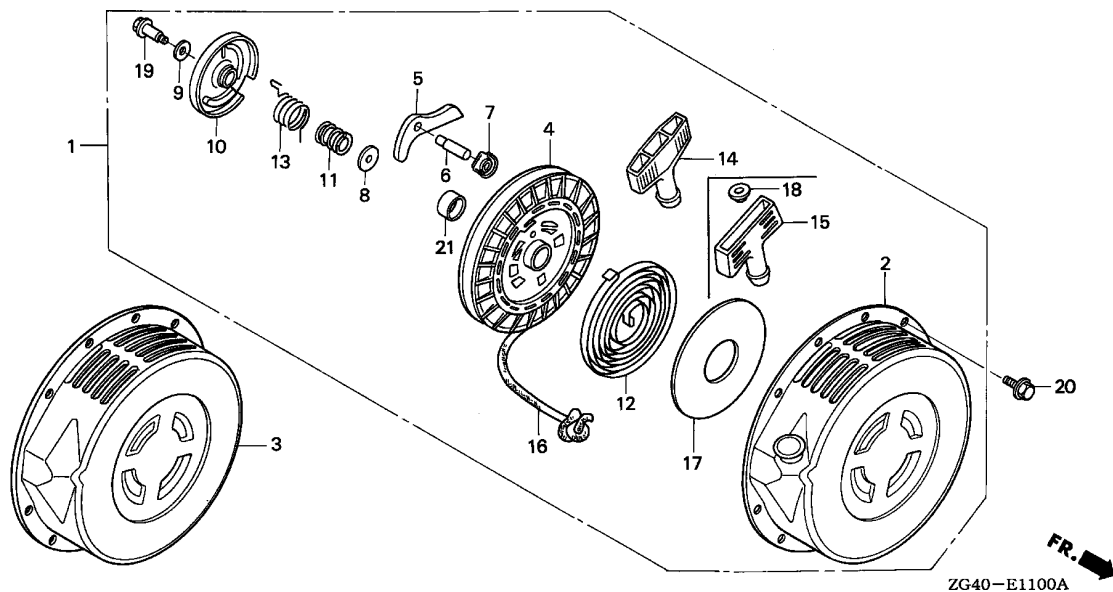


ZG40-E1100A

Ref. No.	Part No.	Description	Reqd. QTY				Serial No.	Parts catalogue code
			GD 320 (1)	GD 320 (2)	GD 321 (1)	GD 321 (2)		
(9)	28432-ZG0-004	PLATE B, FRICTION	1	-	1	-	1000114	PAA,SJ,SJE,VAE,WJ,WJE
			1	-	-	-	-----	LH,LHE,LJ,LJE,LNE,QA,QAA,QAAE,QAE,QB,QBE,QH,QHE,QX,QXE,SB,SBE,SH,SHE,SX,SXE,VA,VAA,VAAE,VB,VBE,VH,VHE,VX,VXE,WA,WAA,WH,WX
			-	1	-	-	-----	LHQ4,QHE4,SHE4,SXQ4,VGB
			-	-	1	-	1000114	LH,LHE,LJ,LJE,LNE,QA,QAA,QAAE,QAE,QB,QBE,QH,QHE,QX,QXE,SB,SBE,SH,SHE,SX,SXE,VA,VAA,VAAE,VB,VBE,VH,VHE,VX,VXE,WA,WAA,WH,WX
10	28434-ZE8-811	COVER, STARTER REEL	1	-	1	1	1000113	E1,PAA,Q1,SJ,SJE,S1,VAE,V1,WJ,WJE,W1
			1	-	-	-	-----	QN,QNE,SN,SNE,VN,VNE
			-	-	1	-	1000113	QA,QAA,QAAE,QAE,QB,QBE,QH,QHE,QX,QXE,SB,SBE,SH,SHE,SX,SXE,VA,VAA,VAAE,VB,VBE,VH,VHE,VX,VXE,WA,WAA,WH,WX
			-	-	1	1	1000113	LH,LHE,LJ,LJE,LNE,L1
	28434-ZG3-611	-	-	1	1	-----	E1,QA,QAA,QAAE,QAE,QB,QBE,QH,QHE,QX,QXE,Q1,SB,SBE,SH,SHE,SX,SXE,S1,VA,VAA,VAAE,VB,VBE,VH,VHE,VX,VXE,V1,WA,WAA,WH,WX,W1
	28434-ZE8-812	1	1	-	-	-----	E1,PAA,Q1,SJ,SJE,S1,VAE,V1,WJ,WJE,W1
	-	-	1	-	1	1000114	-----	QHE4,SHE4,SXQ4,VGB
	-	-	1	-	1000114	-----	QA,QAA,QAAE,QAE,QB,QBE,QH,QHE,QX,QXE,SB,SBE,SH,SHE,SX,SXE,VA,VAA,VAAE,VB,VBE,VH,VHE,VX,VXE,WA,WAA,WH,WX	
28434-ZG3-612	1	1	-	-	-----	LH,LHE,LJ,LJE,LNE,L1	
		-	-	1	1	1000114	-----	LH,LHE,LJ,LJE,LNE,L1
		-	-	1	-	-----	LHQ4	
11	28441-ZG3-003	SPRING, FRICTION	1	-	1	-	1000113	PAA,SJ,SJE,VAE,WJ,WJE
			1	-	-	-	-----	QN,QNE,SN,SNE,VN,VNE
			-	-	1	-	1000113	LH,LHE,LJ,LJE,LNE,QA,QAA,QAAE,QAE,QB,QBE,QH,QHE,QX,QXE,SB,SBE,SH,SHE,SX,SXE,VA,VAA,VAAE,VB,VBE,VH,VHE,VX,VXE,WA,WAA,WH,WX
			-	-	-	1	1000113	-----

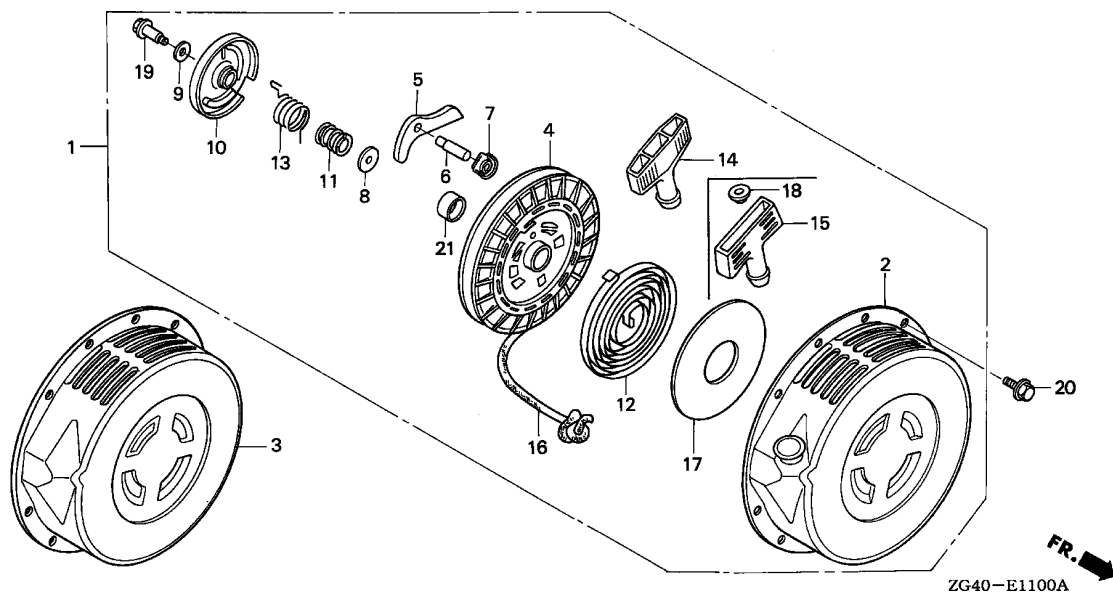
Ref. No.	Part No.	Description	Reqd. QTY				Serial No.	Parts catalogue code
			GD 320 (1)	GD 320 (2)	GD 321 (1)	GD 321 (2)		
11)	28441-ZG3-004	SPRING, FRICTION	1	-	1	-	1000114	PAA,SJ,SJE,VAE,WJ,WJE
			1	-	-	-		LH,LHE,LJ,LJE,LNE,QA,QAA,QAAE,QAE,QB,QBE,QH,QHE,QX,QXE,SB,SBE SH,SHE,SX,SXE,VA,VAA,VAAE,VB,VBE,VH,VHE,VX,VXE,WA,WAA,WH,WX
			-	1	-	-		LHQ4,QHE4,SHE4,SXQ4,VGB
			-	-	1	-	1000114	LH,LHE,LJ,LJE,LNE,QA,QAA,QAAE,QAE,QB,QBE,QH,QHE,QX,QXE,SB,SBE SH,SHE,SX,SXE,VA,VAA,VAAE,VB,VBE,VH,VHE,VX,VXE,WA,WAA,WH,WX
12	28442-ZE1-711	SPRING, RETURN	1	-	1	-	1000113	PAA,SJ,SJE,VAE,WJ,WJE
			1	-	-	-		QN,QNE,SN,SNE,VN,VNE
			-	-	1	-	1000113	LH,LHE,LJ,LJE,LNE,QA,QAA,QAAE,QAE,QB,QBE,QH,QHE,QX,QXE,SB,SBE SH,SHE,SX,SXE,VA,VAA,VAAE,VB,VBE,VH,VHE,VX,VXE,WA,WAA,WH,WX
			-	-	-	1	1000113	
	28442-ZE1-713	1	-	1	-	1000114	PAA,SJ,SJE,VAE,WJ,WJE
			1	-	-	-		LH,LHE,LJ,LJE,LNE,QA,QAA,QAAE,QAE,QB,QBE,QH,QHE,QX,QXE,SB,SBE SH,SHE,SX,SXE,VA,VAA,VAAE,VB,VBE,VH,VHE,VX,VXE,WA,WAA,WH,WX
			-	1	-	-		LHQ4,QHE4,SHE4,SXQ4,VGB
			-	-	1	-	1000114	LH,LHE,LJ,LJE,LNE,QA,QAA,QAAE,QAE,QB,QBE,QH,QHE,QX,QXE,SB,SBE SH,SHE,SX,SXE,VA,VAA,VAAE,VB,VBE,VH,VHE,VX,VXE,WA,WAA,WH,WX
13	28449-ZG3-003	SPRING, TORSION	1	-	1	1	1000113	E1,PAA,Q1,SJ,SJE,S1,VAE,V1,WJ,WJE,W1
			1	-	-	-		QN,QNE,SN,SNE,VN,VNE
			-	-	1	-	1000113	QA,QAA,QAAE,QAE,QB,QBE,QH,QHE,QX,QXE,SB,SBE,SH,SHE,SX,SXE,VA VAA,VAAE,VB,VBE,VH,VHE,VX,VXE,WA,WAA,WH,WX
			-	-	1	1	1000113	LH,LHE,LJ,LJE,LNE,L1
			1	1	-	-		E1,QA,QAA,QAAE,QAE,QB,QBE,QH,QHE,QX,QXE,Q1,SB,SBE,SH,SHE,SX SXE,S1,VA,VAA,VAAE,VB,VBE,VH,VHE,VX,VXE,V1,WA,WAA,WH,WX,W1
			1	-	1	1	1000114	E1,PAA,Q1,SJ,SJE,S1,VAE,V1,WJ,WJE,W1
			-	-	1	-		QHE4,SHE4,SXQ4,VGB
			-	-	1	-	1000114	QA,QAA,QAAE,QAE,QB,QBE,QH,QHE,QX,QXE,SB,SBE,SH,SHE,SX,SXE,VA VAA,VAAE,VB,VBE,VH,VHE,VX,VXE,WA,WAA,WH,WX
			1	1	-	-		LH,LHE,LJ,LJE,LNE,L1
			-	-	1	1	1000114	LH,LHE,LJ,LJE,LNE,L1
14	28461-ZE8-811	GRIP, STARTER	1	-	1	-	1000113	PAA,SJ,SJE,VAE,WJ,WJE
			1	-	-	-		LH,LHE,QA,QAE,QB,QBE,QH,QHE,QN,QNE,QX,QXE,SB,SBE,SH,SHE,SN,SNE SX,SXE,VB,VBE,VH,VHE,VN,VNE,VX,VXE,WH,WX
			-	1	-	-		
			-	-	1	-	1000113	LH,LHE,LJ,LJE,LNE,QA,QAA,QAAE,QAE,QB,QBE,QH,QHE,QX,QXE,SB,SBE SH,SHE,SX,SXE,VA,VAA,VAAE,VB,VBE,VH,VHE,VX,VXE,WA,WAA,WH,WX
15	28461-ZG3-004	GRIP, STARTER	1	-	1	-	1000114	PAA,SJ,SJE,VAE,WJ,WJE
			1	-	-	-		LH,LHE,LJ,LJE,LNE,QA,QAA,QAAE,QAE,QB,QBE,QH,QHE,QX,QXE,SB,SBE SH,SHE,SX,SXE,VA,VAA,VAAE,VB,VBE,VH,VHE,VX,VXE,WA,WAA,WH,WX
			-	1	-	-		LHQ4,QHE4,SHE4,SXQ4,VGB
			-	-	1	-	1000114	LH,LHE,LJ,LJE,LNE,QA,QAA,QAAE,QAE,QB,QBE,QH,QHE,QX,QXE,SB,SBE SH,SHE,SX,SXE,VA,VAA,VAAE,VB,VBE,VH,VHE,VX,VXE,WA,WAA,WH,WX
16	28462-ZG3-003	ROPE, STARTER	1	-	1	-	1000113	PAA,SJ,SJE,VAE,WJ,WJE
			1	-	-	-		QN,QNE,SN,SNE,VN,VNE
			-	-	1	-	1000113	LH,LHE,LJ,LJE,LNE,QA,QAA,QAAE,QAE,QB,QBE,QH,QHE,QX,QXE,SB,SBE SH,SHE,SX,SXE,VA,VAA,VAAE,VB,VBE,VH,VHE,VX,VXE,WA,WAA,WH,WX
			-	-	-	1	1000113	





ZG40-E1100A

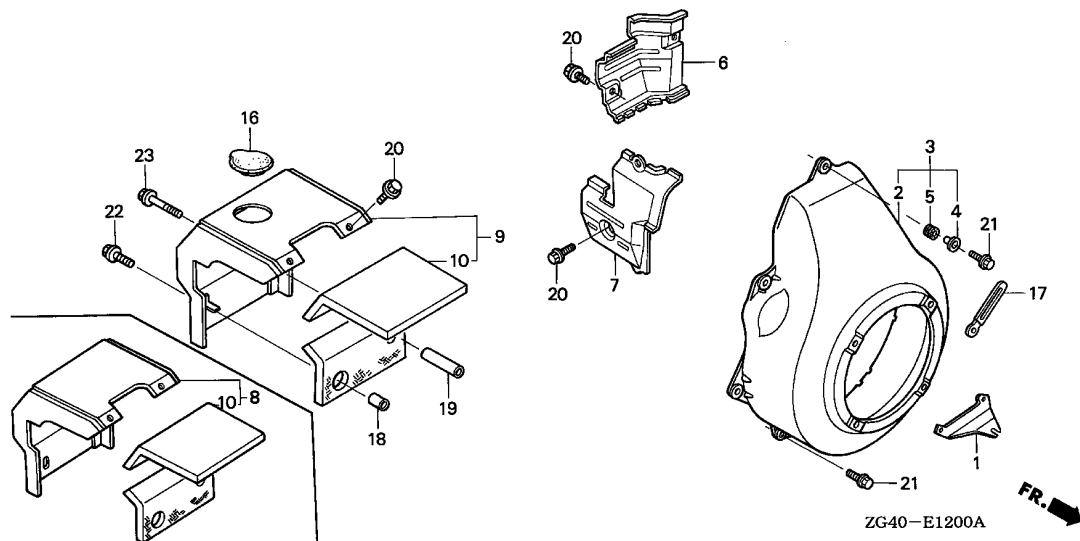
Ref. No.	Part No.	Description	Reqd. QTY				Serial No.	Parts catalogue code
			GD 320 (1)	GD 320 (2)	GD 321 (1)	GD 321 (2)		
16)	28462-ZG3-004	ROPE, STARTER	1	-	1	-	1000114	----- PAA,SJ,SJE,VAE,WJ,WJE
			1	-	-	-	-----	LH,LHE,LJ,LJE,LNE,QA,QAA,QAAE,QAE,QB,QBE,QH,QHE,QX,QXE,SB,SBE SH,SHE,SX,SXE,VA,VAA,VAAE,VB,VBE,VH,VHE,VX,VXE,WA,WAA,WH,WX
			-	1	-	-	-----	LHQ4,QHE4,SHE4,SXQ4,VGB
			-	-	1	-	1000114	----- LH,LHE,LJ,LJE,LNE,QA,QAA,QAAE,QAE,QB,QBE,QH,QHE,QX,QXE,SB,SBE SH,SHE,SX,SXE,VA,VAA,VAAE,VB,VBE,VH,VHE,VX,VXE,WA,WAA,WH,WX
17	28467-ZG3-880	PLATE, SIDE	1	-	1	-	1000114	----- QB,QBE,SB,SBE,VB,VBE,VGB
18	28469-ZE2-W01	GRIP, REINFORCEMENT	1	-	1	-	1000114	----- PAA,SJ,SJE,VAE,WJ,WJE
			1	-	-	-	-----	LH,LHE,LJ,LJE,LNE,QA,QAA,QAAE,QAE,QB,QBE,QH,QHE,QX,QXE,SB,SBE SH,SHE,SX,SXE,VA,VAA,VAAE,VB,VBE,VH,VHE,VX,VXE,WA,WAA,WH,WX
			-	1	-	-	-----	LHQ4,QHE4,SHE4,SXQ4,VGB
			-	-	1	-	1000114	----- LH,LHE,LJ,LJE,LNE,QA,QAA,QAAE,QAE,QB,QBE,QH,QHE,QX,QXE,SB,SBE SH,SHE,SX,SXE,VA,VAA,VAAE,VB,VBE,VH,VHE,VX,VXE,WA,WAA,WH,WX
19	90003-ZG0-003	BOLT, REEL COVER	1	-	1	-	1000114	----- 1000113 PAA,SJ,SJE,VAE,WJ,WJE
			1	-	-	-	-----	QN,QNE,SN,SNE,VN,VNE
			-	-	1	-	1000113	----- LH,LHE,LJ,LJE,LNE,QA,QAA,QAAE,QAE,QB,QBE,QH,QHE,QX,QXE,SB,SBE SH,SHE,SX,SXE,VA,VAA,VAAE,VB,VBE,VH,VHE,VX,VXE,WA,WAA,WH,WX
			-	-	-	1	1000113	----- 1000113



ZG40-E1100A

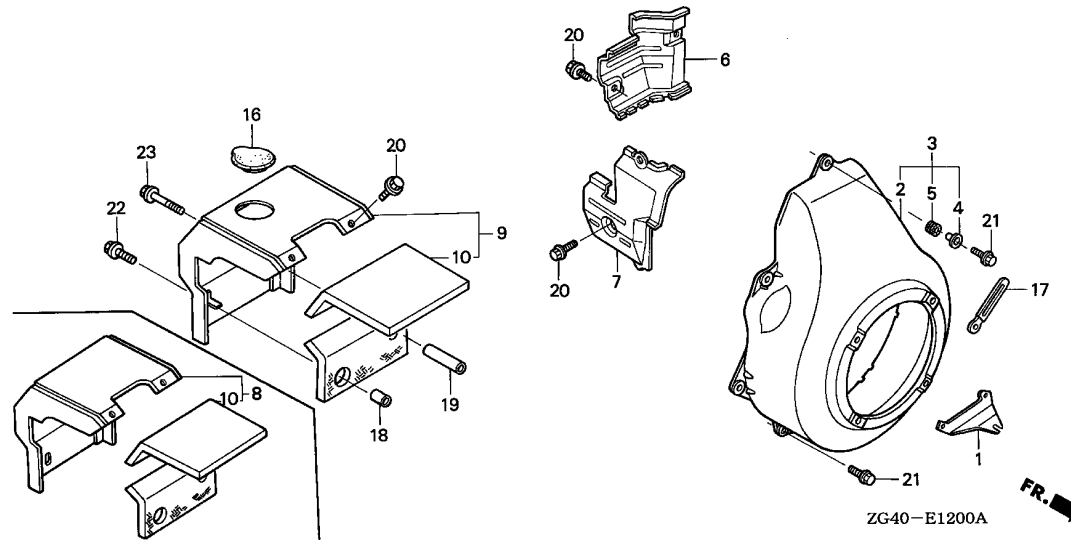


Ref. No.	Part No.	Description	Reqd. QTY				Serial No.	Parts catalogue code
			GD 320 (1)	GD 320 (2)	GD 321 (1)	GD 321 (2)		
19)	90003-ZG3-004	BOLT, 6MM	1	-	1	-	1000114	PAA,SJ,SJE,VAE,WJ,WJE
			1	-	-	-		LH,LHE,LJ,LJE,LNE,QA,QAA,QAAE,QAE,QB,QBE,QH,QHE,QX,QXE,SB,SBE
			-	1	-	-		SH,SHE,SX,SXE,VA,VAA,VAAE,VB,VBE,VH,VHE,VX,VXE,WA,WAA,WH,WX
			-	-	1	-		LHQ4,QHE4,SHE4,SXQ4,VGB
						1000114	LH,LHE,LJ,LJE,LNE,QA,QAA,QAAE,QAE,QB,QBE,QH,QHE,QX,QXE,SB,SBE	
						1000114	SH,SHE,SX,SXE,VA,VAA,VAAE,VB,VBE,VH,VHE,VX,VXE,WA,WAA,WH,WX	
20	90011-ZG0-000	BOLT, FLANGE, 6X8	4	4	4	4	1000114	
21	91501-ZG3-003	COLLAR	1	-	1	-	1000113	PAA,SJ,SJE,VAE,WJ,WJE
			1	-	-	-		QN,QNE,SN,SNE,VN,VNE
			-	-	1	-	1000113	LH,LHE,LJ,LJE,LNE,QA,QAA,QAAE,QAE,QB,QBE,QH,QHE,QX,QXE,SB,SBE
			-	-	-	-	1000113	SH,SHE,SX,SXE,VA,VAA,VAAE,VB,VBE,VH,VHE,VX,VXE,WA,WAA,WH,WX
	91501-ZG3-004	1	-	1	-	1000114	PAA,SJ,SJE,VAE,WJ,WJE
			1	-	-	-		LH,LHE,LJ,LJE,LNE,QA,QAA,QAAE,QAE,QB,QBE,QH,QHE,QX,QXE,SB,SBE
			-	1	-	-		SH,SHE,SX,SXE,VA,VAA,VAAE,VB,VBE,VH,VHE,VX,VXE,WA,WAA,WH,WX
			-	-	1	-		LHQ4,QHE4,SHE4,SXQ4,VGB
			-	-	1	-	1000114	LH,LHE,LJ,LJE,LNE,QA,QAA,QAAE,QAE,QB,QBE,QH,QHE,QX,QXE,SB,SBE
			-	-	-	1	1000114	SH,SHE,SX,SXE,VA,VAA,VAAE,VB,VBE,VH,VHE,VX,VXE,WA,WAA,WH,WX



Service item	F.R.T.
COVER COMP., ENGINE	0.1
.INSULATOR, ENGINE COVER	
.SHROUD	
COVER COMP., FAN	0.6

Ref. No.	Part No.	Description	Reqd. QTY				Serial No.	Parts catalogue code
			GD 320 (1)	GD 320 (2)	GD 321 (1)	GD 321 (2)		
1	16507-ZG3-610	HOLDER, STOP CABLE	-	(1)	-	(1)		
2	19610-ZG4-610ZA	COVER COMP., FAN *NH116M*URBAN SILVER METALLIC	1	1	-	-	LH,LHE,LJ,LJE,LNE,L1	
			-	-	1	1	1000102 LH,LHE,L1	
			-	-	1	-	1000079 LJ,LJE,LNE	
	19610-ZG4-000ZA	*NH116M*URBAN SILVER METALLIC	1	1	1	1	E1,LHQ4,PAA,QA,QAA,QAAE,QAQ,QB,QBE,QH,QHE,QHE4,QN,QNE,QX,QXE,Q1,SB,SBE,SH,SHE,SHE4,SJ,SJE,SN,SNE,SX,SXE,SXQ4,S1,VA,VAA,VAAE,VAE,VH,VHE,VN,VNE,VX,VXE,V1,WA,WAA,WH,WJ,WJE,WX,W1	
			-	-	1	1	1000103 LH,LHE,L1	
			-	-	1	-	1000080 LJ,LJE,LNE	
3	19610-ZG4-880ZA	COVER COMP., FAN *NH116M*URBAN SILVER METALLIC	1	-	1	-	VB,VBE,VGB	
	19610-ZG4-910ZA	*NH116M*URBAN SILVER METALLIC	1	-	1	-	STE	
4	19621-ZG3-880	COLLAR, FAN COVER	7	-	7	-	STE,VB,VBE,VGB	
5	19628-ZG3-880	RUBBER, FAN COVER	7	-	7	-	STE,VB,VBE,VGB	
6	19631-ZG4-000	SHROUD (A)	1	-	-	-	LH,LHE,LJ,LJE,LNE,PAA,QA,QAA,QAAE,QAQ,QB,QBE,QH,QHE,QX,QXE,SH,SHE,SJ,SJE,STE,SX,SXE,VA,VAA,VAAE,VAE,VH,VHE,VX,VXE,WA,WAA,WH,WJ,WJE,WX	
			-	1	1	1		
7	19632-ZG4-000	SHROUD (B)	1	-	-	-	LH,LHE,LJ,LJE,LNE,PAA,QA,QAA,QAAE,QAQ,QB,QBE,QH,QHE,QX,QXE,SH,SHE,SJ,SJE,SX,SXE,VA,VAA,VAAE,VAE,VH,VHE,VX,VXE,WA,WAA,WH,WJ,WJE,WX	
			1	-	-	-	1008404 STE	
	19632-ZG4-800		1	-	-	-	QB,QBE,QN,QNE,SB,SBE,SN,SNE,VB,VBE,VN,VNE	
			1	-	-	-	1008405 STE	
8	19690-ZG3-010ZA	COVER COMP., ENGINE *NH116M*URBAN SILVER METALLIC	1	-	-	-	QB,QN,QNE,SB,SN,SNE,VB,VN,VNE	
			1	-	-	-	1004888 QBE,SBE,VBE	

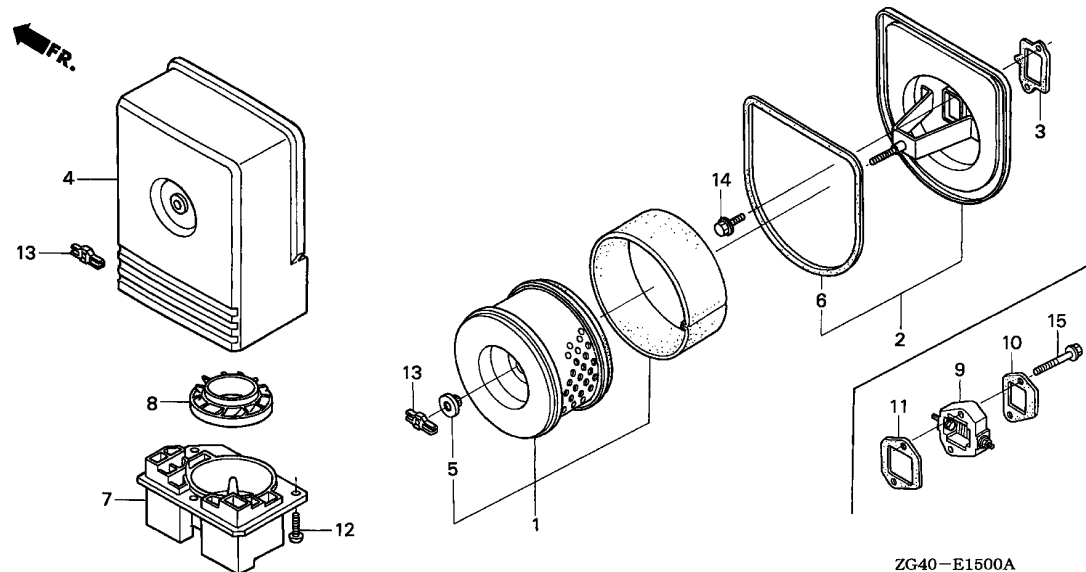


Ref. No.	Part No.	Description	Reqd. QTY				Serial No.	Parts catalogue code
			GD 320 (1)	GD 320 (2)	GD 321 (1)	GD 321 (2)		
9	19690-ZG3-800ZA	COVER COMP., ENGINE *NH116M*URBAN SILVER METALLIC	1	-	-	-	1004889 -----	QBE,SBE,VBE
10	19696-ZG3-000	INSULATOR, ENGINE COVER	1	-	-	-	-----	QB,QBE,QN,QNE,SB,SBE,SN,SNE,VB,VBE,VN,VNE
16	90852-ZG3-000	CAP, ENGINE COVER HOLE	1	-	-	-	1004889 -----	QBE,SBE,VBE
17	91413-679-000	CLIP, 2X70	1	-	-	-	1007846	STE
18	91552-ZG4-010	COLLAR, ENGINE COVER (A)(30MM)	1	-	-	-	-----	QB,QBE,QN,QNE,SB,SBE,SN,SNE,VB,VBE,VN,VNE
19	91553-ZG3-010	COLLAR, ENGINE COVER (B)(45MM)	1	-	-	-	-----	QB,QBE,QN,QNE,SB,SBE,SN,SNE,VB,VBE,VN,VNE
20	95701-06012-00	BOLT, FLANGE, 6X12	4	4	4	4	-----	
21	95701-06012-00	BOLT, FLANGE, 6X12	7	-	7	-	-----	LH,LHE,LHQ4,LJ,LJE,LNE,PAA,QA,QAA,QAAE,QAE,QB,QBE,QH,QHE,QHE4,QN,QNE,QX,QXE,SB,SBE,SH,SHE,SHE4,SJ,SJE,SN,SNE,SX,SXE,SXQ4,VA,VAA,VAAE,VAE,VH,VHE,VN,VNE,VX,VXE,WA,WAA,WH,WJ,WJE,WX
	95701-06020-00	BOLT, FLANGE, 6X20	-	7	-	7	-----	STE,VB,VBE,VGB
22	95701-06040-00	BOLT, FLANGE, 6X40	1	-	-	-	-----	QB,QBE,QN,QNE,SB,SBE,SN,SNE,VB,VBE,VN,VNE
23	95701-06055-00	BOLT, FLANGE, 6X55	1	-	-	-	-----	QB,QBE,QN,QNE,SB,SBE,SN,SNE,VB,VBE,VN,VNE

E-15

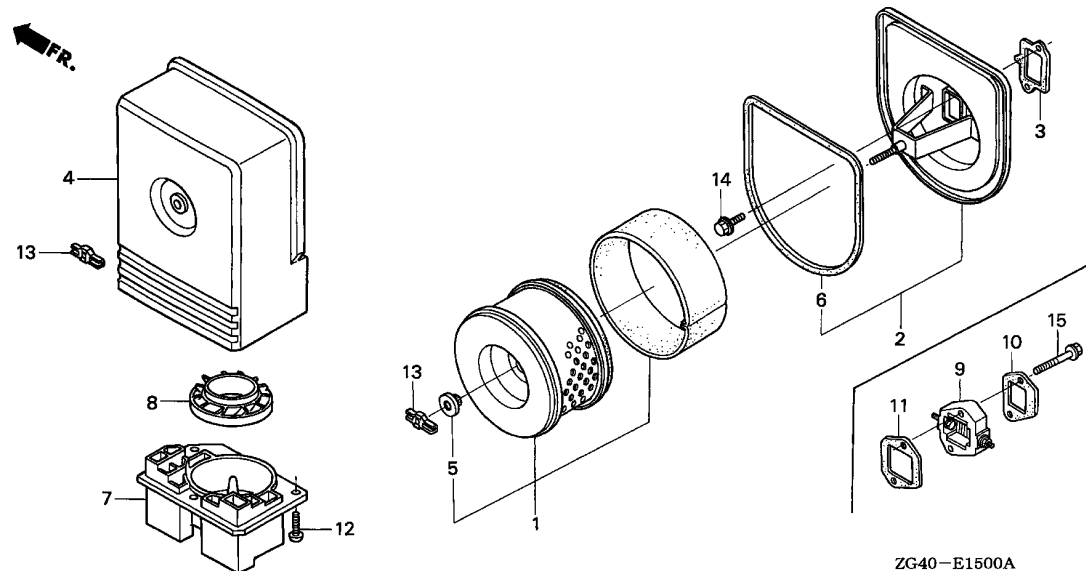
AIR CLEANER

E15



Service item	F.R.T.
CASE COMP., AIR CLEANER	0.1
.ELEMENT COMP., AIR CLEANER	
.PACKING, AIR CLEANER	
CASE, PRE CLEANER	0.2
.PACKING, IN. HEATER	

Ref. No.	Part No.	Description	Reqd. QTY				Serial No.	Parts catalogue code
			GD 320 (1)	GD 320 (2)	GD 321 (1)	GD 321 (2)		
1	17210-ZG3-003	ELEMENT COMP., AIR CLEANER ..	1	-	1	-	LH,LHE,LHQ4,LJ,LJE,LNE,QB,QBE,QH,QHE,QHE4,QN,QNE,QX,QXE,SB,SBE,SH,SHE,SHE4,SJ,SJE,SN,SNE,SX,SXE,SXQ4,VB,VBE,VGB,VH,VHE,VN,VNE,VX,VXE,WH,WJ,WJE,WX	
			-	1	-	(1)	QA,QAE	
	17210-ZG3-801	ELEMENT COMP., AIR CLEANER (WET)	1	-	1	-	PAA,QAA,QAAE,STE,VA,VAA,VAAE,VAE,WA,WAA	
			-	(1)	-	(1)	QA,QAE	
2	17220-ZG3-003	CASE COMP., AIR CLEANER	1	1	1	(1)		
	17220-ZJ7-870	CASE COMP., AIR CLEANER (ALERT)	-	-	-	(1)		
3	17228-ZG3-000	PACKING, AIR CLEANER	1	-	-	-	LH,LHE,LJ,LJE,LNE,QB,QBE,QN,QNE,SB,SBE,SN,SNE,VB,VBE,VN,VNE	
			1	-	-	-	1008849 SJ,SJE,WJ,WJE	
			1	-	-	-	1008874 PAA,QA,QAA,QAAE,QAE,QH,QHE,QX,QXE,SH,SHE,STE,SX,SXE,VA,VAA,VAAE,VAE,VH,VHE,VX,VXE,WA,WAA,WH,WX	
	17228-ZG3-800	PACKING, AIR CLEANER (NON ASBEST)	-	(1)	-	-		
			1	-	-	-	1008875 PAA,VAE	
			-	(1)	-	-	L1	
			-	(1)	-	-	1008886 E1,Q1,S1,V1,W1	
			-	-	1	1		
			1	-	-	-	1008850 SJ,SJE,WJ,WJE	
			1	-	-	-	1008875 QA,QAA,QAAE,QAE,QH,QHE,QX,QXE,SH,SHE,STE,SX,SXE,VA,VAA,VAAE,VH,VHE,VX,VXE,WA,WAA,WH,WX	
			-	1	-	-	1008887 E1,Q1,S1,V1,W1	
			-	-	1	-	LHQ4,QHE4,SHE4,SXQ4	
4	17230-ZG3-000	COVER COMP., AIR CLEANER	1	1	1	(1)		
5	17232-ZG3-003	GROMMET, AIR CLEANER	1	1	1	(1)		



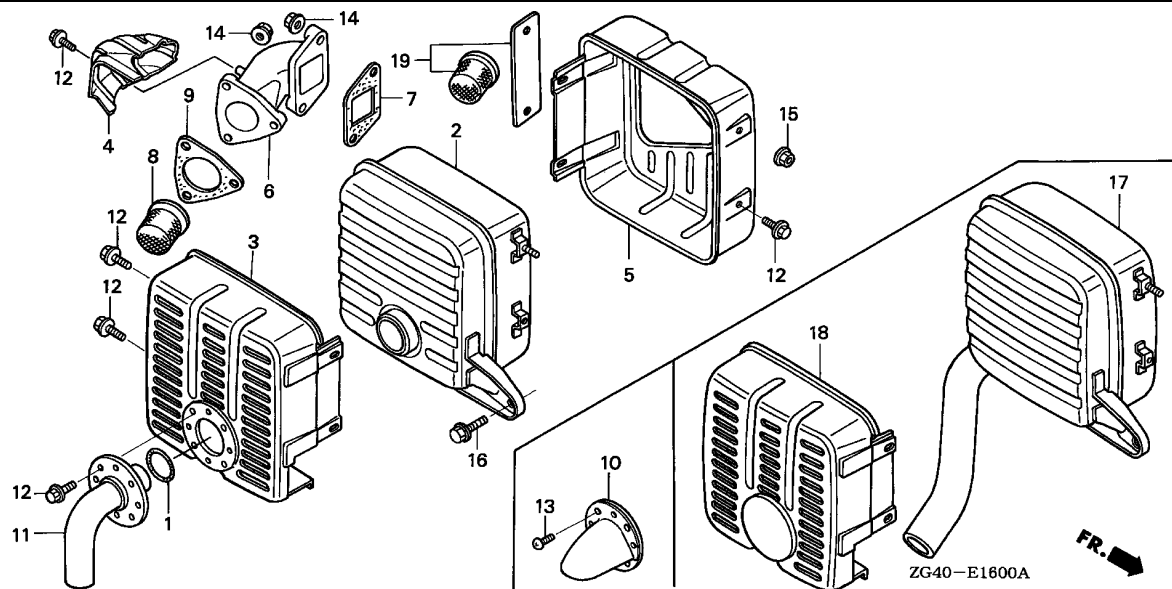
Ref. No.	Part No.	Description	Reqd. QTY				Serial No.	Parts catalogue code
			GD 320 (1)	GD 320 (2)	GD 321 (1)	GD 321 (2)		
6	17406-ZG3-000	PACKING, AIR CLEANER CASE ...	1	1	1	(1)		
7	17471-ZG3-000	CASE, PRE CLEANER	1	-	1	-	-----	LH,LHE,LHQ4,LJ,LJE,LNE,PAA,QA,QAA,QAAE,QAE,QH,QHE,QHE4,QN,QNE QX,QXE,SH,SHE,SHE4,SJ,SJE,SN,SNE,STE,SX,SXE,SXQ4,VA,VAA,VAAE VAE,VH,VHE,VN,VNE,VX,VXE,WA,WAA,WH,WJ,WJE,WX
	17471-ZG3-880	CASE, PRE AIR CLEANER (N3) ..	-	1	-	(1)	-----	QB,QBE,SB,SBE,VB,VBE,VGB
8	17476-ZG3-003	GUIDE, PRE AIR CLEANER	1	1	1	(1)		
9	38750-ZG3-611	HEATER ASSY., IN.	-	(1)	-	(1)	-----	L1,Q1,S1,V1,W1
10	38756-ZG3-610	PACKING, IN. HEATER (A)	-	(1)	-	(1)	-----	L1,Q1,S1,V1,W1
11	38757-ZG3-610	PACKING, IN. HEATER (B)	-	(1)	-	(1)	-----	L1,Q1,S1,V1,W1
12	90142-MB0-000	SCREW, PAN, 5X16.5	3	3	3	(3)		
13	90203-PB2-000	NUT, AIR CLEANER COVER (DACRO COATING)	2	2	2	(2)		
14	95701-08022-00	BOLT, FLANGE, 8X22	2	2	2	2		
15	95701-08050-00	BOLT, FLANGE, 8X50	-	(2)	-	(2)	-----	L1,Q1,S1,V1,W1



E-16

MUFFLER(1)

F 1



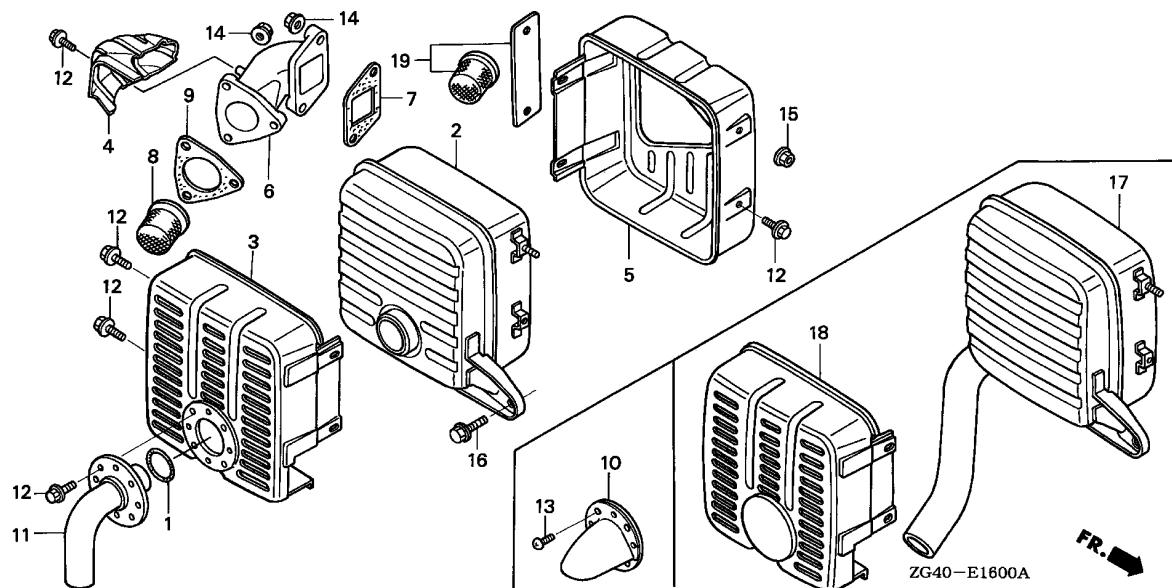
Service item	F.R.T.
ARRESTER, SPARK	0.2
.GASKET, EX. PIPE	
.GASKET, MUFFLER	
MUFFLER COMP.	0.3
.PIPE, EX.	
.PROTECTOR A, MUFFLER	
.PROTECTOR B, MUFFLER	

2

Ref. No.	Part No.	Description	Reqd. QTY				Serial No.	Parts catalogue code
			GD 320 (1)	GD 320 (2)	GD 321 (1)	GD 321 (2)		
1	18291-MN5-650	GASKET, EX. PIPE	1	-	1	-	LNE	
2	18310-ZG3-003	MUFFLER COMP.	1	-	1	-	LH,LHE,LHQ4,LJ,LJE,LNE,PAA,QA,QAA,QAAE,QAE,QH,QHE,QHE4,QX,QXE SH,SHE,SHE4,SJ,SJE,SX,SXE,SXQ4,VA,VAA,VAE,VAE,VH,VHE,VX,VXE WA,WAA,WH,WJ,WJE,WX	
3	18321-ZG3-003	PROTECTOR A, MUFFLER	1	-	1	-	LH,LHE,LHQ4,LJ,LJE,LNE,PAA,QA,QAA,QAAE,QAE,QH,QHE,QHE4,QX,QXE SH,SHE,SHE4,SJ,SJE,SX,SXE,SXQ4,VA,VAA,VAE,VAE,VH,VHE,VX,VXE WA,WAA,WH,WJ,WJE,WX	
	18321-ZG3-800	-	(1)	-	(1)		
4	18323-ZG3-800	PROTECTOR, EX. PIPE	1	-	1	-	LNE	
			1	-	-	-	QA,QAE	
			(1)	-	1	-	LJ,LJE,SJ,SJE,WJ,WJE	
			-	(1)	-	(1)		
5	18325-ZG3-003	PROTECTOR B, MUFFLER	1	-	1	-	1005009 QA,QAE	
			1	-	-	-	LH,LHE,LHQ4,LJ,LJE,LNE,PAA,QA,QAA,QAAE,QAE,QH,QHE,QHE4,QX,QXE SH,SHE,SHE4,SJ,SJE,SX,SXE,SXQ4,VA,VAA,VAE,VAE,VH,VHE,VX,VXE WA,WAA,WH,WJ,WJE,WX	
	18325-ZG3-800	-	(1)	-	(1)		
	18325-ZG3-880	-	-	-	(1)		
6	18331-ZG3-000	PIPE, EX.	1	-	-	-	PAA,VAE	
	18331-ZG3-800	1	-	1	-	LJ,LJE,LNE,SJ,SJE,WJ,WJE	
			1	-	-	-	1005009 QA,QAE	
			-	(1)	-	(1)		

Ref. No.	Part No.	Description	Reqd. QTY				Serial No.	Parts catalogue code
			GD 320 (1)	GD 320 (2)	GD 321 (1)	GD 321 (2)		
(6)	18331-ZG3-000	PIPE, EX.	1	-	1	-	LH,LHE,LHQ4,QAA,QAAE,QH,QHE,QHE4,QX,QXE,SH,SHE,SHE4,SX,SXE SXQ4,VA,VAA,VAAE,VH,VHE,VX,VXE,WA,WAA,WH,WX STE 1005010 QA,QAE	
			-	(1)	(1)			
7	18333-ZG3-000	GASKET, EX. PIPE	1	-	1	-	PAA,QA,QAE,VAE 1008212 LH,LHE,QA,QAA,QAAE,QAE,QH,QHE,QX,QXE,SH,SHE,SJ,SJE,STE,SX,SXE VA,VAA,VAAE,VH,VHE,VX,VXE,WA,WAA,WH,WJ,WJE,WX 1008484 LJ,LJE,LNE 1008489 PAA,VAE 1008886	
			-	(1)	-			
	18333-ZG3-800	GASKET, EX. PIPE (NON ASBEST)	1	-	-	-	1008213 LH,LHE,QA,QAA,QAAE,QAE,QH,QHE,QX,QXE,SH,SHE,SJ,SJE,STE,SX,SXE VA,VAA,VAAE,VH,VHE,VX,VXE,WA,WAA,WH,WJ,WJE,WX 1008485 LJ,LJE,LNE 1008490 PAA,VAE 1008886	
			-	(1)	-			
			-	-	1	-	LH,LHE,LHQ4,LJ,LJE,LNE,PAA,QA,QAA,QAAE,QAE,QH,QHE,QHE4,QX,QXE SH,SHE,SHE4,SJ,SJE,SX,SXE,SXQ4,VA,VAA,VAAE,VAE,VH,VHE,VX,VXE WA,WAA,WH,WJ,WJE,WX	
			-	-	-	1	1008887	
8	18355-ZG3-000	ARRESTER, SPARK	1	-	1	-	PAA,QAA,QAAE,VAA,VAAE,WAA 1005009 QA,QAE	
			-	(1)	(1)			
9	18381-ZG3-000	GASKET, MUFFLER	1	-	-	-	QA,QAE,VA,VAE,WA 1008212 LH,LHE,QA,QAA,QAAE,QAE,QH,QHE,QX,QXE,SH,SHE,SJ,SJE,STE,SX,SXE VA,VAA,VAAE,VH,VHE,VX,VXE,WA,WAA,WH,WJ,WJE,WX 1008484 LJ,LJE,LNE 1008489 PAA,VAE 1008210	
			-	(1)	-			
	18381-ZG3-800	GASKET, MUFFLER (NON ASBEST)	1	-	-	-	1008213 LH,LHE,QA,QAA,QAAE,QAE,QH,QHE,QX,QXE,SH,SHE,SJ,SJE,STE,SX,SXE VA,VAA,VAAE,VH,VHE,VX,VXE,WA,WAA,WH,WJ,WJE,WX 1008485 LJ,LJE,LNE 1008490 PAA,VAE	
			-	(1)	1	-	LH,LHE,LHQ4,LJ,LJE,LNE,L1,PAA,QA,QAA,QAAE,QAE,QH,QHE,QHE4,QX QXE,SH,SHE,SHE4,SJ,SJE,SX,SXE,SXQ4,VA,VAA,VAAE,VAE,VH,VHE,VX VXE,WA,WAA,WH,WJ,WJE,WX	
			-	(1)	-		1008886 E1,Q1,S1,V1,W1	
			-	-	-	1	1008887 E1,Q1,S1,V1,W1	
10	18431-ZG3-800	DEFLECTOR, MUFFLER	(1)	-	(1)	-	PAA,QA,QAA,QAAE,QAE,VA,VAA,VAAE,VAE,WA,WAA	
			-	(1)	(1)			
11	18431-ZG3-810	DEFLECTOR, MUFFLER	1	-	1	-	LNE	
12	90002-ZG3-000	BOLT, FLANGE, 5X8	3	-	3	-	LH,LHE,LHQ4,PAA,QAAE,QAE,QH,QHE,QHE4,QX,QXE,SH,SHE,SHE4,SX,SXE SXQ4,VA,VAA,VAAE,VAE,VH,VHE,VX,VXE,WA,WAA,WH,WX QA,QAA LJ,LJE,SJ,SJE,WJ,WJE LNE	
			3	-	-	-		
			5	-	5	-		
			9	-	9	-		
			-	3	-	3		
			-	-	3	-	QB,QBE,SB,SBE,VB,VBE	
			-	-	3	-	1005009 QA,QAA	
			2	-	-	-	1005010 QA,QAE	
			-	(2)	(2)			
13	93500-05008-0B	SCREW, PAN, 5X8	(4)	-	(4)	-	QA,QAA,QAAE,QAE,VA,VAA,VAAE,WA,WAA	
			-	(4)	(4)			
			-	-	(4)	-	PAA,VAE	
	93500-05008-00	(4)	-	-	-	PAA,VAE	



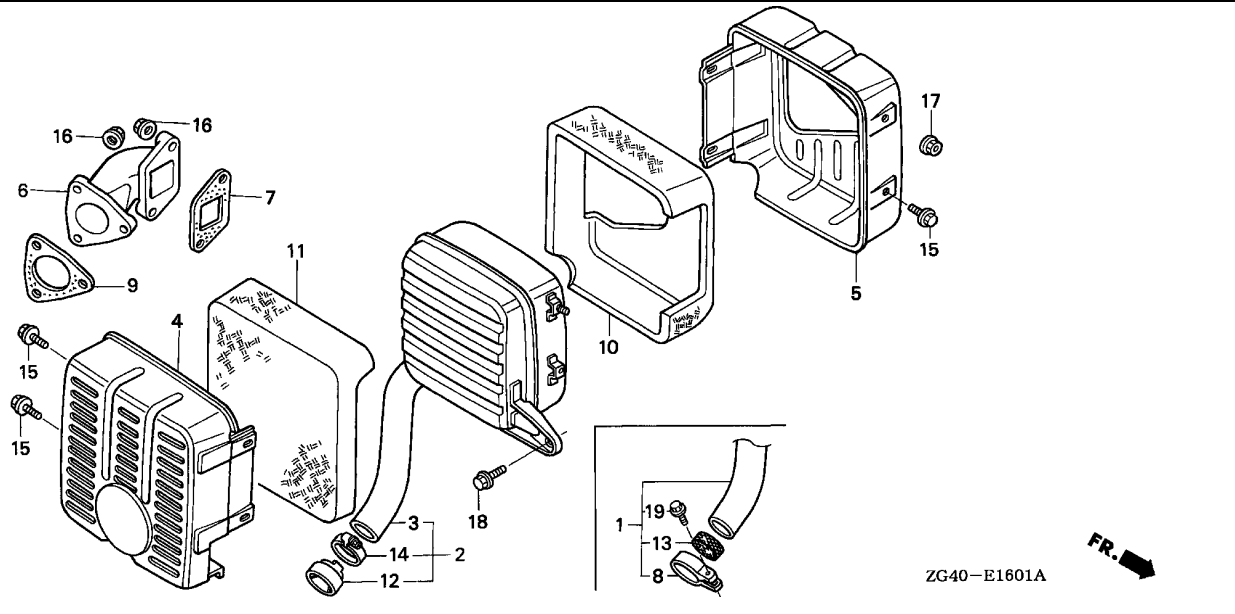


Ref. No.	Part No.	Description	Reqd. QTY				Serial No.	Parts catalogue code
			GD 320 (1)	GD 320 (2)	GD 321 (1)	GD 321 (2)		
14	94050-08000	NUT, FLANGE, 8MM	5	-	5	(5)	-----	LH,LHE,LHQ4,LJ,LJE,LNE,PAA,QA,QAA,QAAE,QAE,QH,QHE,QHE4,QX,QXE SH,SHE,SHE4,SJ,SJE,STE,SX,SXE,SXQ4,VA,VAA,VAAE,VAE,VH,VHE,VX VXE,V1,WA,WAA,WH,WJ,WJE,WX
			-	(5)	-	-	-----	QB,QBE,SB,SBE,VB,VBE
15	94050-08020	NUT, FLANGE, 8MM	1	-	1	-	-----	LH,LHE,LHQ4,LJ,LJE,LNE,PAA,QA,QAA,QAAE,QAE,QH,QHE,QHE4,QX,QXE SH,SHE,SHE4,SJ,SJE,SX,SXE,SXQ4,VA,VAA,VAAE,VAE,VH,VHE,VX,VXE WA,WAA,WH,WJ,WJE,WX
			-	1	-	-	-----	1004885
			-	-	1	-	-----	QB,QBE,SB,SBE,VB,VBE
			-	(1)	-	-	-----	1004886
			-	-	-	(1)	-----	
16	95701-08020-00	BOLT, FLANGE, 8X20	1	-	1	-	-----	LH,LHE,LHQ4,LJ,LJE,LNE,PAA,QA,QAA,QAAE,QAE,QH,QHE,QHE4,QX,QXE SH,SHE,SHE4,SJ,SJE,SX,SXE,SXQ4,VA,VAA,VAAE,VAE,VH,VHE,VX,VXE WA,WAA,WH,WJ,WJE,WX
17	18310-ZJ7-870	MUFFLER COMP.	-	1	-	1	-----	
18	18321-ZG3-880	PROTECTOR A, MUFFLER	-	-	-	(1)	-----	
19	06180-ZG3-930	ARRESTER KIT, SPARK	(1)	-	(1)	-	-----	VA,VAE,WA
			-	-	(1)	-	-----	QA,QAE

E-16-1

MUFFLER(2)

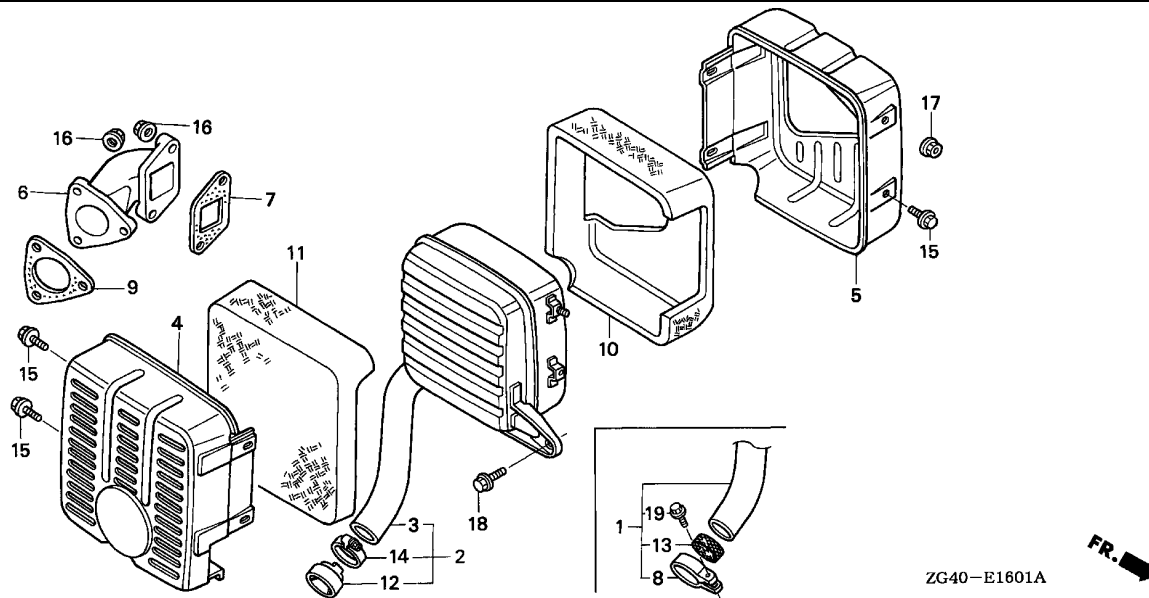
F 4



Service item	F.R.T.
SCREEN	0.1
GASKET, EX. PIPE	0.2
.PIPE, EX.	
.PROTECTOR A, MUFFLER	
.PROTECTOR B, MUFFLER	
.WOOL A, GLASS	
.WOOL B, GLASS	
MUFFLER COMP.	0.3

Ref. No.	Part No.	Description	Reqd. QTY				Serial No.	Parts catalogue code
			GD 320 (1)	GD 320 (2)	GD 321 (1)	GD 321 (2)		
1	18310-ZG3-801	MUFFLER COMP.	1	-	-	-	QN,QNE,SN,SNE,VN,VNE	
2	18310-ZG3-802	MUFFLER COMP.	1	-	-	-	1004888 QB,QBE,SB,SBE,VB,VBE	
	18310-ZG3-920	MUFFLER COMP. (BOSCH)	-	-	1	-	1004889 QB,QBE,SB,SBE,VB,VBE	
3	18310-ZJ7-870	MUFFLER COMP.	-	-	-	(1)	QB,QBE,SB,SBE,VB,VBE,VGB	
4	18321-ZG3-811	PROTECTOR A, MUFFLER	1	-	-	-	QN,QNE,SN,SNE,VN,VNE	
	18321-ZG3-880	1	-	1	-	QB,QBE,SB,SBE,VB,VBE,VGB	
			-	-	-	(1)		
5	18325-ZG3-811	PROTECTOR B, MUFFLER	1	-	-	-	QN,QNE,SN,SNE,VN,VNE	
	18325-ZG3-880	1	-	1	-	QB,QBE,SB,SBE,VB,VBE,VGB	
			-	-	-	(1)		
6	18331-ZG3-000	PIPE, EX.	1	-	1	-	QB,QBE,QN,QNE,SB,SBE,SN,SNE,VB,VBE,VGB,VN,VNE	
7	18333-ZG3-000	GASKET, EX. PIPE	1	-	-	-	QN,QNE,SN,SNE,VN,VNE	
			1	-	-	-	1008217 QB,QBE,SB,SBE,VB,VBE	
	18333-ZG3-800	GASKET, EX. PIPE (NON ASBEST)	1	-	-	-	1008218 QB,QBE,SB,SBE,VB,VBE	
			-	-	1	-	QB,QBE,SB,SBE,VB,VBE,VGB	
8	18371-GS9-000	BAND, MUFFLER	1	-	-	-	QN,QNE,SN,SNE,VN,VNE	
			1	-	-	-	1004888 QB,QBE,SB,SBE,VB,VBE	
9	18381-ZG3-000	GASKET, MUFFLER	1	-	-	-	QN,QNE,SN,SNE,VN,VNE	
			1	-	-	-	1008217 QB,QBE,SB,SBE,VB,VBE	
	18381-ZG3-800	GASKET, MUFFLER (NON ASBEST)	1	-	-	-	1008218 QB,QBE,SB,SBE,VB,VBE	
			-	-	1	-	QB,QBE,SB,SBE,VB,VBE,VGB	
10	18463-ZG3-880	WOOL A, GLASS	1	-	1	-	QB,QBE,SB,SBE,VB,VBE,VGB	
11	18464-ZG3-880	WOOL B, GLASS	1	-	1	-	QB,QBE,SB,SBE,VB,VBE,VGB	
12	18545-ZG3-920	SCREEN COMP.	1	-	-	-	1004889 QB,QBE,SB,SBE,VB,VBE	
			-	-	1	-	QB,QBE,SB,SBE,VB,VBE,VGB	





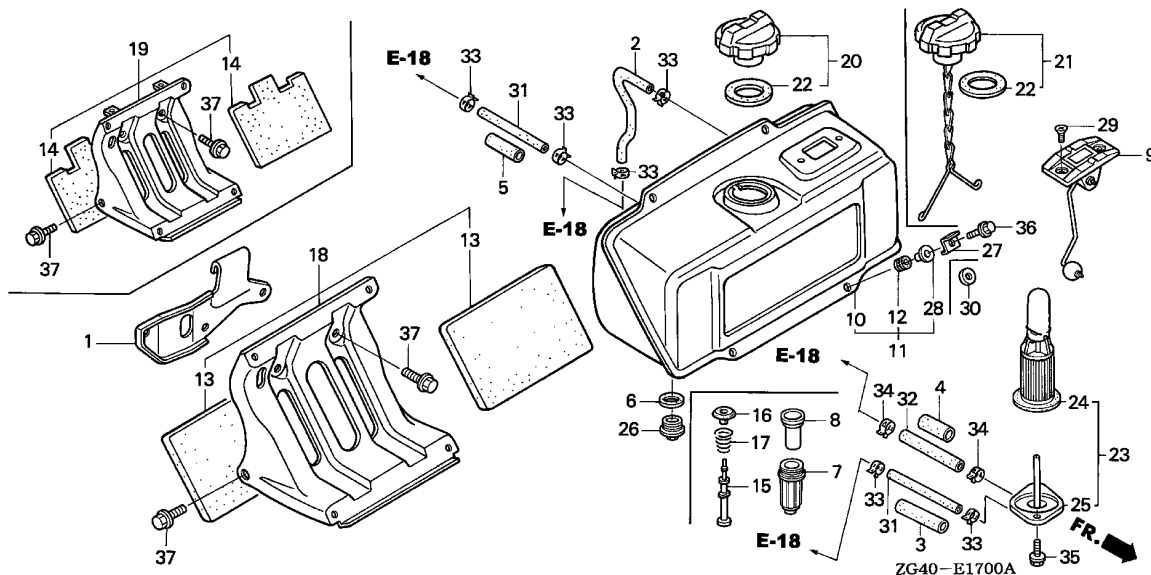
ZG40-E1601A

Ref. No.	Part No.	Description	Reqd. QTY				Serial No.	Parts catalogue code
			GD 320 (1)	GD 320 (2)	GD 321 (1)	GD 321 (2)		
13	18547-ZG3-000	SCREEN	1	-	-	-	----- QN,QNE,SN,SNE,VN,VNE	
14	19516-MB6-000	CLAMP, WATER HOSE	1	-	-	-	1004888 QB,QBE,SB,SBE,VB,VBE	
15	90002-ZG3-000	BOLT, FLANGE, 5X8	3	-	3	-	----- QB,QBE,SB,SBE,VB,VBE,VGB	
			-	-	-	(3)	----- QB,QBE,QN,QNE,SB,SBE,SN,SNE,VB,VBE,VGB,VN,VNE	
16	94050-08000	NUT, FLANGE, 8MM	5	-	5	-	----- QB,QBE,QN,QNE,SB,SBE,SN,SNE,VB,VBE,VGB,VN,VNE	
17	94050-08020	NUT, FLANGE, 8MM	1	-	1	-	----- QB,QBE,QN,QNE,SB,SBE,SN,SNE,VB,VBE,VGB,VN,VNE	
18	95701-08020-00	BOLT, FLANGE, 8X20	1	-	1	-	----- QB,QBE,QN,QNE,SB,SBE,SN,SNE,VB,VBE,VGB,VN,VNE	
19	95701-08035-00	BOLT, FLANGE, 8X35	1	-	-	-	----- QN,QNE,SN,SNE,VN,VNE	
	95701-08030-00	BOLT, FLANGE, 8X30	1	-	-	-	1004888 QB,QBE,SB,SBE,VB,VBE	

E-17

FUEL TANK(1)

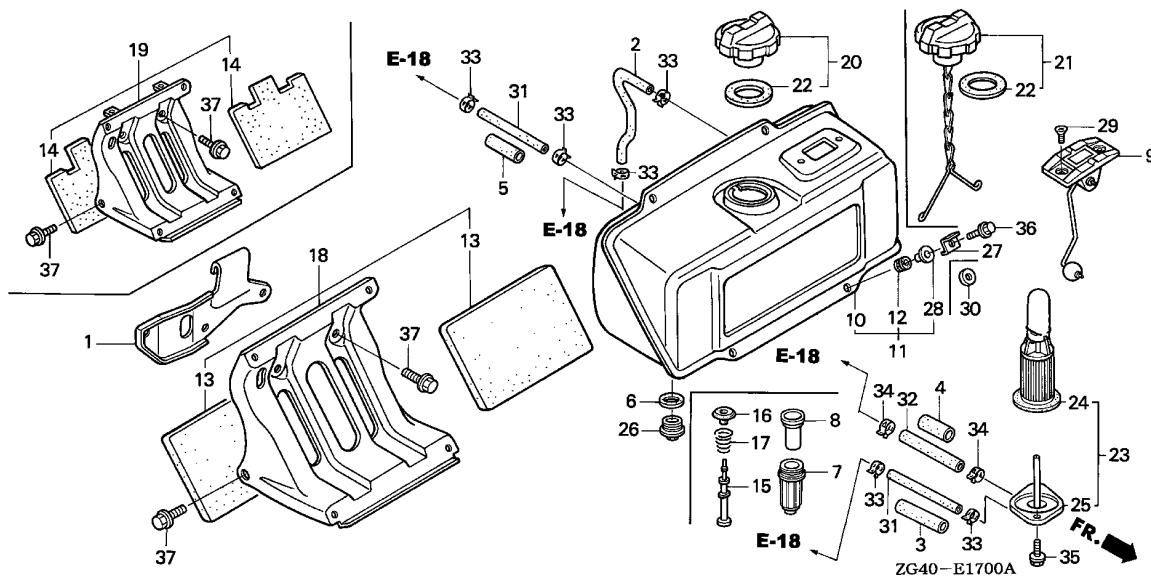
F 6



Service item	F.R.T.
GAUGE ASSY., FUEL	0.1
TUBE, FUEL	0.2
.TUBE, FUEL, 4.5X100	
.TUBE, FUEL, 8X90	
FILTER ASSY., FUEL	0.3
.TANK COMP., FUEL	
STAY COMP., FUEL TANK	0.4

Ref. No.	Part No.	Description	Reqd. QTY				Serial No.	Parts catalogue code
			GD 320 (1)	GD 320 (2)	GD 321 (1)	GD 321 (2)		
1	11911-ZG3-000	HANGER, ENGINE	1	-	-	-	LH,LHE,LJ,LJE,LNE,PAA,QA,QAA,QAAE,QAE,QB,QBE,QH,QHE,QN,QNE,QX,QXE,SB,SBE,SH,SHE,SJ,SJE,SN,SNE,SX,SXE,VA,VAA,VAAE,VAE,VB,VBE,VH,VHE,VN,VNE,VX,VXE,WA,WAA,WH,WJ,WJE,WX	
2	16346-ZG4-000	TUBE, FUEL	1	1	1	1	LH,LHE,LHQ4,LJ,LJE,LNE,PAA,QA,QAA,QAAE,QAE,QB,QBE,QH,QHE,QHE4,QN,QNE,QX,QXE,SB,SBE,SH,SHE,SHE4,SJ,SJE,SN,SNE,SX,SXE,SXQ4,VA,VAA,VAAE,VAE,VB,VBE,VGB,VH,VHE,VN,VNE,VX,VXE,WA,WAA,WH,WJ,WJE,WX	
3	16854-ZG3-000	RUBBER, SUPPORTER (9X48)	1	(1)	1	(1)	LH,LHE,LHQ4,LJ,LJE,LNE,PAA,QA,QAA,QAAE,QAE,QB,QBE,QH,QHE,QHE4,QN,QNE,QX,QXE,SB,SBE,SH,SHE,SHE4,SJ,SJE,SN,SNE,SX,SXE,SXQ4,VA,VAA,VAAE,VAE,VB,VBE,VGB,VH,VHE,VN,VNE,VX,VXE,WA,WAA,WH,WJ,WJE,WX	
4	16857-ZG3-000	RUBBER, SUPPORTER (B)	1	(1)	1	(1)	LH,LHE,LHQ4,LJ,LJE,LNE,PAA,QA,QAA,QAAE,QAE,QB,QBE,QH,QHE,QHE4,QN,QNE,QX,QXE,SB,SBE,SH,SHE,SHE4,SJ,SJE,SN,SNE,SX,SXE,SXQ4,VA,VAA,VAAE,VAE,VB,VBE,VGB,VH,VHE,VN,VNE,VX,VXE,WA,WAA,WH,WJ,WJE,WX	
5	16858-ZG3-000	RUBBER, SUPPORTER (9X30)	1	(1)	1	(1)	LH,LHE,LHQ4,LJ,LJE,LNE,PAA,QA,QAA,QAAE,QAE,QB,QBE,QH,QHE,QHE4,QN,QNE,QX,QXE,SB,SBE,SH,SHE,SHE4,SJ,SJE,SN,SNE,SX,SXE,SXQ4,VA,VAA,VAAE,VAE,VB,VBE,VGB,VH,VHE,VN,VNE,VX,VXE,WA,WAA,WH,WJ,WJE,WX	
			-	(1)	-	(1)		



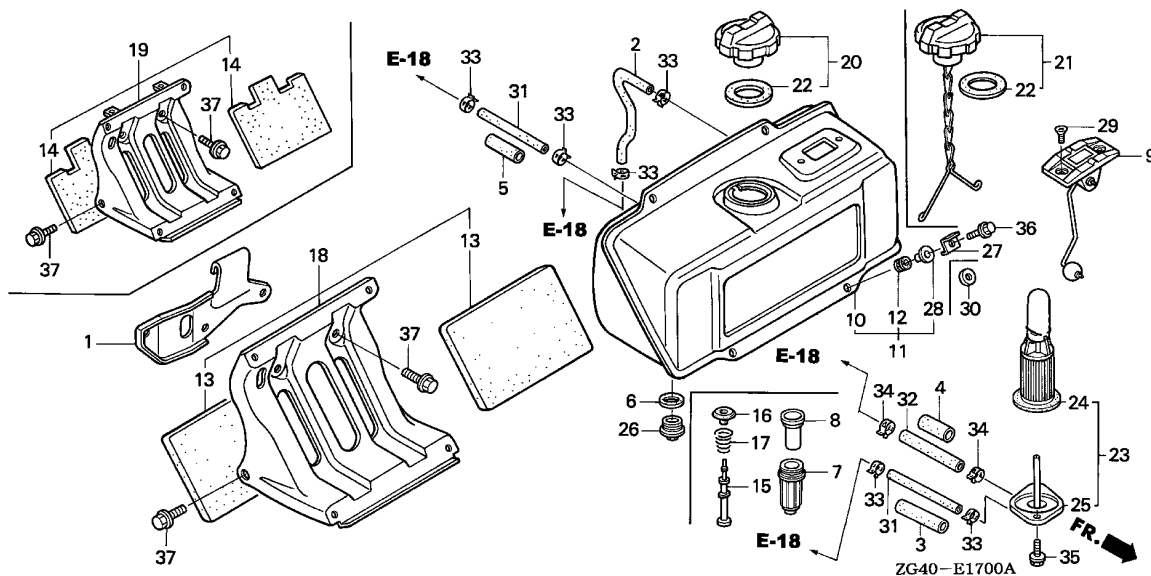


ZG40-E1700A

Ref. No.	Part No.	Description	Reqd. QTY				Serial No.	Parts catalogue code
			GD 320 (1)	GD 320 (2)	GD 321 (1)	GD 321 (2)		
6	16963-443-901	GASKET	1	-	1	-	LH,LHE,LHQ4,LJ,LJE,LNE,PAA,QA,QAA,QAAE,QAE,QB,QBE,QH,QHE,QHE4,QN,QNE,QX,QXE,SB,SBE,SH,SHE,SHE4,SJ,SJE,SN,SNE,SX,SXE,SXQ4,VAA,VAAE,VAE,VB,VBE,VGB,VH,VHE,VN,VNE,VX,VXE,WA,WAA,WH,WJ,WJE,WX	
7	16965-443-901	CUP HOLDER	-	(1)	-	(1)		
8	16967-196-005	CUP, FUEL STRAINER	-	(1)	-	(1)		
9	17505-ZG3-801	GAUGE ASSY., FUEL	1	-	1	-	LNE,PAA,QAA,QAAE,QX,QXE,SX,SXE,SXQ4,VA,VAA,VAAE,VAE,VGB,VX,VXE,WA,WAA,WX	
			1	-	-	1005010	QA,QAE	
			-	(1)	-	(1)		
10	17510-ZG3-000ZA	TANK COMP., FUEL (4.5L) *R8*.....BRIGHT RED	1	-	-	-	LH,LHE,LJ,LJE,QB,QBE,QH,QHE,QN,QNE,SB,SBE,SH,SHE,SJ,SJE,SN,SNE,VH,VHE,VN,VNE,WH,WJ,WJE	
			1	-	-	-	1005009 QA,QAE	
			-	(1)	-	-		
	17510-ZG3-000ZB	TANK COMP., FUEL *NH105*...MAT BLACK (#15-#20)	-	-	1	-	LH,LHE,LHQ4,LJ,LJE,QB,QBE,QH,QHE,QHE4,SB,SBE,SH,SHE,SHE4,SJ,SJE,VB,VBE,VH,VHE,WH,WJ,WJE	
			-	-	-	(1)		
	17510-ZG3-800ZA	TANK COMP., FUEL (GAUGE) *R8*.....BRIGHT RED	1	-	-	-	LNE,PAA,VAE	
	17510-ZG3-800ZB	*NH105*...MAT BLACK (#15-#20)	-	-	1	-	LNE,PAA,QA,QAA,QAAE,QAE,QX,QXE,SX,SXE,SXQ4,VA,VAA,VAAE,VAE,VX,VXE,WA,WAA,WX	
			-	-	-	(1)		

Ref. No.	Part No.	Description	Reqd. QTY				Serial No.	Parts catalogue code	
			GD 320 (1)	GD 320 (2)	GD 321 (1)	GD 321 (2)			
10)	17510-ZG3-800ZA	TANK COMP., FUEL (GAUGE) *R8*.....BRIGHT RED	1	-	-	-	-----	QAA,QAAE,QX,QXE,SX,SXE,VA,VAA,VAE,VX,VXE,WA,WAA,WX	
			1	-	-	-	1005010	-----	QA,QAE
			-	(1)	-	-	-	-	-
			-	-	1	-	-	-	SXQ4,VGB
11	17510-ZG3-880ZA	TANK COMP., FUEL (N3) *R8*.....BRIGHT RED	1	-	-	-	-----	-----	VB,VBE
12	17515-ZG3-880	RUBBER, TANK MOUNTING	4	-	-	-	-----	-----	VB,VBE
13	17535-ZG3-000	SEAT, TANK STAY	2	-	2	-	-----	-----	LH,LHE,LHQ4,LJ,LJE,LNE,PAA,QA,QAA,QAAE,QAE,QH,QHE,QHE4,QX,QXE SH,SHE,SHE4,SJ,SJE,SX,SXE,SXQ4,VA,VAA,VAE,VAE,VH,VHE,VX,VXE WA,WAA,WH,WJ,WJE,WX
			-	(2)	-	(2)	-	-	-
14	17535-ZG3-800	SEAT, TANK STAY (A)	2	-	2	-	-----	-----	QB,QBE,QN,QNE,SB,SBE,SN,SNE,VB,VBE,VGB,VN,VNE
15	17546-ZG3-800	PIN, FUEL STOPPER	-	(1)	-	(1)	-	-	-
16	17547-ZG3-800	VALVE, FUEL STOPPER	-	(1)	-	(1)	-	-	-
17	17548-ZG3-800	SPRING, FUEL STOPPER	-	(1)	-	(1)	-	-	-
18	17560-ZG3-000	STAY COMP., FUEL TANK	1	-	1	-	-----	-----	LH,LHE,LHQ4,LJ,LJE,LNE,PAA,QA,QAA,QAAE,QAE,QH,QHE,QHE4,QX,QXE SH,SHE,SHE4,SJ,SJE,SX,SXE,SXQ4,VA,VAA,VAE,VAE,VH,VHE,VX,VXE WA,WAA,WH,WJ,WJE,WX
			-	(1)	-	(1)	-	-	-
19	17560-ZG3-800	STAY COMP., FUEL TANK	1	-	-	-	-----	-----	QB,QBE,QN,QNE,SB,SBE,SN,SNE,VB,VBE,VN,VNE
	17560-ZJ7-880	STAY COMP., FUEL TANK (EEC) ..	-	-	1	-	-----	-----	QB,QBE,SB,SBE,VB,VBE,VGB
20	17620-ZG3-003	CAP COMP., FUEL FILLER	1	-	1	-	-----	-----	LNE,PAA,QAA,QAAE,QX,QXE,SX,SXE,SXQ4,VA,VAA,VAE,VAE,VGB,VX,VXE WA,WAA,WX
			1	-	-	-	1005010	-----	QA,QAE
			1	-	-	-	-----	1000167	SJ,SJE,WJ
			-	(1)	-	(1)	-	-	-
			-	-	1	-	-	-	QA,QAE
21	17620-ZG3-801	CAP COMP., FUEL FILLER	1	-	1	-	-----	-----	LH,LHE,LHQ4,LJ,LJE,QB,QBE,QH,QHE,QHE4,QN,QNE,SB,SBE,SH,SHE SHE4,SN,SNE,VB,VBE,VH,VHE,VN,VNE,WH,WJE
			1	-	-	-	1000168	-----	SJ,SJE,WJ
			1	-	-	-	-----	1005009	QA,QAE
			-	(1)	-	(1)	-	-	-
			-	-	1	-	-	-	SJ,SJE,WJ
22	17631-329-003	PACKING, FUEL FILLER CAP	1	-	1	-	-----	-----	LH,LHE,LHQ4,LJ,LJE,LNE,PAA,QA,QAA,QAAE,QAE,QB,QBE,QH,QHE,QHE4 QN,QNE,QX,QXE,SB,SBE,SH,SHE,SHE4,SJ,SJE,SN,SNE,SX,SXE,SXQ4,VA VAA,VAE,VAE,VB,VBE,VGB,VH,VHE,VN,VNE,VX,VXE,WA,WAA,WH,WJ,WJE WX
			-	(1)	-	(1)	-	-	-
23	17670-ZG3-003	FILTER ASSY., FUEL	1	1	-	-	1003263	-----	QA,QAE,QH,QHE,QN,QNE,QX,QXE,Q1,SH,SHE,SN,SNE,SX,SXE,S1,VH,VHE VN,VNE,VX,VXE,V1,WH,WX,W1
			1	-	-	-	1003936	-----	SJ,SJE,WJ
	17670-ZG3-013	1	-	1	-	-----	-----	LH,LHE,LHQ4,PAA,QAA,QAAE,QB,QBE,QHE4,SB,SBE,SHE4,SXQ4,VA,VAA VAE,VAE,VB,VBE,VGB,WA,WAA
			1	-	-	-	-----	-----	LJ,LJE,LNE,WJE
			1	-	-	-	1003264	-----	QA,QAE,QH,QHE,QN,QNE,QX,QXE,SH,SHE,SN,SNE,SX,SXE,VH,VHE,VN,VNE VX,VXE,WH,WX
			1	-	-	-	1003937	-----	SJ,SJE,WJ
			-	(1)	-	(1)	-	-	-
			-	-	1	-	-	-	QA,QAE,QH,QHE,QX,QXE,SH,SHE,SX,SXE,VH,VHE,VX,VXE,WH,WX
			-	-	1	-	-	-	LJ,LJE,LNE,SJ,SJE,WJ,WJE

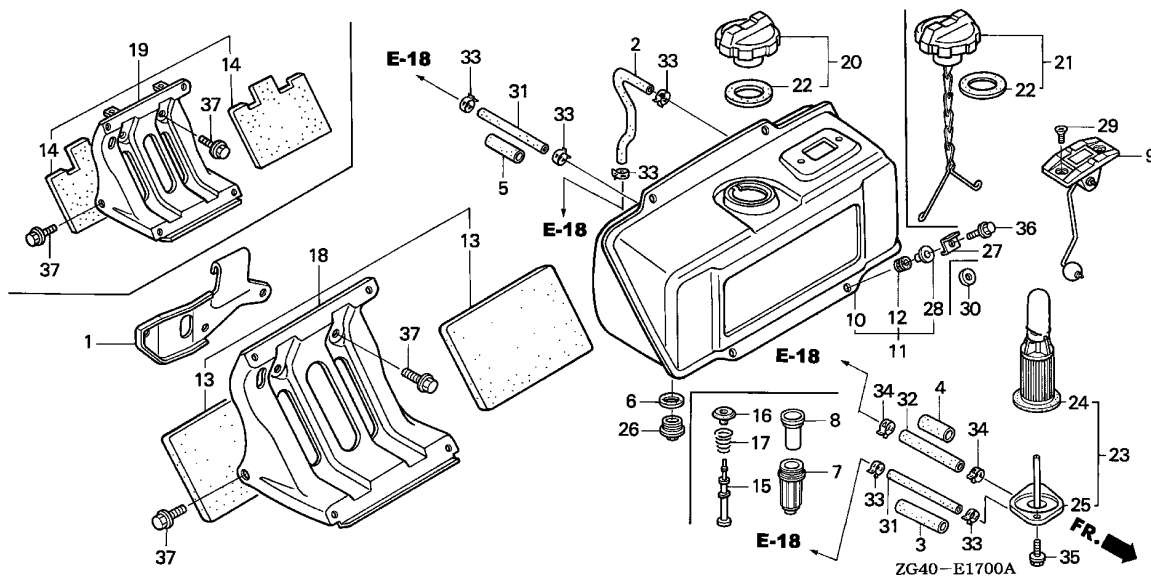




Ref. No.	Part No.	Description	Reqd. QTY				Serial No.	Parts catalogue code
			GD 320 (1)	GD 320 (2)	GD 321 (1)	GD 321 (2)		
24	17682-ZG3-003	STRAINER COMP.	1	-	1	-	LH,LHE,LHQ4,LJ,LJE,LNE,PAA,QA,QAA,QAAE,QAE,QB,QBE,QH,QHE,QHE4,QN,QNE,QX,QXE,SB,SBE,SH,SHE,SHE4,SJ,SJE,SN,SNE,SX,SXE,SXQ4,VA,VAA,VAAE,VAE,VB,VBE,VGB,VH,VHE,VN,VNE,VX,VXE,WA,WAA,WH,WJ,WJE,WX	
25	17687-ZG3-003	BODY, STRAINER	1	(1)	-	(1)	1003263 QA,QAE,QH,QHE,QN,QNE,QX,QXE,Q1,SH,SHE,SN,SNE,SX,SXE,S1,VH,VHE,VN,VNE,VX,VXE,V1,WH,WX,W1	
	17687-ZG3-013	1	-	1	-	1003936 SJ,SJE,WJ	
			1	-	-	-	1003264 LH,LHE,LHQ4,LJ,LJE,LNE,PAA,QAA,QAAE,QB,QBE,QHE4,SB,SBE,SHE4,QA,QAE,QH,QHE,QN,QNE,QX,QXE,SH,SHE,SN,SNE,SX,SXE,VH,VHE,VN,VNE,VX,VXE,WH,WX	
			1	-	-	-	1003937 SJ,SJE,WJ	
			-	(1)	-	(1)	QA,QAE,QH,QHE,QX,QXE,SH,SHE,SJ,SJE,SX,SXE,VH,VHE,VX,VXE,WH,WJ,WX	
26	90021-ZG3-003	BOLT, DRAIN	1	-	1	-	LH,LHE,LHQ4,LJ,LJE,LNE,PAA,QA,QAA,QAAE,QAE,QB,QBE,QH,QHE,QHE4,QN,QNE,QX,QXE,SB,SBE,SH,SHE,SHE4,SJ,SJE,SN,SNE,SX,SXE,SXQ4,VA,VAA,VAAE,VAE,VB,VBE,VGB,VH,VHE,VN,VNE,VX,VXE,WA,WAA,WH,WJ,WJE,WX	
			-	(1)	-	(1)		
27	90407-ZG3-000	WASHER, SPECIAL, 6MM	4	(4)	-	-	1003236 QA,QAE,QH,QHE,QN,QNE,QX,QXE,Q1,SH,SHE,SN,SNE,SX,SXE,S1,VH,VHE,VN,VNE,VX,VXE,V1,WH,WX,W1	
			4	-	-	-	1003936 SJ,SJE,WJ	

Ref. No.	Part No.	Description	Reqd. QTY				Serial No.	Parts catalogue code	
			GD 320 (1)	GD 320 (2)	GD 321 (1)	GD 321 (2)			
27)	90407-ZG3-010	WASHER, SPECIAL, 6MM	4	(4)	-	(4)	-----	E1,LH,LHE,LJ,LJE,LNE,L1,PAA,QAA,QAAE,QB,QBE,SB,SBE,VA,VAA,VAAE,VAE,VB,VBE,WA,WAA,WJE	
			4	(4)	-	-	1003237	-----	QA,QAE,QH,QHE,QN,QNE,QX,QXE,Q1,SH,SHE,SN,SNE,SX,SXE,S1,VH,VHE
			4	-	-	-	1003937	-----	VN,VNE,VX,VXE,V1,WH,WX,W1
			-	-	-	(4)	-----	SJ,SJE,WJ	
			-	-	-	(4)	-----	Q1,S1,W1	
			-	-	-	(4)	1000108	-----	V1
28	90501-425-000	COLLAR, 6.2X12	4	-	-	-	-----	VB,VBE	
29	93600-05010-0A	SCREW, FLAT, 5X10	2	-	2	-	-----	LNE,PAA,QAA,QAAE,QX,QXE,SX,SXE,SXQ4,VA,VAA,VAAE,VAE,VGB,VX,VXE	
			2	-	-	-	1005010	-----	WA,WAA,WX
			-	(2)	-	(2)	-----	QA,QAE	
			-	-	2	-----	-----	QA,QAE	
30	94103-06000	WASHER, PLAIN, 6MM	-	-	4	(4)	-----	E1,LH,LHE,LHQ4,LJ,LJE,LNE,L1,PAA,QA,QAA,QAAE,QAE,QB,QBE,QH,QHE	
			-	-	-	(4)	1000109	-----	QHE4,QX,QXE,Q1,SB,SBE,SH,SHE,SHE4,SJ,SJE,SX,SXE,SXQ4,S1,VA,VAA
			-	-	-	(4)	-----	V1	
31	95001-45100-40	TUBE, FUEL, 4.5X100 (95001-45001-60M)	2	-	2	-	-----	LH,LHE,LHQ4,LJ,LJE,LNE,PAA,QA,QAA,QAAE,QAE,QB,QBE,QH,QHE,QHE4	
			-	(2)	-	(2)	-----	QN,QNE,QX,QXE,SB,SBE,SH,SHE,SHE4,SJ,SJE,SN,SNE,SX,SXE,SXQ4,VA	
			-	-	-	-	-----	VAA,VAAE,VAE,VB,VBE,VGB,VH,VHE,VN,VNE,VX,VXE,WA,WAA,WH,WJ,WJE	
			-	-	-	-	-----	WX	
32	95001-80090-40	TUBE, FUEL, 8X90 (95001-80001-60M)	1	-	1	-	-----	LH,LHE,LHQ4,LJ,LJE,LNE,PAA,QA,QAA,QAAE,QAE,QB,QBE,QH,QHE,QHE4	
			-	(1)	-	(1)	-----	QN,QNE,QX,QXE,SB,SBE,SH,SHE,SHE4,SJ,SJE,SN,SNE,SX,SXE,SXQ4,VA	
			-	-	-	-	-----	VAA,VAAE,VAE,VB,VBE,VGB,VH,VHE,VN,VNE,VX,VXE,WA,WAA,WH,WJ,WJE	
			-	-	-	-	-----	WX	
33	95002-40800-08	CLAMP, TUBE (D8)	6	-	-	-	-----	LH,LHE,LJ,LJE,LNE,PAA,QA,QAA,QAAE,QAE,QB,QBE,QH,QHE,QN,QNE,QX	
			-	(6)	-	-	-----	QXE,SB,SBE,SH,SHE,SJ,SJE,SN,SNE,SX,SXE,VA,VAA,VAAE,VAE,VB,VBE	
			-	-	6	-----	1000079	-----	VH,VHE,VN,VNE,VX,VXE,WA,WAA,WH,WJ,WJE,WX
			-	-	-	(6)	-----	LH,LHE,LJ,LJE,LNE,PAA,QA,QAA,QAAE,QAE,QB,QBE,QH,QHE,QX,QXE,SB	
			-	-	6	-----	1000080	-----	SBE,SH,SHE,SJ,SJE,STE,SX,SXE,VA,VAA,VAAE,VAE,VB,VBE,VH,VHE,VX
			-	-	-	(6)	1000080	-----	VXE,WA,WAA,WH,WJ,WJE,WX
34	95002-41250-08	CLAMP, TUBE (D12.5)	2	-	-	-	-----	LH,LHE,LJ,LJE,LNE,PAA,QA,QAA,QAAE,QAE,QB,QBE,QH,QHE,QN,QNE,QX	
			-	(2)	-	-	-----	QXE,SB,SBE,SH,SHE,SJ,SJE,SN,SNE,SX,SXE,VA,VAA,VAAE,VAE,VB,VBE	
			-	-	2	-----	1000079	-----	VH,VHE,VN,VNE,VX,VXE,WA,WAA,WH,WJ,WJE,WX
			-	-	-	(2)	-----	LH,LHE,LJ,LJE,LNE,PAA,QA,QAA,QAAE,QAE,QB,QBE,QH,QHE,QX,QXE,SB	
			-	-	2	-----	1000080	-----	SBE,SH,SHE,SJ,SJE,SX,SXE,VA,VAA,VAAE,VAE,VB,VBE,VH,VHE,VX,VXE
			-	-	-	(2)	1000080	-----	WA,WAA,WH,WJ,WJE,WX
			-	-	2	-----	-----	LHQ4,QHE4,SHE4,SXQ4,VGB	
			-	-	2	-----	-----	LH,LHE,LJ,LJE,LNE,PAA,QA,QAA,QAAE,QAE,QB,QBE,QH,QHE,QX,QXE,SB	
			-	-	-	(2)	1000080	-----	SBE,SH,SHE,SJ,SJE,SX,SXE,VA,VAA,VAAE,VAE,VB,VBE,VH,VHE,VX,VXE
			-	-	-	(2)	1000080	-----	WA,WAA,WH,WJ,WJE,WX



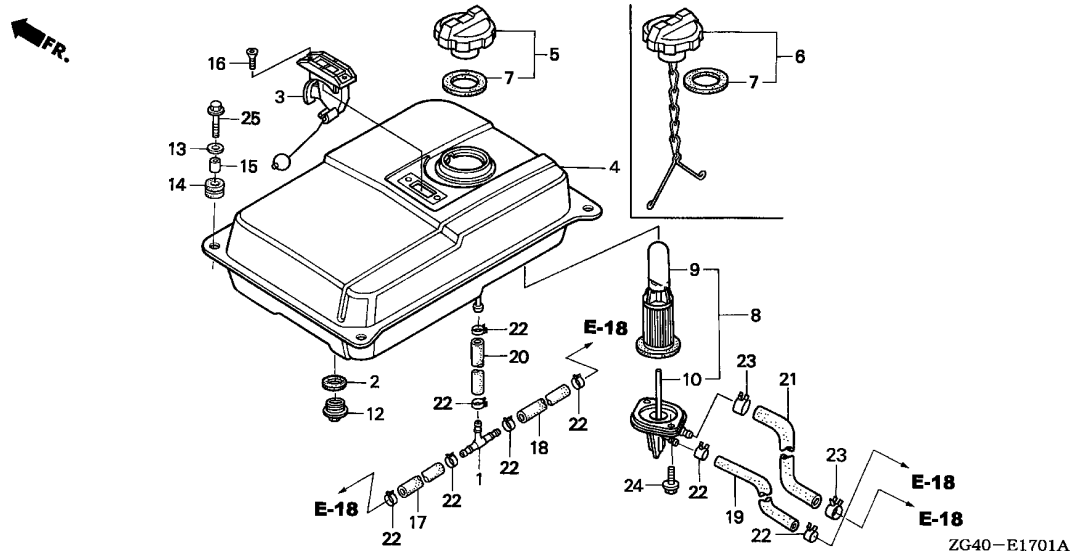


Ref. No.	Part No.	Description	Reqd. QTY				Serial No.	Parts catalogue code
			GD 320 (1)	GD 320 (2)	GD 321 (1)	GD 321 (2)		
35	95701-06012-00	BOLT, FLANGE, 6X12	2	-	2	-	LH,LHE,LHQ4,LJ,LJE,LNE,PAA,QA,QAA,QAAE,QAQ,QBE,QH,QHE,QHE4,QN,QNE,QX,QXE,SB,SBE,SH,SHE,SHE4,SJ,SJE,SN,SNE,SX,SXE,SXQ4,VA,VAA,VAE,VAE,VB,VBE,VGB,VH,VHE,VN,VNE,VX,VXE,WA,WAA,WH,WJ,WJE,WX	
			-	(2)	-	(2)		
36	95701-06014-00	BOLT, FLANGE, 6X14	4	-	4	-	LH,LHE,LHQ4,LJ,LJE,LNE,PAA,QA,QAA,QAAE,QAQ,QBE,QH,QHE,QHE4,QN,QNE,QX,QXE,SB,SBE,SH,SHE,SHE4,SJ,SJE,SN,SNE,SX,SXE,SXQ4,VA,VAA,VAE,VAE,VGB,VH,VHE,VN,VNE,VX,VXE,WA,WAA,WH,WJ,WJE,WX	
			-	(4)	-	(4)		
	95701-06022-00	BOLT, FLANGE, 6X22	4	-	4	-	VB,VBE	
37	95701-08022-00	BOLT, FLANGE, 8X22	4	-	4	-	VB,VBE LH,LHE,LHQ4,LJ,LJE,LNE,PAA,QA,QAA,QAAE,QAQ,QBE,QH,QHE,QHE4,QN,QNE,QX,QXE,SB,SBE,SH,SHE,SHE4,SJ,SJE,SN,SNE,SX,SXE,SXQ4,VA,VAA,VAE,VAE,VB,VBE,VGB,VH,VHE,VN,VNE,VX,VXE,WA,WAA,WH,WJ,WJE,WX	
			-	(4)	-	(4)		

E-17-1

FUEL TANK(2)

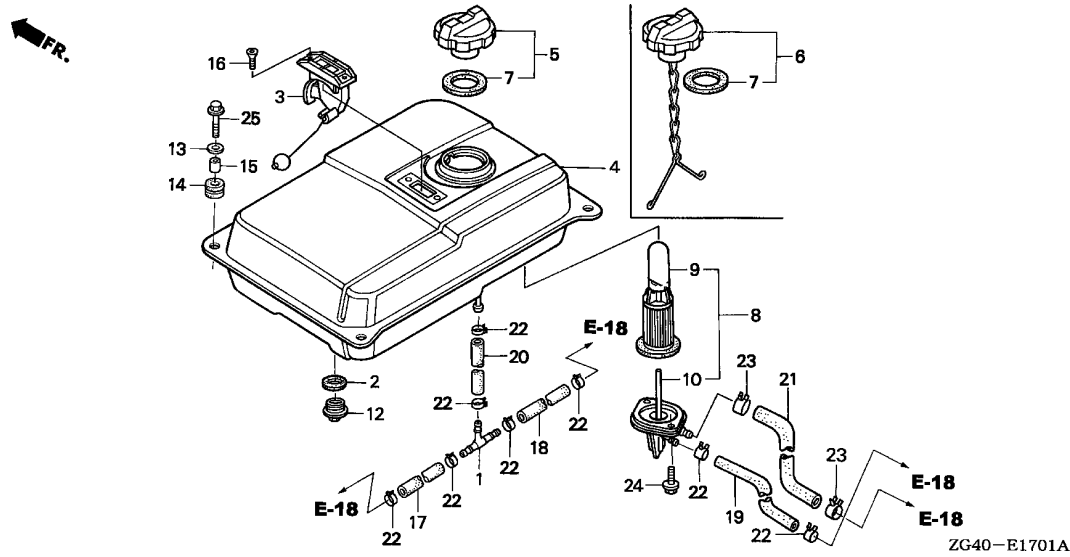
F12



Service item	F.R.T.
METER ASSY., FUEL	0.1
BODY, STRAINER	0.2
.FILTER ASSY., FUEL	
.JOINT, FUEL	
.STRAINER COMP.	
.TUBE, FUEL, 4.5X150	
.TUBE, FUEL, 4.5X200	
.TUBE, FUEL, 4.5X450	
.TUBE, FUEL, 4.5X620	
TANK COMP., FUEL	0.3

Ref. No.	Part No.	Description	Reqd. QTY				Serial No.	Parts catalogue code
			GD 320	GD 320	GD 321	GD 321		
1	16235-399-000	JOINT, FUEL	-	(1)	-	(1)		
2	16963-443-901	GASKET	-	(1)	-	(1)		
3	17505-ZB2-003	METER ASSY., FUEL	-	(1)	-	(1)		
4	17510-YD6-000	TANK COMP., FUEL	-	(1)	-	(1)		
5	17620-ZG3-003	CAP COMP., FUEL FILLER	-	(1)	-	(1)		
6	17620-ZG3-801	CAP COMP., FUEL FILLER	-	(1)	-	(1)		
7	17631-329-003	PACKING, FUEL FILLER CAP	-	(1)	-	(1)		
8	17670-ZG3-013	FILTER ASSY., FUEL	-	(1)	-	(1)		
9	17682-ZG3-003	STRAINER COMP.	-	(1)	-	(1)		
10	17687-ZG3-013	BODY, STRAINER	-	(1)	-	(1)		
12	90021-ZG3-003	BOLT, DRAIN	-	(1)	-	(1)		
13	90506-500-000	WASHER, AIR DUCT	-	(4)	-	(4)		
14	90852-898-000	RUBBER, CONTROL BOX	-	(4)	-	(4)		
15	91552-898-000	COLLAR, CONTROL BOX	-	(4)	-	(4)		
16	93600-05012-0A	SCREW, FLAT, 5X12	-	(2)	-	(2)		
17	95001-45150-40	TUBE, FUEL, 4.5X150 (95001-45001-60M)	-	(1)	-	(1)		
18	95001-45200-40	TUBE, FUEL, 4.5X200 (95001-45001-60M)	-	(1)	-	(1)		
19	95001-45450-40	TUBE, FUEL, 4.5X450 (95001-45001-60M)	-	(1)	-	(1)		
20	95001-45620-40	TUBE, FUEL, 4.5X620 (95001-45001-60M)	-	(1)	-	(1)		
21	95001-80450-40	TUBE, FUEL, 8X450 (95001-80001-60M)	-	(1)	-	(1)		



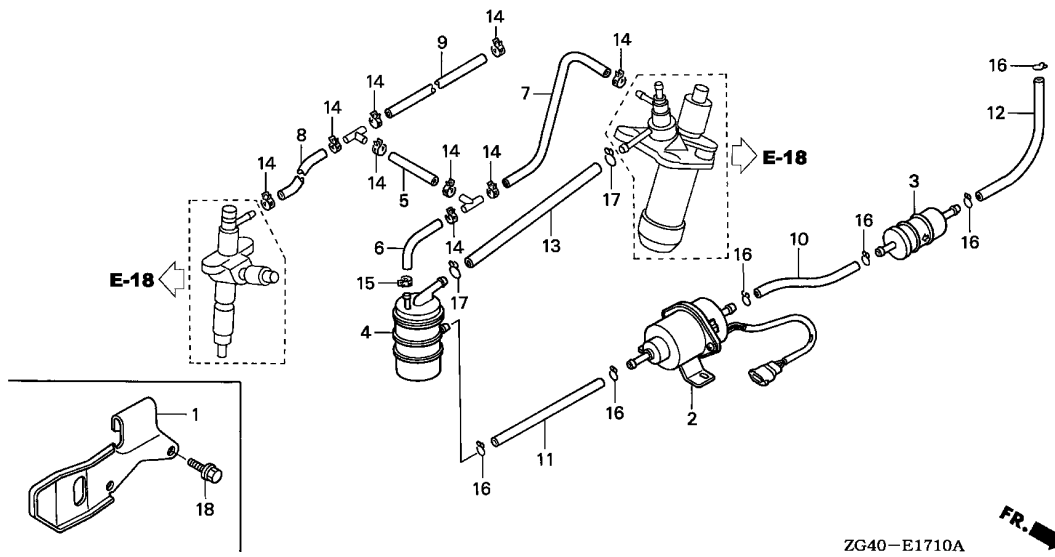


Ref. No.	Part No.	Description	Reqd. QTY				Serial No.	Parts catalogue code
			GD 320	GD 320	GD 321	GD 321		
22	95002-40800-08	CLAMP, TUBE (D8)	-	(8)	-	-		
	95002-02080	CLIP, TUBE (B8)	-	-	-	(8)	1000080	1000079
23	95002-41250-08	CLAMP, TUBE (D12.5)	-	(2)	-	-		
	95002-02130	CLIP, TUBE (B12.5)	-	-	-	(2)	1000080	1000079
24	95701-06012-00	BOLT, FLANGE, 6X12	-	(2)	-	(2)		
25	95701-06020-00	BOLT, FLANGE, 6X20	-	(4)	-	(4)		

E-17-10

FUEL PUMP

F14



Service item	F.R.T.
FILTER COMP., FUEL	0.2
.HOSE, FUEL, 5.3X150	
.HOSE, FUEL, 5.3X180	
.HOSE, FUEL, 5.3X80	
.HOSE, FUEL, 7.3X170	
.STRAINER COMP., FUEL	
.TUBE, FUEL, 4.5X110	
.TUBE, FUEL, 4.5X280	
.TUBE, FUEL, 4.5X45	
.TUBE, FUEL, 4.5X90	
.TUBE, FUEL, 4.5X950	
PUMP ASSY., FUEL	0.3

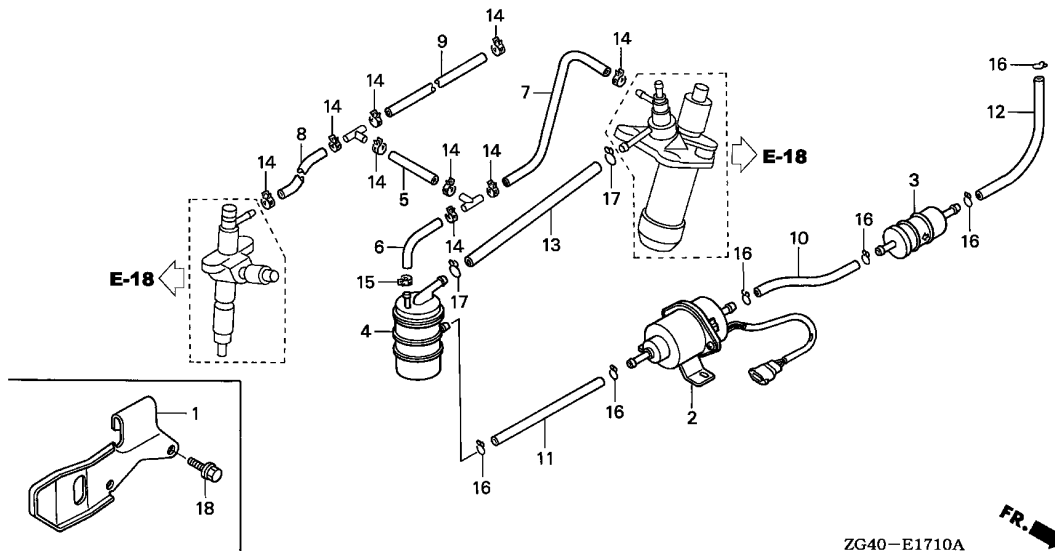
Ref. No.	Part No.	Description	Reqd. QTY				Serial No.	Parts catalogue code
			GD 320 (1)	GD 320 (2)	GD 321 (1)	GD 321 (2)		
1	11911-ZG3-000	HANGER, ENGINE	1	-	1	-	-----	STE
2	16700-ZG3-901	PUMP ASSY., FUEL	1	-	1	-	-----	STE
3	16910-ZG3-901	STRAINER COMP., FUEL	1	-	1	-	-----	STE
4	17670-ZG3-901	FILTER COMP., FUEL	1	-	1	-	-----	STE
5	95001-45045-40	TUBE, FUEL, 4.5X45 (95001-45001-60M)	1	-	1	-	-----	STE
6	95001-45090-40	TUBE, FUEL, 4.5X90 (95001-45001-60M)	1	-	1	-	-----	STE
7	95001-45110-40	TUBE, FUEL, 4.5X110 (95001-45001-60M)	1	-	1	-	-----	STE
8	95001-45280-40	TUBE, FUEL, 4.5X280 (95001-45001-60M)	1	-	1	-	-----	STE
9	95001-45950-40	TUBE, FUEL, 4.5X950 (95001-45001-60M)	1	-	1	-	-----	STE
10	95001-55080-20	HOSE, FUEL, 5.3X80 (95001-55001-50M)	1	-	1	-	-----	STE
11	95001-55150-20	HOSE, FUEL, 5.3X150 (95001-55001-50M)	1	-	1	-	-----	STE
12	95001-55180-20	HOSE, FUEL, 5.3X180 (95001-55001-50M)	1	-	1	-	-----	STE
13	95001-75170-20	HOSE, FUEL, 7.3X170 (95001-75001-50M)	1	-	1	-	-----	STE
14	95002-40800-08	CLAMP, TUBE (D8)	9	-	9	-	-----	STE
15	95002-40850-08	CLAMP, TUBE (D8.5)	1	-	1	-	-----	STE
16	95002-41050-08	CLAMP, TUBE (D10.5)	6	-	6	-	-----	STE

2

E-17-10

FUEL PUMP

F15



ZG40-E1710A

FR. →

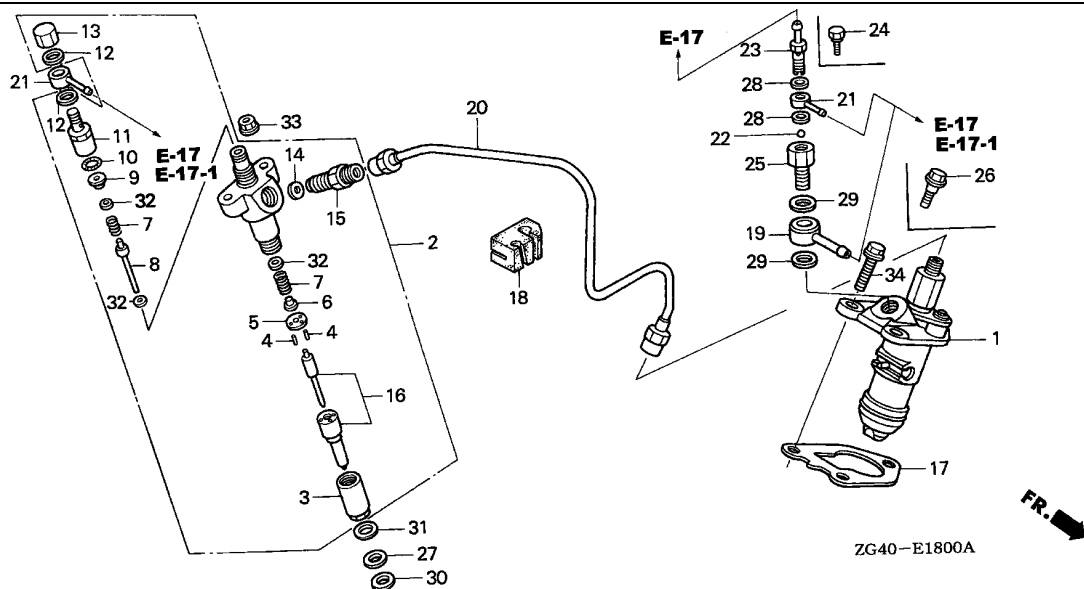
Ref. No.	Part No.	Description	Reqd. QTY				Serial No.	Parts catalogue code
			GD 320 (1)	GD 320 (2)	GD 321 (1)	GD 321 (2)		
17	95002-41250-08	CLAMP, TUBE (D12.5)	2	-	-	-	----- STE	
	95002-02130	CLIP, TUBE (B12.5)	-	-	2	1000079	----- STE	
18	95701-08020-00	BOLT, FLANGE, 8X20	2	-	2	1000080	----- STE	

2

E-18

FUEL INJECTION PUMP

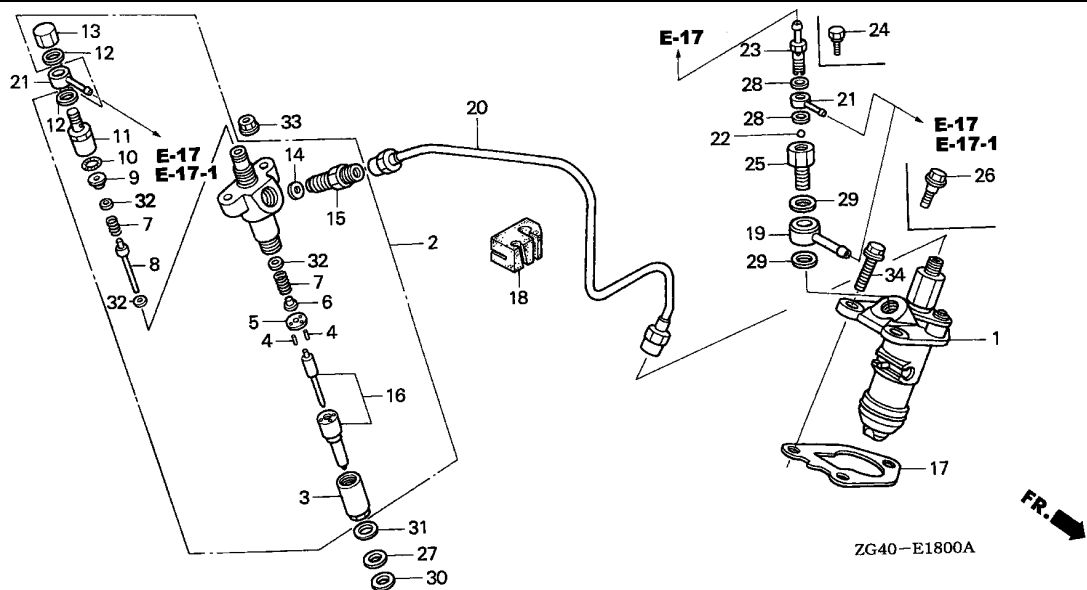
F16



Service item	F.R.T.
NOZZLE & HOLDER ASSY.	0.2
PIPE A, FUEL	0.4
NOZZLE	0.5
(INC. RELATIVE PART)	
GASKET, FUEL INJECTION PUMP ..	0.6
.PUMP ASSY., FUEL INJECTION	

Ref. No.	Part No.	Description	Reqd. QTY				Serial No.	Parts catalogue code
			GD 320 (1)	GD 320 (2)	GD 321 (1)	GD 321 (2)		
1	16300-ZG3-003	PUMP ASSY., FUEL INJECTION ..	1	-	-	-	LH,LHE,LJ,LJE,LNE,QH,QHE,QX,QXE,SH,SHE,SJ,SJE,SX,SXE,VH,VHE,VX,VXE,WH,WJ,WJE,WX	
			1	-	-	1005009	QA,QAE	
			1	-	-	1008404	STE	
	16300-ZG3-801	1	-	-	-	QN,QNE,SN,SNE,VN,VNE	
	16300-ZG4-881	PUMP ASSY., FUEL INJECTION (N3)	1	-	-	-	QB,QBE,SB,SBE,VB,VBE	
	16300-ZG3-931	PUMP ASSY., FUEL INJECTION ..	1	-	-	-	PAA,QAA,QAAE,VA,VAA,VAAE,VAE,WA,WAA	
	16300-ZG4-911	PUMP ASSY., FUEL INJECTION (FH)	1	-	-	1005010	QA,QAE	
	16300-ZJ7-003	PUMP ASSY., FUEL INJECTION ..	-	-	1	-	STE	
			-	-	-	1	LH,LHE,LHQ4,LJ,LJE,LNE,PAA,QA,QAA,QAAE,QAE,QH,QHE,QHE4,QX,QXE,SH,SHE,SHE4,SJ,SJE,SX,SXE,SXQ4,VA,VAA,VAAE,VAE,VH,VHE,VX,VXE,WA,WAA,WH,WJ,WJE,WX	
	16300-ZJ8-881	PUMP ASSY., FUEL INJECTION (EEC)	-	-	1	-	QB,QBE,SB,SBE,VB,VBE,VGB	
	16300-ZJ8-911	PUMP ASSY., FUEL INJECTION (FH)	-	-	1	-	STE	
2	16410-ZG3-013	NOZZLE & HOLDER ASSY.	1	-	-	-	LH,LHE,LJ,LJE,LNE,PAA,QA,QAA,QAAE,QAE,QH,QHE,QX,QXE,SH,SHE,SJ,SJE,STE,SX,SXE,VA,VAA,VAAE,VAE,VH,VHE,VX,VXE,WA,WAA,WH,WJ,WJE,WX	
	16410-ZG3-801	NOZZLE & HOLDER ASSY. (3 HOLE)	-	1	-	-	QB,QBE,QN,QNE,SB,SBE,SN,SNE,VB,VBE,VGB,VN,VNE	
	16410-ZJ7-003	NOZZLE & HOLDER ASSY.	-	-	1	-	LH,LHE,LHQ4,LJ,LJE,LNE,PAA,QA,QAA,QAAE,QAE,QH,QHE,QHE4,QX,QXE,SH,SHE,SHE4,SJ,SJE,STE,SX,SXE,SXQ4,VA,VAA,VAAE,VAE,VH,VHE,VX,VXE,WA,WAA,WH,WJ,WJE,WX	
			-	-	-	1		

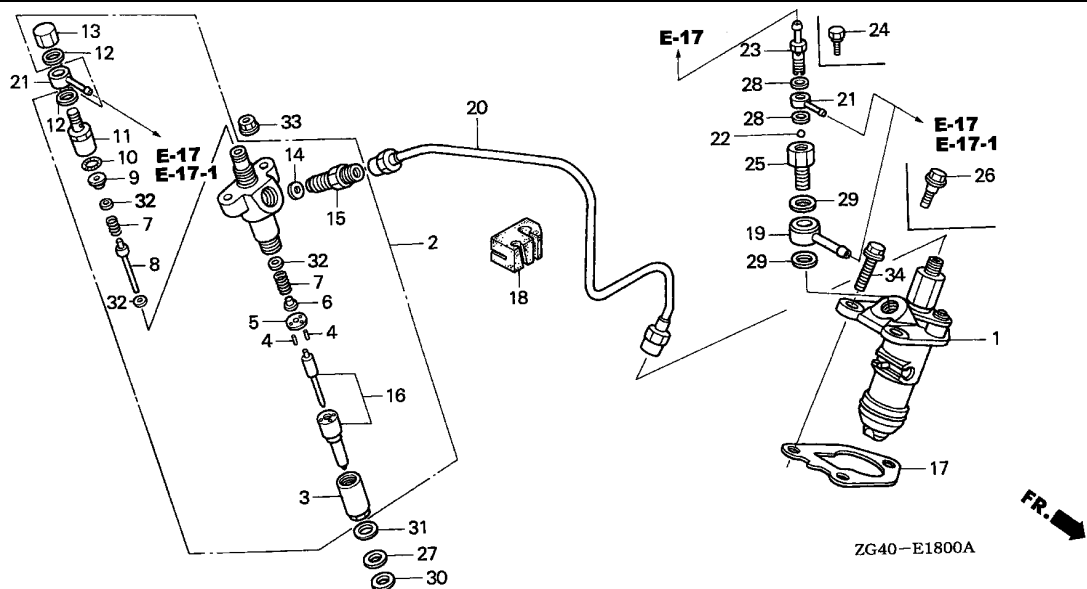




Ref. No.	Part No.	Description	Reqd. QTY				Serial No.	Parts catalogue code
			GD 320 (1)	GD 320 (2)	GD 321 (1)	GD 321 (2)		
3	16413-ZG3-003	NUT, RETAINING	1	1	1	1		
4	16414-ZG3-003	PIN (1.78X9.3)	2	2	2	2		
5	16415-ZG3-003	SPACER	1	1	1	1		
6	16416-ZG3-003	SEAT, SPRING (A)	1	1	1	1		
7	16417-ZG3-003	SPRING, NOZZLE	2	2	2	2		
8	16418-ZG3-003	ROD, PUSH	1	1	1	1		
9	16419-ZG3-003	SEAT, SPRING (B)	1	1	1	1		
10	16421-ZG3-003	O-RING	1	1	1	1		
11	16422-ZG3-003	NUT, CAP	1	1	1	1		
12	16423-ZG3-003	GASKET A	2	2	2	2		
13	16424-ZG3-003	NUT	1	1	1	1		
14	16425-ZG3-003	GASKET B	1	1	1	1		
15	16426-ZG3-003	CONNECTOR, IN.	1	1	1	1		
16	16431-ZG3-003	NOZZLE	1	-	-	-	LH, LHE, LJ, LJE, LNE, PAA, QA, QAA, QAAE, QAE, QH, QHE, QX, QXE, SH, SHE, SJ, SJE, STE, SX, SXE, VA, VAA, VAAE, VAE, VH, VHE, VX, VXE, WA, WAA, WH, WJ, WJE, WX	
	16431-ZG3-801	NOZZLE (3 HOLE)	1	-	1	-	QB, QBE, QN, QNE, SB, SBE, SN, SNE, VB, VBE, VGB, VN, VNE	
	16431-ZJ7-003	NOZZLE	-	-	1	-	LH, LHE, LHQ4, LJ, LJE, LNE, PAA, QA, QAA, QAAE, QAE, QH, QHE, QHE4, QX, QXE, SH, SHE, SHE4, SJ, SJE, STE, SX, SXE, SXQ4, VA, VAA, VAAE, VAE, VH, VHE, VX, VXE, WA, WAA, WH, WJ, WJE, WX	
17	16444-ZG3-000	GASKET, FUEL INJECTION PUMP (A) (0.1)	(1)	(1)	(1)	(1)		
	16445-ZG3-000	GASKET, FUEL INJECTION PUMP (B) (0.15)	(1)	(1)	(1)	(1)		

Ref. No.	Part No.	Description	Reqd. QTY				Serial No.	Parts catalogue code
			GD 320 (1)	GD 320 (2)	GD 321 (1)	GD 321 (2)		
17)	16441-ZG3-000	GASKET, FUEL INJECTION PUMP (C) (0.2)	(1)	(1)	(1)	(1)		
	16442-ZG3-000	GASKET, FUEL INJECTION PUMP (D) (0.3)	(1)	(1)	(1)	(1)		
	16443-ZG3-000	GASKET, FUEL INJECTION PUMP (E) (0.4)	(1)	(1)	(1)	(1)		
	16451-ZG3-000	GASKET, FUEL INJECTION PUMP (F) (0.5)	(1)	(1)	(1)	(1)		
	16452-ZG3-000	GASKET, FUEL INJECTION PUMP (G) (0.6)	(1)	(1)	(1)	(1)		
18	16447-ZG3-000	RUBBER, FUEL TUBE CLAMP	1	1	1	1		
19	16449-ZG3-000	JOINT, FUEL	1	1	1	1		
20	16455-ZG4-000	PIPE A, FUEL	1	1	1	1		
21	16647-ZG3-000	JOINT, AIR BREATHER (B)	2	2	2	2		
22	16648-ZG3-000	BALL, CHECK	1	-	1	-	QB,QBE,QN,QNE,SB,SBE,SN,SNE,VN,VNE	
			1	-	-	-	LH,LHE,LJ,LJE,LNE,PAA,QA,QAA,QAAE,QAE,QH,QHE,QX,QXE,SH,SHE,SJ,SJE,SX,SXE,VA,VAA,VAAE,VAE,VB,VBE,VH,VHE,VX,VXE,WA,WAA,WH,WJ,WJE,WX	
			-	1	-	-		
			-	-	1	-	1001107 LH,LHE,LHQ4,LJ,LJE,LNE,PAA,QA,QAA,QAAE,QAE,QH,QHE,QHE4,QX,QXE SH,SHE,SHE4,SJ,SJE,SX,SXE,SXQ4,VA,VAA,VAAE,VAE,VB,VBE,VGB,VH VHE,VX,VXE,WA,WAA,WH,WJ,WJE,WX	
	96211-06000	BALL, STEEL, #6 (3/16)	-	-	1	-	1001107 1001107 LH,LHE,LHQ4,LJ,LJE,LNE,PAA,QA,QAA,QAAE,QAE,QH,QHE,QHE4,QX,QXE SH,SHE,SHE4,SJ,SJE,SX,SXE,SXQ4,VA,VAA,VAAE,VAE,VB,VBE,VGB,VH VHE,VX,VXE,WA,WAA,WH,WJ,WJE,WX	
			-	-	-	1	1001108	
23	90025-ZG3-000	BOLT, AIR BREATHER, 8X20	1	-	1	-	LH,LHE,LHQ4,LJ,LJE,LNE,PAA,QA,QAA,QAAE,QAE,QB,QBE,QH,QHE,QHE4 QN,QNE,QX,QXE,SB,SBE,SH,SHE,SHE4,SJ,SJE,SN,SNE,SX,SXE,SXQ4,VA VAA,VAAE,VAE,VB,VBE,VGB,VH,VHE,VN,VNE,VX,VXE,WA,WAA,WH,WJ,WJE WX	
			-	1	-	1		
24	90025-ZG3-900	BOLT, AIR BREATHER, 8X20	1	-	1	-	STE	
25	90027-ZG3-000	BOLT, FUEL JOINT, 12X25.5 ...	1	1	1	1		
26	90161-744-000	BOLT, ROTARY TRANSMISSION ...	2	-	-	-	LNE,PAA,WJE	
			2	-	-	-	1007019 LH,LHE,LJ,LJE,QA,QAA,QAAE,QAE,QH,QHE,QX,QXE,SH,SHE,SJ,SJE,STE SX,SXE,VA,VAA,VAAE,VH,VHE,VX,VXE,WA,WAA,WH,WJ,WX	
			2	-	-	-	1007199 VAE	
			2	-	-	-	1007402 QB,QBE,SB,SBE,VB,VBE	
			-	2	-	-	1007019	
			-	-	2	2		
27	90402-ZG3-880	WASHER, PLAIN, 7MM	1	1	-	-	1006480 LH,LHE,L1,SJ,SJE,WJ	
			1	1	-	-	1006485 E1,QA,QAA,QAAE,QAE,QH,QHE,QX,QXE,Q1,SH,SHE,STE,SX,SXE,S1,VA VAA,VAAE,VAE,VH,VHE,VX,VXE,V1,WA,WAA,WH,WX,W1	
			1	-	-	-	LNE,PAA,WJE	
			1	-	-	-	1006550 LJ,LJE	
			1	-	-	-	1007402 QB,QBE,SB,SBE,VB,VBE	
			-	-	1	1		
28	90403-ZG3-000	WASHER, 8MM	2	-	2	2		
			-	2	-	-		
29	90418-ZG3-000	WASHER, FUEL JOINT	2	2	2	2	L1,Q1,S1,V1,W1	

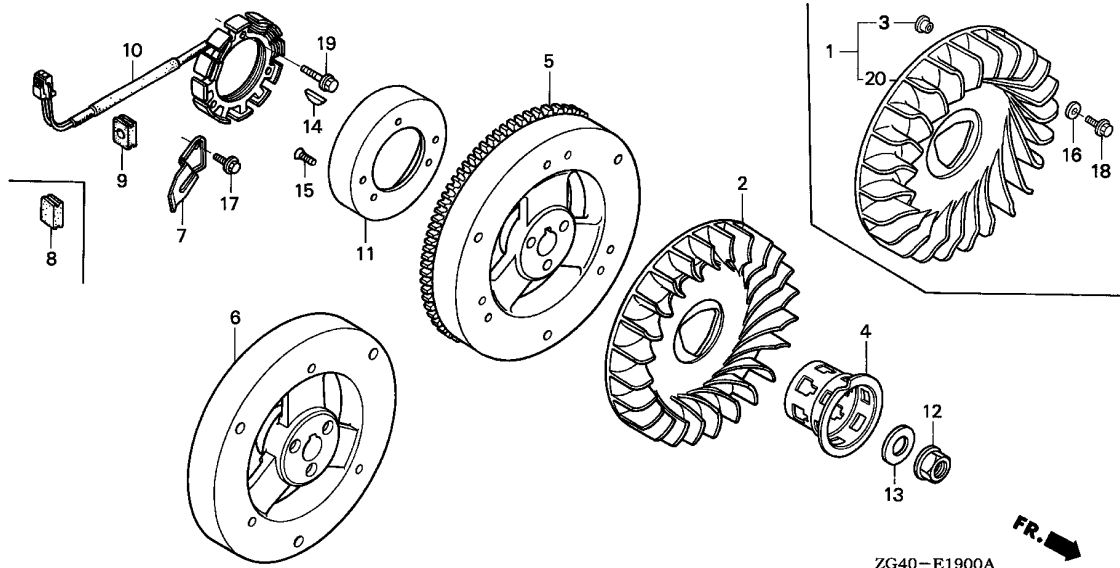




Ref. No.	Part No.	Description	Reqd. QTY				Serial No.	Parts catalogue code
			GD 320 (1)	GD 320 (2)	GD 321 (1)	GD 321 (2)		
30	90455-ZG3-880	GASKET, SPECIAL, 7MM	1	1	-	-	1006480 ----- LH,LHE,L1,SJ,SJE,WJ	
			1	1	-	-	1006485 ----- E1,QA,QAA,QAAE,QAE,QH,QHE,QX,QXE,Q1,SH,SHE,STE,SX,SXE,S1,VA	
			1	-	-	-	----- VAA,VAE,VAE,VH,VHE,VX,VXE,V1,WA,WAA,WH,WX,W1	
			1	-	-	-	----- LNE,PAA,WJE	
			1	-	-	-	1006550 ----- LJ,LJE	
31	90451-ZG3-000	GASKET A, NOZZLE (0.8)	1	1	-	-	1006480 ----- LH,LHE,L1,SJ,SJE,WJ	
			1	1	-	-	1006485 ----- E1,QA,QAA,QAAE,QAE,QH,QHE,QX,QXE,Q1,SH,SHE,STE,SX,SXE,S1,VA	
			1	-	-	-	----- VAA,VAE,VAE,VH,VHE,VX,VXE,V1,WA,WAA,WH,WX,W1	
			1	-	-	-	----- LNE,WJE	
			1	-	-	-	1007402 ----- QB,QBE,SB,SBE,VB,VBE	
	90452-ZG3-000	GASKET B, NOZZLE (1.0)	1	-	-	-	----- LJ,LJE	
			1	-	-	-	----- PAA	
			1	-	-	-	1006485 ----- VAE	
			1	1	-	-	1006480 ----- LH,LHE,L1,SJ,SJE,WJ	
			1	1	-	-	1006485 ----- E1,QA,QAA,QAAE,QAE,QH,QHE,QX,QXE,Q1,SH,SHE,STE,SX,SXE,S1,VA	
	90453-ZG3-000	GASKET C, NOZZLE (1.2)	1	-	-	-	----- LNE,WJE	
			1	-	-	-	----- LJ,LJE	
			1	-	-	-	1007402 ----- QB,QBE,SB,SBE,VB,VBE	
			1	-	-	-	----- PAA	
			1	-	-	-	1012019 ----- VAE	

Ref. No.	Part No.	Description	Reqd. QTY				Serial No.	Parts catalogue code
			GD 320 (1)	GD 320 (2)	GD 321 (1)	GD 321 (2)		
31)	90454-ZG3-000	GASKET D, NOZZLE (1.4)	1	1	-	-	1006480 -----	LH,LHE,L1,SJ,SJE,WJ
			1	1	-	-	1006485 -----	E1,QA,QAA,QAAE,QAE,QH,QHE,QX,QXE,Q1,SH,SHE,STE,SX,SXE,S1,VA
			1	-	-	-	-----	VAA,VAAE,VH,VHE,VX,VXE,V1,WA,WAA,WH,WX,W1
			1	-	-	-	-----	LNE,WJE
			1	-	-	-	1007402 -----	QB,QBE,SB,SBE,VB,VBE
			1	-	-	-	1007557 -----	LJ,LJE
			(1)	-	-	-	-----	PAA
			(1)	-	-	-	1006485 -----	VAE
			-	-	1	1		
			-	-				
32	90460-ZG3-003	SHIM A (0.50)	(N)	(N)	(N)	(N)		
			(N)	(N)	(N)	(N)		
			(N)	(N)	(N)	(N)		
			(N)	(N)	(N)	(N)		
			(N)	(N)	(N)	(N)		
			(N)	(N)	(N)	(N)		
			(N)	(N)	(N)	(N)		
			(N)	(N)	(N)	(N)		
			(N)	(N)	(N)	(N)		
			(N)	(N)	(N)	(N)		
			(N)	(N)	(N)	(N)		
			(N)	(N)	(N)	(N)		
			(N)	(N)	(N)	(N)		
			(N)	(N)	(N)	(N)		
33	94050-06000	NUT, FLANGE, 6MM	2	2	2	2		
			3	-	-	-		
34	95701-08025-00	BOLT, FLANGE, 8X25	3	-	-	-	-----	QN,QNE,SN,SNE,VN,VNE
			3	-	-	-	1007018 -----	LH,LHE,LJ,LJE,QA,QAA,QAAE,QAE,QH,QHE,QX,QXE,SH,SHE,STE,SX,SXE
			3	-	-	-	-----	VA,VAA,VAAE,VH,VHE,VX,VXE,WA,WAA,WH,WX
			3	-	-	-	1007198 -----	VAE
			3	-	-	-	1007287 -----	SJ,SJE,WJ
			3	-	-	-	1007401 -----	QB,QBE,SB,SBE,VB,VBE
			-	3	-	-	-----	1007018
			1	-	-	-	-----	LNE,PAA,WJE
			1	-	-	-	1007019 -----	LH,LHE,LJ,LJE,QA,QAA,QAAE,QAE,QH,QHE,QX,QXE,SH,SHE,STE,SX,SXE
			1	-	-	-	-----	VA,VAA,VAAE,VH,VHE,VX,VXE,WA,WAA,WH,WX
			1	-	-	-	1007199 -----	VAE
			1	-	-	-	1007288 -----	SJ,SJE,WJ
			1	-	-	-	1007402 -----	QB,QBE,SB,SBE,VB,VBE
			-	1	-	-	-----	1007019
-	-	1	1					





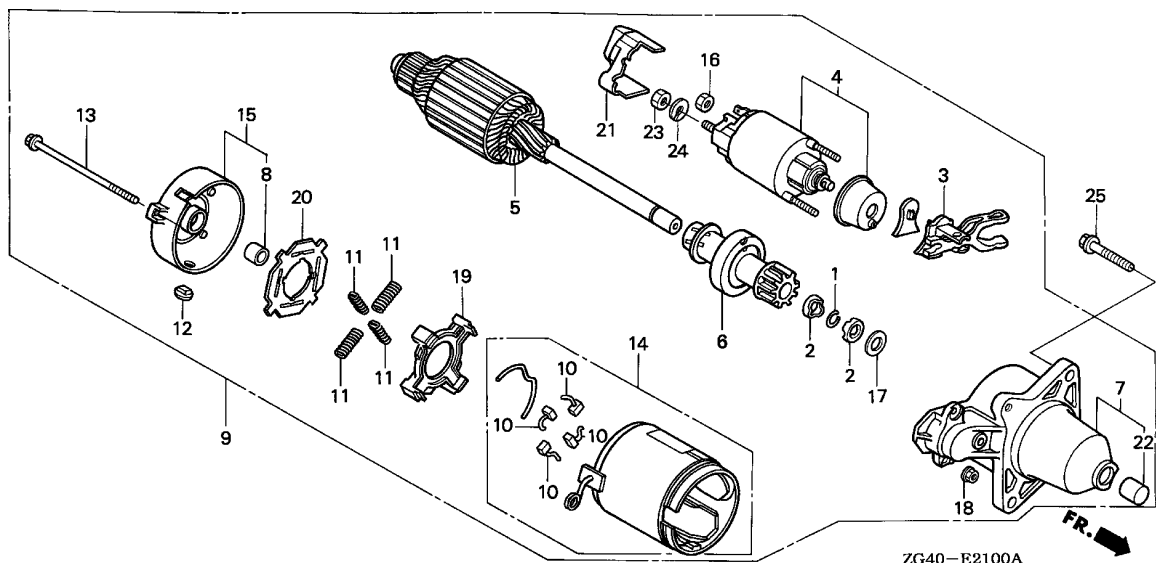
Service item	F.R.T.
FAN COMP., COOLING	0.7
.FAN, COOLING	
.FLYWHEEL	
.FLYWHEEL COMP.	
ROTOR COMP.	0.8
.STATOR COMP.	

2

Ref. No.	Part No.	Description	Reqd. QTY				Serial No.	Parts catalogue code
			GD 320 (1)	GD 320 (2)	GD 321 (1)	GD 321 (2)		
1	19510-ZG4-610	FAN COMP., COOLING	1	1	1	1	LH,LHE,LHQ4,LJ,LJE,LNE,L1	
2	19511-ZG4-000	FAN, COOLING	1	1	1	1	E1,PAA,QA,QAA,QAAE,QAE,QB,QBE,QH,QHE,QHE4,QN,QNE,QX,QXE,Q1,SB,SBE,SH,SHE,SHE4,SJ,SJE,SN,SNE,STE,SX,SXE,SXQ4,S1,VA,VAA,VAAE,VAE,VB,VBE,VGB,VH,VHE,VN,VNE,VX,VXE,V1,WA,WAA,WH,WJ,WJE,WX,W1	
3	19512-ZG4-610	COLLAR, FAN	3	3	3	3	LH,LHE,LHQ4,LJ,LJE,LNE,L1	
4	28451-ZG4-000	PULLEY, STARTER	1	1	-	-	E1,PAA,QA,QAA,QAAE,QAE,QB,QBE,QH,QHE,QN,QNE,QX,QXE,Q1,SB,SBE,SH,SHE,SJ,SJE,SN,SNE,STE,SX,SXE,S1,VA,VAA,VAAE,VAE,VB,VBE,VH,VHE,VN,VNE,VX,VXE,V1,WA,WAA,WH,WJ,WJE,WX,W1	
	28451-ZG4-610	1	1	-	-	1000218 E1,PAA,QA,QAA,QAAE,QAE,QB,QBE,QH,QHE,QX,QXE,Q1,SB,SBE,SH,SHE,SJ,SJE,STE,SX,SXE,S1,VA,VAA,VAAE,VAE,VB,VBE,VGB,VH,VHE,VX,VXE,V1,WA,WAA,WH,WJ,WJE,WX,W1	
	28451-ZG4-004	-	-	1	1	1000219 E1,PAA,QA,QAA,QAAE,QAE,QB,QBE,QH,QHE,QX,QXE,Q1,SB,SBE,SH,SHE,SJ,SJE,STE,SX,SXE,S1,VA,VAA,VAAE,VAE,VB,VBE,VGB,VH,VHE,VX,VXE,V1,WA,WAA,WH,WJ,WJE,WX,W1	
	28451-ZG4-612	-	-	1	1	1000219 E1,PAA,QA,QAA,QAAE,QAE,QB,QBE,QH,QHE,QX,QXE,Q1,SB,SBE,SH,SHE,SJ,SJE,STE,SX,SXE,S1,VA,VAA,VAAE,VAE,VB,VBE,VGB,VH,VHE,VX,VXE,V1,WA,WAA,WH,WJ,WJE,WX,W1	
5	31100-ZG4-800	FLYWHEEL COMP.	1	(1)	-	-	1000110 Q1,SJE,S1,V1,W1	
	31100-ZG4-910	1	-	-	-	1001207 QAE,QHE,QXE,SHE,SXE,VHE,VXE	
	31100-ZG4-801	1	(1)	-	-	1008404 STE	
	31100-ZG4-830	FLYWHEEL COMP. (SELF STARTER)	1	(1)	-	-	1000111 E1,QNE,SNE,VNE,WJE	
	31100-ZG4-911	FLYWHEEL COMP.	1	-	-	-	1001208 QAE,QHE,QXE,SHE,SXE,VHE,VXE	
	31100-ZJ8-830	FLYWHEEL COMP. (SELF STARTER)	-	-	1	(1)	1008405 LHE,LJE,LNE,L1	

Ref. No.	Part No.	Description	Reqd. QTY				Serial No.	Parts catalogue code
			GD 320 (1)	GD 320 (2)	GD 321 (1)	GD 321 (2)		
(5)	31100-ZJ8-890	FLYWHEEL COMP. (SELF STARTER)	-	-	1	-	-----	QBE,SBE,VBE
	31100-ZG4-890	1	-	-	-----	1000452	QAAE,QAE,VAAE,VAE
	31100-ZJ8-800	-	-	1	(1)	-----	QAAE,QBE,SBE,VAAE,VAE,VBE
			-	-	1	-	1000453	E1,QHE,QHE4,QXE,Q1,SHE,SHE4,SJE,SXE,S1,VHE,VXE,V1,WJE,W1
			-	-	1	-	-----	QAAE,QAE,VAAE,VAE
6	31101-ZG4-000	FLYWHEEL	1	(1)	-	-	-----	E1,QH,QN,QX,Q1,SH,SJ,SN,SX,S1,VH,VN,VX,V1,WH,WJ,WX,W1
			1	-	-	-	1005009	QA
	31101-ZG4-610	1	(1)	-	-	-----	LH,LJ,L1
	31101-ZG4-880	FLYWHEEL (N3)	1	-	-	-	-----	PAA
	31101-ZJ8-610	FLYWHEEL	-	-	1	(1)	-----	LH,LHQ4,LJ,L1
	31101-ZJ8-880	FLYWHEEL (EEC)	-	-	1	-	-----	QB,SB,VB,VGB
			-	-	1	-	1000473	PAA,QA,QAA,VA,VAA,WA,WAA
	31101-ZG4-880	FLYWHEEL (N3)	1	-	-	-	-----	QAA,QB,SB,VA,VAA,VB,WA,WAA
			1	-	-	-	1005010	QA
	31101-ZJ8-000	FLYWHEEL	-	-	1	(1)	-----	E1,QH,QX,Q1,SH,SJ,SX, SXQ4,S1,VH,VX,V1,WH,WJ,WX,W1
			-	-	1	-	1000474	PAA,QA,QAA,VA,VAA,WA,WAA
7	31511-ZG3-800	CLAMPER, CORD	1	-	1	-	-----	LHE,LJE,LNE,QAAE,QAE,QBE,QHE,QHE4,QNE,QXE,SBE,SHE,SHE4,SJE,SNE
			-	(1)	-	(1)	-----	STE,SXE,VAAE,VAE,VBE,VHE,VNE,VXE,WJE
8	31512-ZE8-000	GROMMET, CORD	1	-	1	(1)	-----	LH,LHQ4,LJ,PAA,QA,QAA,QB,QH,QN,QX,SB,SH,SJ,SN,SX, SXQ4,VA,VAA
			-	(1)	-	-	-----	VB,VGB,VH,VN,VX,V1,WA,WAA,WH,WJ,WX
9	31512-ZG3-000	GROMMET, CORD	1	-	1	-	-----	LHE,LJE,LNE,QAAE,QAE,QBE,QHE,QHE4,QNE,QXE,SBE,SHE,SHE4,SJE,SNE
			-	(1)	-	(1)	-----	STE,SXE,VAAE,VAE,VBE,VHE,VNE,VXE,WJE
10	31601-ZG3-801	STATOR COMP. (1.7A)	1	-	1	-	-----	LHE,LJE,LNE,QAAE,QAE,QBE,QHE,QHE4,QNE,QXE,SBE,SHE,SHE4,SJE,SNE
			-	(1)	-	(1)	-----	SXE,VAAE,VAE,VBE,VHE,VNE,VXE,WJE
	31601-ZG3-611	STATOR COMP. (10A)	-	(1)	-	-	-----	L1,Q1,S1,V1,W1
	31120-ZG3-901	STATOR COMP. (15A)	-	-	-	(1)	-----	L1,Q1,S1,V1,W1
	31120-ZG4-911	STATOR COMP. (20A)	1	-	1	-	-----	STE
11	31130-ZG3-901	ROTOR COMP. (5MAGNET)	-	(1)	-	-	-----	L1,Q1,S1,V1,W1
			-	-	-	(1)	-----	
	31130-ZG4-911	ROTOR COMP. (6MAGNET)	1	-	1	-	-----	STE
	31610-ZG3-801	ROTOR COMP. (4MAGNET)	1	-	1	-	-----	LHE,LJE,LNE,QAAE,QAE,QBE,QHE,QHE4,QNE,QXE,SBE,SHE,SHE4,SJE,SNE
			-	(1)	-	(1)	-----	SXE,VAAE,VAE,VBE,VHE,VNE,VXE,WJE
	31610-ZG3-E01	-	(1)	-	-	-----	L1,Q1,S1,V1,W1
			-	-	-	(1)	-----	
12	90201-ZG3-000	NUT, FLANGE, 20MM	1	1	1	1	-----	
13	90401-ZG3-000	WASHER, 20MM	1	1	1	1	-----	
14	90741-ZG3-000	KEY, WOODRUFF, 50X7	1	1	1	1	-----	
15	93600-06012-0A	SCREW, FLAT, 6X12	3	-	3	-	-----	LHE,LJE,LNE,QAAE,QAE,QBE,QHE,QHE4,QNE,QXE,SBE,SHE,SHE4,SJE,SNE
			-	(3)	-	(3)	-----	STE,SXE,VAAE,VAE,VBE,VHE,VNE,VXE,WJE
16	94103-06800	WASHER, PLAIN, 6MM	3	3	3	3	-----	LH,LHE,LHQ4,LJ,LJE,LNE,L1
17	95701-06012-00	BOLT, FLANGE, 6X12	1	-	1	-	-----	LHE,LJE,LNE,QAAE,QAE,QBE,QHE,QHE4,QNE,QXE,SBE,SHE,SHE4,SJE,SNE
			-	(1)	-	(1)	-----	STE,SXE,VAAE,VAE,VBE,VHE,VNE,VXE,WJE
18	95701-06018-08	BOLT, FLANGE, 6X18	3	3	3	3	-----	LH,LHE,LHQ4,LJ,LJE,LNE,L1
19	95701-06022-00	BOLT, FLANGE, 6X22	3	(3)	-	-	1001207	E1,QAQ,QHE,QNE,QXE,Q1,SHE,SJE,SNE,SXE,S1,VHE,VNE,VXE,V1,W1
	90015-ZG3-000	3	(3)	3	-	-----	LHE,LJE,LNE,L1,QAAE,QBE,QHE4,SBE,SHE4,STE,VAAE,VAE,VBE,WJE
			3	(3)	-	-	1001208	E1,QAQ,QHE,QNE,QXE,Q1,SHE,SJE,SNE,SXE,S1,VHE,VNE,VXE,V1,W1
			-	-	3	-	-----	QAQ,QHE,QXE,SHE,SJE,SXE,VHE,VXE
			-	-	-	(3)	-----	
20	19511-ZG3-610	FAN, COOLING	-	-	1	-	-----	LJ,LJE,LNE





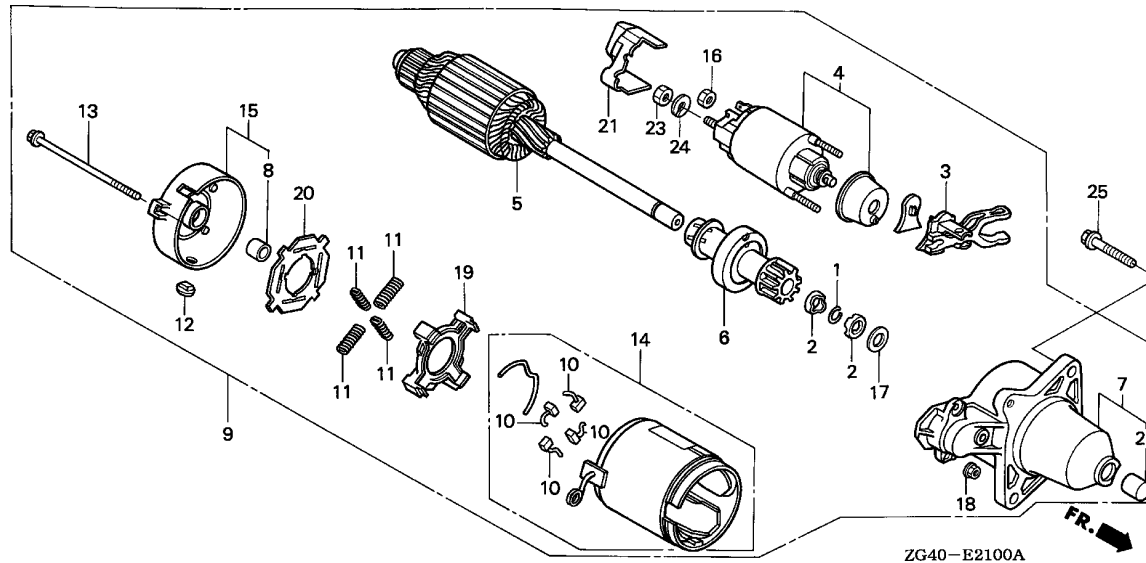
Service item	F.R.T.
MOTOR ASSY., STARTER	0.1
SWITCH ASSY., MAGNETIC	0.2
HOUSING COMP., DRIVE SIDE	0.4
BRUSH	0.5
.CLUTCH COMP., OVERRUNNING	
ARMATURE COMP.	0.6

2

Ref. No.	Part No.	Description	Reqd. QTY				Serial No.	Parts catalogue code
			GD 320 (1)	GD 320 (2)	GD 321 (1)	GD 321 (2)		
1	30201-PH9-004	RING, SNAP (DENSO)	1	-	1	-	LHE,LJE,LNE,QAAE,QAE,QBE,QHE,QHE4,QNE,QXE,SBE,SHE,SHE4,SJE,SNE SXE,VAAE,VAE,VBE,VHE,VNE,VXE,WJE	
2	30202-PH9-004	COLLAR, CLUTCH STOP	2	(1)	2	(1)	QBE,QNE,SBE,SNE,VNE LHE,LJE,LNE,QAAE,QAE,QHE,QXE,SHE,SJE,SXE,VAAE,VAE,VBE,VHE,VXE WJE	
			-	(2)	-	-		
			-	-	2	-	1000721 LHE,LJE,LNE,QAAE,QAE,QHE,QHE4,QXE,SHE,SHE4,SJE,SXE,VAAE,VAE VBE,VHE,VXE,WJE	
			-	-	(2)	-	1000721	
	30202-PZ1-003	COLLAR SET, CLUTCH STOP	-	-	2	-	1000722 LHE,LJE,LNE,QAAE,QAE,QHE,QHE4,QXE,SHE,SHE4,SJE,SXE,VAAE,VAE VBE,VHE,VXE,WJE	
3	31203-PN4-003	LEVER, PINION DRIVE	1	-	1	-	1000722 LHE,LJE,LNE,QAAE,QAE,QBE,QHE,QHE4,QNE,QXE,SBE,SHE,SHE4,SJE,SNE SXE,VAAE,VAE,VBE,VHE,VNE,VXE,WJE	
4	31204-ZG4-801	SWITCH ASSY., MAGNETIC	1	(1)	1	(1)	LHE,LJE,LNE,QAAE,QAE,QBE,QHE,QHE4,QNE,QXE,SBE,SHE,SHE4,SJE,SNE SXE,VAAE,VAE,VBE,VHE,VNE,VXE,WJE	
5	31206-PH9-004	ARMATURE COMP.	1	(1)	1	(1)	LHE,LJE,LNE,L1	
	31206-ZG4-801	1	(1)	1	(1)	E1,QAAE,QAE,QBE,QHE,QHE4,QNE,QXE,Q1,SBE,SHE,SHE4,SJE,SNE,SXE S1,VAAE,VAE,VBE,VHE,VNE,VXE,V1,WJE,W1	
6	31207-ZG4-611	CLUTCH COMP., OVERRUNNING ...	1	(1)	1	(1)	LHE,LJE,LNE,L1	
	31207-ZG4-801	1	(1)	1	(1)	E1,QAAE,QAE,QBE,QHE,QHE4,QNE,QXE,Q1,SBE,SHE,SHE4,SJE,SNE,SXE S1,VAAE,VAE,VBE,VHE,VNE,VXE,V1,WJE,W1	
7	31208-ZG4-801	HOUSING COMP., DRIVE SIDE ...	1	-	1	-	LHE,LJE,LNE,QAAE,QAE,QBE,QHE,QHE4,QNE,QXE,SBE,SHE,SHE4,SJE,SNE SXE,VAAE,VAE,VBE,VHE,VNE,VXE,WJE	
			-	(1)	-	(1)		

Ref. No.	Part No.	Description	Reqd. QTY				Serial No.	Parts catalogue code
			GD 320 (1)	GD 320 (2)	GD 321 (1)	GD 321 (2)		
8	31210-PH9-004	BEARING B	1	-	1	-	LHE, LJE, LNE, QAAE, QAE, QBE, QHE, QHE4, QNE, QXE, SBE, SHE, SHE4, SJE, SNE SXE, VAAE, VAE, VBE, VHE, VNE, VXE, WJE	
9	31210-ZG4-801	MOTOR ASSY., STARTER	1	(1)	-	-	1000110 Q1, SJE, S1, V1, W1	
	31200-ZG4-611	1	(1)	1	(1)	1001207 QAE, QHE, QNE, QXE, SHE, SNE, SXE, VHE, VNE, VXE	
	31210-ZG4-802	1	(1)	1	(1)	LHE, LJE, LNE, L1	
			1	(1)	-	-	E1, QAAE, QBE, QHE4, SBE, SHE4, VAAE, VAE, VBE, WJE	
			1	(1)	-	-	1000111 Q1, SJE, S1, V1, W1	
			1	-	-	-	1001208 QAE, QHE, QNE, QXE, SHE, SNE, SXE, VHE, VNE, VXE	
10	31211-PH9-004	BRUSH	4	-	4	-	QAE, QHE, QXE, Q1, SHE, SJE, SXE, S1, VHE, VXE, V1, W1	
			-	(4)	-	(4)	LHE, LJE, LNE, QAAE, QAE, QBE, QHE, QHE4, QNE, QXE, SBE, SHE, SHE4, SJE, SNE SXE, VAAE, VAE, VBE, VHE, VNE, VXE, WJE	
11	31212-PH9-004	SPRING, BRUSH	4	-	4	-	LHE, LJE, LNE, QAAE, QAE, QBE, QHE, QHE4, QNE, QXE, SBE, SHE, SHE4, SJE, SNE SXE, VAAE, VAE, VBE, VHE, VNE, VXE, WJE	
12	31213-679-004	COVER	1	(1)	-	(1)	LHE, LJE, LNE, QAAE, QAE, QBE, QHE, QHE4, QNE, QXE, SBE, SHE, SHE4, SJE, SNE SXE, VAAE, VAE, VBE, VHE, VNE, VXE, WJE	
13	31214-PH9-004	BOLT, THROUGH	2	(1)	-	(1)	LHE, LJE, LNE, QAAE, QAE, QBE, QHE, QHE4, QNE, QXE, SBE, SHE, SHE4, SJE, SNE SXE, VAAE, VAE, VBE, VHE, VNE, VXE, WJE	
14	31218-ZG4-801	YOKE COMP.	1	(2)	-	(2)	LHE, LJE, LNE, QAAE, QAE, QBE, QHE, QHE4, QNE, QXE, SBE, SHE, SHE4, SJE, SNE SXE, VAAE, VAE, VBE, VHE, VNE, VXE, WJE	
15	31219-ZG4-801	FRAME COMP., COMMUTATOR END -	1	(1)	-	(1)	LHE, LJE, LNE, QAAE, QAE, QBE, QHE, QHE4, QNE, QXE, SBE, SHE, SHE4, SJE, SNE SXE, VAAE, VAE, VBE, VHE, VNE, VXE, WJE	
16	31220-PH9-004	NUT, HEX., 8MM	1	(1)	-	(1)	LHE, LJE, LNE, QAAE, QAE, QBE, QHE, QHE4, QNE, QXE, SBE, SHE, SHE4, SJE, SNE SXE, VAAE, VAE, VBE, VHE, VNE, VXE, WJE	
17	31221-PH9-004	WASHER	1	(1)	-	(1)	LHE, LJE, LNE, QAAE, QAE, QBE, QHE, QHE4, QNE, QXE, SBE, SHE, SHE4, SJE, SNE SXE, VAAE, VAE, VBE, VHE, VNE, VXE, WJE	
18	31223-PA0-006	NUT, FLANGE, 5MM	2	(1)	-	(1)	1000721 LHE, LJE, LNE, QAAE, QAE, QBE, QHE, QHE4, QNE, QXE, SBE, SHE, SHE4, SJE, SNE SXE, VAAE, VAE, VBE, VHE, VNE, VXE, WJE	
19	31231-PH9-004	HOLDER, BRUSH	1	(2)	-	(2)	LHE, LJE, LNE, QAAE, QAE, QBE, QHE, QHE4, QNE, QXE, SBE, SHE, SHE4, SJE, SNE SXE, VAAE, VAE, VBE, VHE, VNE, VXE, WJE	
20	31233-PH9-004	INSULATOR, BRUSH HOLDER	1	(1)	-	(1)	LHE, LJE, LNE, QAAE, QAE, QBE, QHE, QHE4, QNE, QXE, SBE, SHE, SHE4, SJE, SNE SXE, VAAE, VAE, VBE, VHE, VNE, VXE, WJE	
21	31235-ZG4-801	COVER, TERMINAL	1	(1)	-	(1)	LHE, LJE, LNE, QAAE, QAE, QBE, QHE, QHE4, QNE, QXE, SBE, SHE, SHE4, SJE, SNE SXE, VAAE, VAE, VBE, VHE, VNE, VXE, WJE	
22	91002-ZG4-801	BEARING A	1	(1)	-	(1)	LHE, LJE, LNE, QAAE, QAE, QBE, QHE, QHE4, QNE, QXE, SBE, SHE, SHE4, SJE, SNE SXE, VAAE, VAE, VBE, VHE, VNE, VXE, WJE	
23	94001-08200-0S	NUT, HEX., 8MM	1	(1)	-	(1)	LHE, LJE, LNE, QAAE, QAE, QBE, QHE, QHE4, QNE, QXE, SBE, SHE, SHE4, SJE, SNE SXE, VAAE, VAE, VBE, VHE, VNE, VXE, WJE	





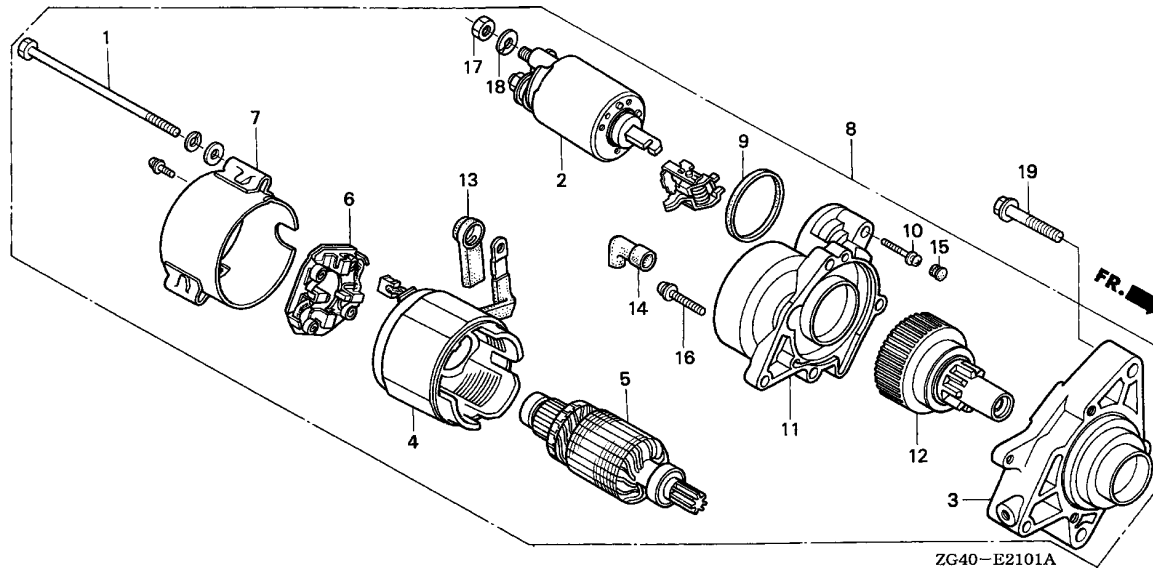
ZG40-E2100A

Ref. No.	Part No.	Description	Reqd. QTY				Serial No.	Parts catalogue code
			GD 320 (1)	GD 320 (2)	GD 321 (1)	GD 321 (2)		
24	94111-08000	WASHER, SPRING, 8MM	1	-	1	-	-----	LHE,LJE,LNE,QAAE,QAE,QBE,QHE,QHE4,QNE,QXE,SBE,SHE,SHE4,SJE,SNE SXE,VAAE,VAE,VBE,VHE,VNE,VXE,WJE
25	95701-08028-00	BOLT, FLANGE, 8X28	-	(1)	-	(1)	-----	LHE,LJE,QAAE,QAE,QBE,QHE,QHE4,QNE,QXE,SBE,SHE,SHE4,SJE,SNE,SXE VAAE,VAE,VBE,VHE,VNE,VXE,WJE
			2	-	-	-	-----	LNE
			-	(2)	-	(2)	-----	
			-	-	2	-	-----	1000079 LNE

E-21-1

STARTER MOTOR(2)

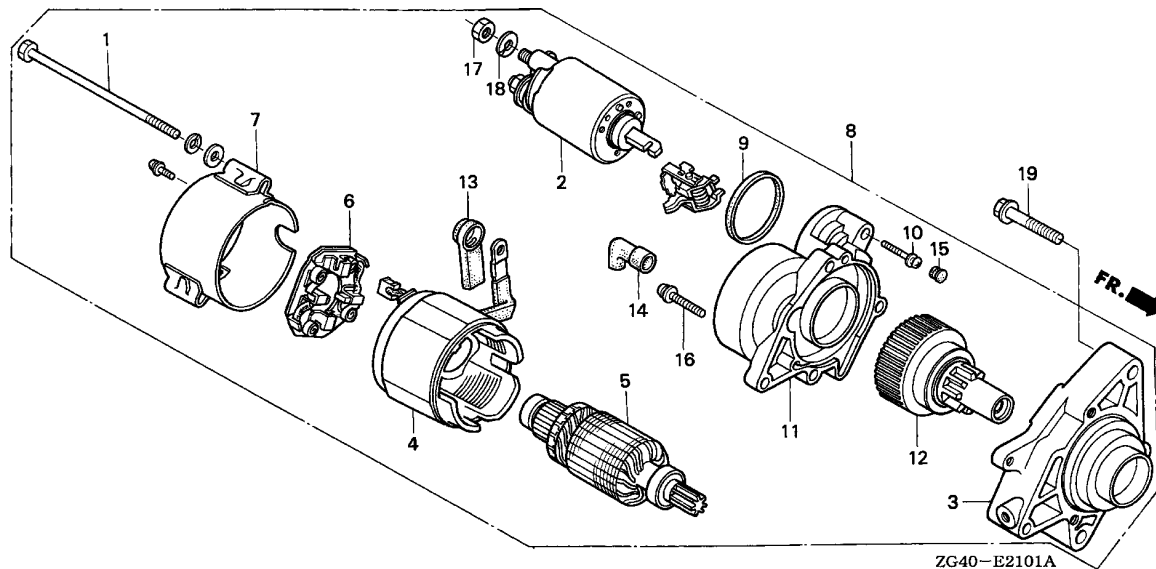
G10



Service item	F.R.T.
MOTOR ASSY., STARTER	0.1
SWITCH ASSY., MAGNETIC	0.2
CASE COMP., FR.	0.4
.COVER, GEAR	
.GEAR ASSY.	
ARMATURE COMP.	0.5
.STAY ASSY., BRUSH	
.YOKE ASSY.	

Ref. No.	Part No.	Description	Reqd. QTY				Serial No.	Parts catalogue code
			GD 320 (1)	GD 320 (2)	GD 321 (1)	GD 321 (2)		
1	31202-PC2-681	BOLT, THROUGH	2	-	-	-	----- STE	
2	31204-ZG3-801	SWITCH ASSY., MAGNETIC	1	-	-	-	1001194 STE	
	31204-ZG3-802	1	-	-	1005582	----- STE	
3	31205-ZG3-801	COVER, GEAR	-	-	1	-	1001194 STE	
4	31206-PH7-006	YOKE ASSY. (MITSUBA)	1	-	-	-	1001194 STE	
5	31207-PH3-953	ARMATURE COMP.	1	-	-	-	1001194 STE	
	31207-PH3-954	ARMATURE ASSY.	1	-	-	1005582	----- STE	
			-	-	1	-	1001194 STE	
6	31208-PH7-006	STAY ASSY., BRUSH (MITSUBA) -	1	-	-	-	----- STE	
			-	-	1	-	1001194 STE	
7	31209-PH7-006	BRACKET, RR. UNIT	1	-	-	-	----- STE	
8	31210-ZG3-801	MOTOR ASSY., STARTER	1	-	-	-	1001194 STE	
	31210-ZG3-802	1	-	-	1005582	----- STE	
9	31211-PC2-006	RING, SQUARE (MITSUBA)	-	-	1	-	1001194 STE	
10	31217-PC2-006	SCREW-WASHER, 4X28(MITSUBA) -	-	-	3	-	----- STE	
			-	-	3	-	1001194 STE	
11	31229-PH7-016	CASE COMP., FR.	1	-	-	-	----- STE	
	31229-PH7-026	-	-	1	-	1001194 STE	
12	31230-ZG3-801	GEAR ASSY.	1	-	-	-	----- STE	
			-	-	1	-	1001194 STE	

2



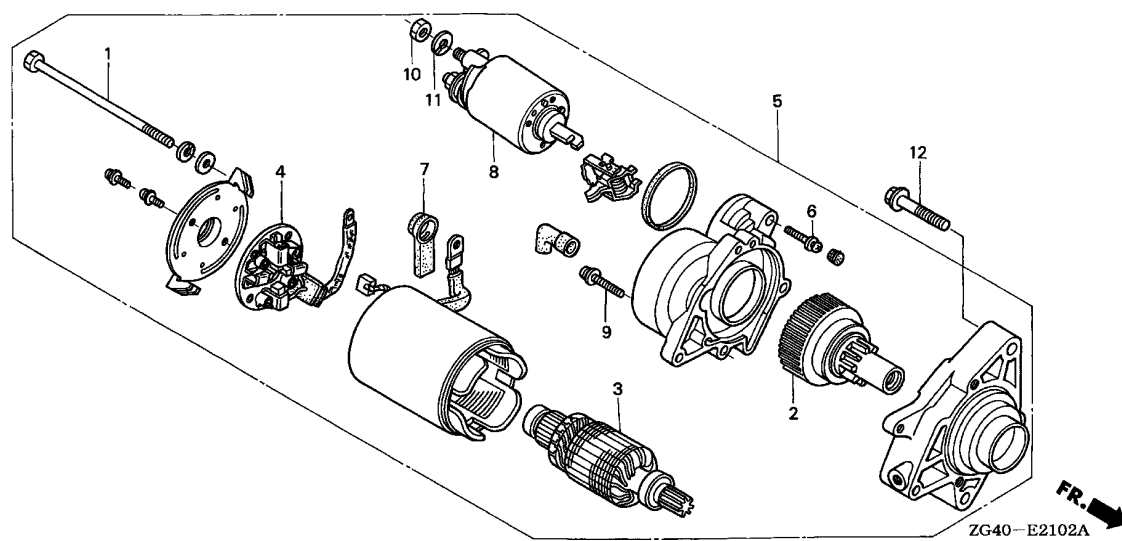
ZG40-E2101A

Ref. No.	Part No.	Description	Reqd. QTY				Serial No.	Parts catalogue code
			GD 320 (1)	GD 320 (2)	GD 321 (1)	GD 321 (2)		
13	31235-PD2-016	COVER, TERMINAL (MITSUBA) ...	1	-	-	-	----- STE	
14	31251-PD2-026	TUBE, LABYRINTH	1	-	-	-	----- STE	
15	31252-PD2-006	RUBBER, BUSH (MITSUBA)	1	-	-	-	----- STE	
			-	-	1	-	----- STE	
16	93892-06030-18	SCREW-WASHER, 6X30	3	-	-	-	----- STE	
			-	-	3	-	----- STE	
17	94002-08080-0S	NUT, HEX., 8MM	1	-	-	-	----- STE	
18	94111-08800	WASHER, SPRING, 8MM	1	-	-	-	----- STE	
			-	-	1	-	----- STE	
19	95701-08040-00	BOLT, FLANGE, 8X40	2	-	-	-	----- STE	
			-	-	2	-	----- STE	

E-21-2

STARTER MOTOR(3)

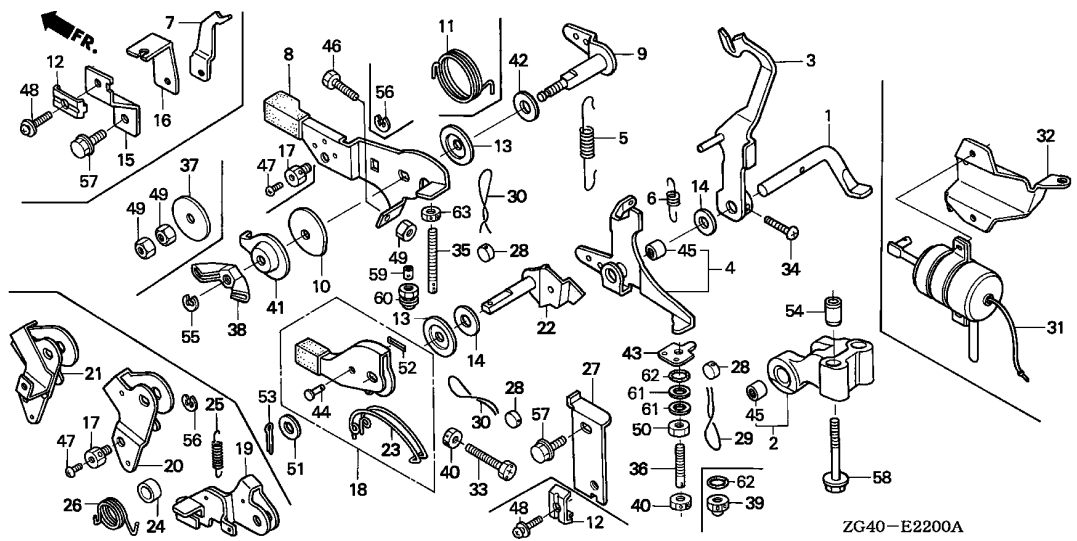
G12



Service item	F.R.T.
SWITCH ASSY.	0.2
GEAR ASSY.	0.4
ARMATURE ASSY.	0.5
.STAY ASSY., BRUSH	

Ref. No.	Part No.	Description	Reqd. QTY				Serial No.	Parts catalogue code
			GD 320 (1)	GD 320 (2)	GD 321 (1)	GD 321 (2)		
1	31202-POC-004	BOLT, SETTING	-	-	2	-	1001195 ----- STE	
2	31204-P8A-A01	GEAR ASSY.	-	-	1	-	1001195 ----- STE	
3	31207-PAA-A02	ARMATURE ASSY.	-	-	1	-	1001195 ----- STE	
4	31208-P8A-A01	STAY ASSY., BRUSH	-	-	1	-	1001195 ----- STE	
5	31210-ZG3-803	MOTOR ASSY., STARTER	-	-	1	-	1001195 ----- STE	
6	31217-PC2-006	SCREW-WASHER, 4X28(MITSUBA) ..	-	-	3	-	1001195 ----- STE	
7	31235-ZA0-981	COVER, TERMINAL	-	-	1	-	1001195 ----- STE	
8	31240-ZG3-801	SWITCH ASSY.	-	-	1	-	1001195 ----- STE	
9	93892-06025-18	SCREW-WASHER, 6X25	-	-	3	-	1001195 ----- STE	
10	94002-08080-0S	NUT, HEX., 8MM	-	-	1	-	1001195 ----- STE	
11	94111-08800	WASHER, SPRING, 8MM	-	-	1	-	1001195 ----- STE	
12	95701-08040-00	BOLT, FLANGE, 8X40	-	-	2	-	1001195 ----- STE	

2



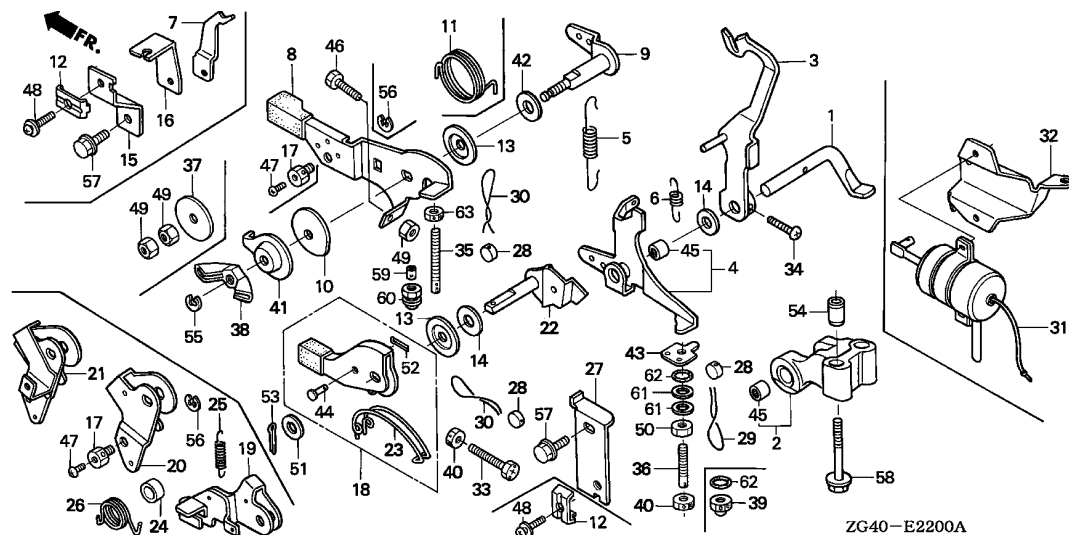
Service item	F.R.T.
LEVER, CONTROL	0.2
.SOLENOID ASSY., ENGINE STOP	
SHAFT, CONTROL LEVER	1.1
(INC. RELATIVE PART)	
.SHAFT, STOP LEVER	
(INC. RELATIVE PART)	

ZG40-E2200A

Ref. No.	Part No.	Description	Reqd. QTY				Serial No.	Parts catalogue code
			GD 320 (1)	GD 320 (2)	GD 321 (1)	GD 321 (2)		
1	16541-ZG3-000	SHAFT, GOVERNOR ARM	1	1	1	1		
2	16544-ZG3-000	STAY, GOVERNOR SHAFT	1	1	1	1		
3	16550-ZG3-000	ARM COMP., GOVERNOR	1	1	1	1		
4	16558-ZG3-000	ARM COMP., SUB GOVERNOR	1	1	-	-	1001169 QA,QAE,QH,QHE,QN,QNE,QX,QXE,Q1,SH,SHE,SN,SNE,SX,SXE,S1,VH,VHE VN,VNE,VX,VXE,V1,WH,WX,W1	
	16558-ZG3-010	1	1	-	-	1000150 SJ,SJE,WJ	
			1	1	-	-	E1,LH,LHE,LJ,LJE,LNE,L1,PAA,QAA,QAAE,QB,QBE,SB,SBE,STE,VA,VAA VAAE,VAE,VB,VBE,WA,WAA,WJE	
			1	1	-	-	1001170 QA,QAE,QH,QHE,QN,QNE,QX,QXE,Q1,SH,SHE,SN,SNE,SX,SXE,S1,VH,VHE VN,VNE,VX,VXE,V1,WH,WX,W1	
			1	-	-	-	1000151 SJ,SJE,WJ	
5	16561-ZG3-000	SPRING, GOVERNOR	1	-	1	-	LH,LHE,LHQ4,LJ,LJE,LNE,PAA,QA,QAA,QAAE,QAE,QH,QHE,QHE4,QX,QXE SH,SHE,SHE4,SJ,SJE,STE,SX,SXE,SXQ4,VA,VAA,VAAE,VAE,VH,VHE,VX VXE,WA,WAA,WH,WJ,WJE,WX	
	16561-ZG3-800	SPRING, GOVERNOR (3000RPM) ..	-	1	-	1	QB,QBE,QN,QNE,SB,SBE,SN,SNE,VB,VBE,VGB,VN,VNE	
6	16563-ZG3-000	SPRING, IDLE	1	1	-	-	LH,LHE,L1,QB,QBE,QN,QNE,SB,SBE,SN,SNE,VB,VBE,VN,VNE	
			1	1	-	-	1008489 E1,PAA,QA,QAA,QAAE,QAE,QH,QHE,QX,QXE,Q1,SH,SHE,STE,SX,SXE,S1 VA,VAA,VAAE,VAE,VH,VHE,VX,VXE,V1,WA,WAA,WH,WX,W1	
			1	-	-	-	1008484 LJ,LJE,LNE	
			1	-	-	-	1008849 SJ,SJE,WJ,WJE	
			-	-	1	-	1000017 LJ,LJE,LNE,SJ,SJE,WJ,WJE	

Ref. No.	Part No.	Description	Reqd. QTY				Serial No.	Parts catalogue code
			GD 320 (1)	GD 320 (2)	GD 321 (1)	GD 321 (2)		
(6)	16563-ZG3-010	SPRING, IDLE	1	1	-	-	1008490 ----- E1, PAA, QA, QAA, QAAE, QAE, QH, QHE, QX, QXE, Q1, SH, SHE, STE, SX, SXE, S1 VA, VAA, VAAE, VAE, VH, VHE, VX, VXE, V1, WA, WAA, WH, WX, W1	
			1	-	-	-	1008485 ----- LJ, LJE, LNE	
			1	-	-	-	1008850 ----- SJ, SJE, WJ, WJE	
			-	-	1	-	LH, LHE, LHQ4, PAA, QA, QAA, QAAE, QAE, QB, QBE, QH, QHE, QHE4, QX, QXE, SB SBE, SH, SHE, SHE4, STE, SX, SXE, SXQ4, VA, VAA, VAAE, VAE, VB, VBE, VGB, VH VHE, VX, VXE, WA, WAA, WH, WX	
			-	-	1	-	1000018 ----- LJ, LJE, LNE, SJ, SJE, WJ, WJE	
			-	-	-	-	1	
7	16569-ZG3-610	HOOK, SPRING	-	(1)	-	(1)		
8	16571-ZG3-E00	LEVER, CONTROL	-	(1)	-	(1)	----- E1	
	16571-ZG3-000	1	1	-	-	1003458 LH, LHE, L1, QA, QAE, QH, QHE, QX, QXE, Q1, SH, SHE, SN, SNE, SX, SXE, S1, VH VHE, VX, VXE, V1, WH, WX, W1	
			1	-	-	-	----- QB, QBE, QN, QNE, SB, SBE, VB, VBE, VN, VNE	
			1	-	-	-	1003936 SJ, SJE, WJ	
	16571-ZG3-010	1	-	-	-	PAA, VAE	
			1	(1)	-	-	----- E1, LJ, LJE, LNE, QAA, QAAE, STE, VA, VAA, VAAE, WA, WAA, WJE	
			1	(1)	-	-	1003459 LH, LHE, L1, QA, QAE, QH, QHE, QX, QXE, Q1, SH, SHE, SN, SNE, SX, SXE, S1, VH VHE, VX, VXE, V1, WH, WX, W1	
			1	-	-	-	1003937 ----- SJ, SJE, WJ	
			-	-	-	-	(1)	
9	16572-ZG3-000	SHAFT, CONTROL LEVER	1	1	1	1		
10	16574-ZG3-000	SPRING, LEVER	1	-	1	-	----- LH, LHE, LHQ4, LJ, LJE, PAA, QA, QAA, QAAE, QAE, QB, QBE, QH, QHE, QHE4, QN QNE, QX, QXE, SB, SBE, SH, SHE, SHE4, SJ, SJE, SN, SNE, SX, SXE, SXQ4, VA, VAA VAAE, VAE, VB, VBE, VGB, VH, VHE, VN, VNE, VX, VXE, WA, WAA, WH, WJ, WJE, WX	
			-	(1)	-	(1)		
11	16575-ZG3-800	SPRING, CONTROL LEVER	1	-	1	-	----- LNE, STE	
			-	(1)	-	(1)		
12	16576-891-000	HOLDER, CABLE	-	(N)	-	(N)		
13	16577-ZG3-000	SPACER, CONTROL LEVER (A) ...	2	-	-	-	----- LH, LHE, LJ, LJE, PAA, QA, QAA, QAAE, QAE, QB, QBE, QH, QHE, QN, QNE, QX, QXE SB, SBE, SH, SHE, SJ, SJE, SN, SNE, STE, SX, SXE, VA, VAA, VAAE, VAE, VB, VBE VH, VHE, VN, VNE, VX, VXE, WA, WAA, WH, WJ, WJE, WX	
			-	1	2	1		
			-	(1)	-	(1)		
14	16578-ZG3-000	SPACER, CONTROL LEVER (B) ...	1	-	1	-	----- LNE	
			2	-	2	-	----- LH, LHE, LHQ4, LJ, LJE, PAA, QA, QAA, QAAE, QAE, QB, QBE, QH, QHE, QHE4, QN QNE, QX, QXE, SB, SBE, SH, SHE, SHE4, SJ, SJE, SN, SNE, SX, SXE, SXQ4, VA, VAA VAAE, VAE, VB, VBE, VGB, VH, VHE, VN, VNE, VX, VXE, WA, WAA, WH, WJ, WJE, WX	
			2	-	-	-	1008404 STE	
			-	2	-	2		
			2	-	-	-	1008405 STE	
			-	(1)	-	(1)		
			-	-	2	-	----- STE	
15	16615-ZG3-800	HOLDER COMP., CABLE	-	(1)	-	(1)		
16	16615-ZG4-910	HOLDER, CABLE	1	-	1	-	----- LNE	
			1	-	1	-	----- STE	
17	16617-ZG3-000	HOLDER, WIRE	1	-	1	-	----- LNE, STE	
			-	(N)	-	(N)		
18	16630-ZG3-000	LEVER COMP., STOP	1	-	1	-	----- LH, LHE, LHQ4, LJ, LJE, PAA, QA, QAA, QAAE, QAE, QB, QBE, QH, QHE, QHE4, QN QNE, QX, QXE, SB, SBE, SH, SHE, SHE4, SJ, SJE, SN, SNE, SX, SXE, SXQ4, VA, VAA VAAE, VAE, VB, VBE, VGB, VH, VHE, VN, VNE, VX, VXE, WA, WAA, WH, WJ, WJE, WX	
			-	(1)	-	(1)		
19	16630-ZG3-610	LEVER COMP., STOP	-	(1)	-	(1)		
20	16630-ZG4-910	LEVER COMP., STOP	1	-	1	-	----- STE	
21	16631-ZG3-800	LEVER, STOP (REMOTE CONTROL)	-	(1)	-	(1)		



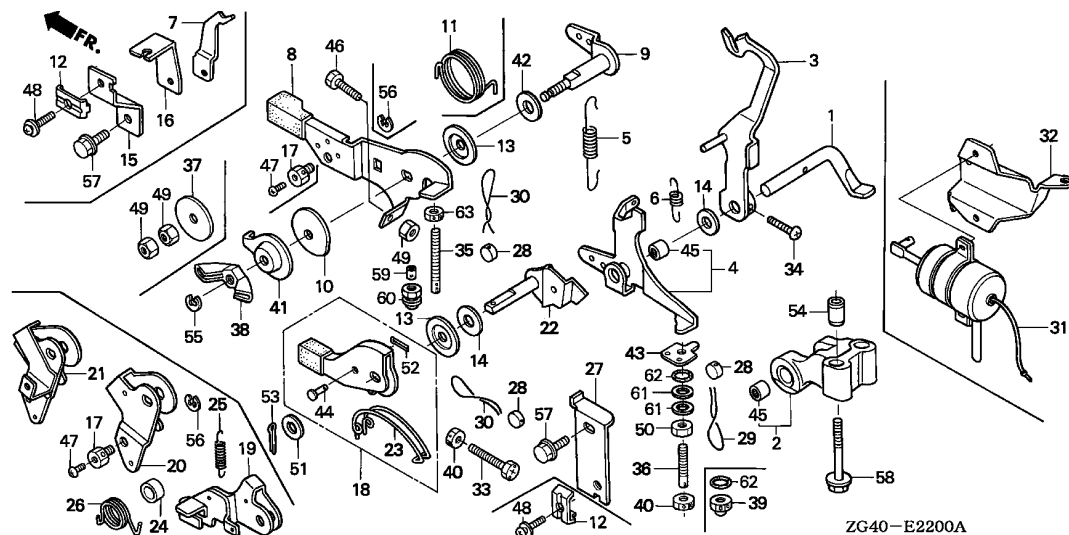


ZG40-E2200A

Ref. No.	Part No.	Description	Reqd. QTY				Serial No.	Parts catalogue code
			GD 320 (1)	GD 320 (2)	GD 321 (1)	GD 321 (2)		
22	16632-ZG3-000	SHAFT, STOP LEVER	1	-	1	-	LH,LHE,LHQ4,LJ,LJE,PAA,QA,QAA,QAAE,QAE,QB,QBE,QH,QHE,QHE4,QN,QNE,QX,QXE,SB,SBE,SH,SHE,SHE4,SJ,SJE,SN,SNE,STE,SX,SXE,SXQ4,VA,VAA,VAAE,VAE,VB,VBE,VGB,VH,VHE,VN,VNE,VX,VXE,WA,WAA,WH,WJ,WJE,WX	
23	16633-ZG3-300	SPRING, STOP LEVER	1	(1)	1	(1)	LH,LHE,LHQ4,LJ,LJE,PAA,QA,QAA,QAAE,QAE,QB,QBE,QH,QHE,QHE4,QN,QNE,QX,QXE,SB,SBE,SH,SHE,SHE4,SJ,SJE,SN,SNE,SX,SXE,SXQ4,VA,VAA,VAAE,VAE,VB,VBE,VGB,VH,VHE,VN,VNE,VX,VXE,WA,WAA,WH,WJ,WJE,WX	
24	16636-ZG3-800	COLLAR, STOP LEVER	1	(1)	1	(1)	STE	
25	16637-ZG3-610	SPRING, STOP LEVER	-	(1)	-	(1)		
26	16637-ZG3-800 16637-ZG4-910	SPRING, STOP LEVER	-	(1)	-	(1)	STE	
27	16645-ZG3-000	HOLDER COMP., STOP CABLE	1	-	1	-	QB,QBE,QN,QNE,SB,SBE,SN,SNE,VN,VNE LH,LHE,LJ,LJE,PAA,QA,QAA,QAAE,QAE,QH,QHE,QX,QXE,SH,SHE,SJ,SJE,SX,SXE,VA,VAA,VAAE,VAE,VB,VBE,VH,VHE,VX,VXE,WA,WAA,WH,WJ,WJE,WX	
			-	(1)	-	-	1000473 LH,LHE,LHQ4,PAA,QA,QAA,QAAE,QAE,QH,QHE,QHE4,QX,QXE,SH,SHE,SHE4,SX,SXE,SXQ4,VA,VAA,VAAE,VAE,VB,VBE,VGB,VH,VHE,VX,VXE,WA,WAA,WH,WJ,WJE,WX	
			-	-	1	-	1000546 LJ,LJE,SJ,SJE,WJ,WJE	
			-	-	-	(1)	1000465	

Ref. No.	Part No.	Description	Reqd.		QTY		Serial No.	Parts catalogue code
			GD 320 (1)	GD 320 (2)	GD 321 (1)	GD 321 (2)		
27)	16645-ZG3-010	HOLDER COMP., STOP CABLE	-	-	1	-	1000474	LH,LHE,LHQ4,PAA,QA,QAA,QAAE,QAE,QH,QHE,QHE4,QX,QXE,SH,SHE,SHE4,SX,SXE,SXQ4,VA,VAA,VAAE,VAE,VB,VBE,VGB,VH,VHE,VX,VXE,WA,WAA,WH,WX
			-	-	1	-	1000547	LJ,LJE,SJ,SJE,WJ,WJE
			-	-	-	(1)	1000466	
28	16727-705-000	END, LOCK	2	-	-	-		LNE
			3	1	3	-		E1,LH,LHE,LHQ4,QB,QBE,QH,QHE,QHE4,QN,QNE,QX,QXE,SB,SBE,SH,SHE,SHE4,SN,SNE,STE,SX,SXE,SXQ4,VB,VBE,VGB,VH,VHE,VN,VNE,VX,VXE,WH,WX
			3	-	-	-		LJ,LJE,PAA,QA,QAA,QAAE,QAE,SJ,SJE,VA,VAA,VAAE,VAE,WA,WAA,WJ,WJE
			-	(1)	-	-	1010177	L1,Q1,S1,V1,W1
			-	-	3	-	1000473	PAA,QA,QAA,QAAE,QAE,VA,VAA,VAAE,VAE,WA,WAA
			-	-	-	1		
			-	1	-	-	1010178	L1,Q1,S1,V1,W1
			-	-	1	-	1000474	PAA,QA,QAA,QAAE,QAE,VA,VAA,VAAE,VAE,WA,WAA
			-	-	2	-		LNE
			-	-	3	-		LJ,LJE,SJ,SJE,WJ,WJE
29	16728-ZG3-000	WIRE, LOCK (A)	1	1	-	1		LH,LHE,LHQ4,LJ,LJE,LNE,QB,QBE,QH,QHE,QHE4,QX,QXE,SB,SBE,SH,SHE,SHE4,SJ,SJE,STE,SX,SXE,SXQ4,VB,VBE,VGB,VH,VHE,VX,VXE,WH,WJ,WJE,WX
			-	-	1	-		
30	16729-ZG3-000	WIRE, LOCK (B)	-	-	1	-	1000017	PAA,QA,QAA,QAAE,QAE,VA,VAA,VAAE,VAE,WA,WAA
			1	-	-	-		LNE
			2	-	-	-		LH,LHE,LJ,LJE,PAA,QA,QAA,QAAE,QAE,QB,QBE,QH,QHE,QN,QNE,QX,QXE,SB,SBE,SH,SHE,SJ,SJE,SN,SNE,STE,SX,SXE,VA,VAA,VAAE,VAE,VB,VBE,VH,VHE,VN,VNE,VX,VXE,WA,WAA,WH,WJ,WJE,WX
			-	1	-	-	1005565	L1,Q1,S1,V1,W1
			-	(N)	2	-		E1,LH,LHE,LHQ4,LJ,LJE,PAA,QA,QAA,QAAE,QAE,QB,QBE,QH,QHE,QHE4,QX,QXE,SB,SBE,SH,SHE,SHE4,SJ,SJE,STE,SX,SXE,SXQ4,VA,VAA,VAAE,VAE,VB,VBE,VGB,VH,VHE,VX,VXE,WA,WAA,WH,WJ,WJE,WX
			-	(1)	-	-	1005565	L1,Q1,S1,V1,W1
			-	-	1	-		LNE
			-	(N)	-	-	1005566	L1,Q1,S1,V1,W1
			-	-	(N)	-		
			-	-	1	-	1000474	PAA,QA,QAA,QAAE,QAE,VA,VAA,VAAE,VAE,WA,WAA
31	36260-ZG4-911	SOLENOID ASSY., ENGINE STOP	1	-	1	-		STE
32	36261-ZG4-910	STAY, SOLENOID	1	-	1	-		STE
33	90007-ZG3-000	BOLT, RECESSED, 6X32	1	-	1	-		LH,LHE,LHQ4,LJ,LJE,PAA,QA,QAA,QAAE,QAE,QB,QBE,QH,QHE,QHE4,QN,QNE,QX,QXE,SB,SBE,SH,SHE,SHE4,SJ,SJE,SN,SNE,STE,SX,SXE,SXQ4,VA,VAA,VAAE,VAE,VB,VBE,VGB,VH,VHE,VN,VNE,VX,VXE,WA,WAA,WH,WJ,WJE,WX
			-	(1)	-	(1)		
34	90010-ZG3-000	SCREW, PAN, 3X18	1	1	1	1		
35	90045-ZG3-000	BOLT, CONTROL ADJUSTING	1	(1)	-	(1)		
			-	-	1	-		LH,LHE,LHQ4,LJ,LJE,LNE,QB,QBE,QH,QHE,QHE4,QX,QXE,SB,SBE,SH,SHE,SHE4,SJ,SJE,STE,SX,SXE,SXQ4,VB,VBE,VGB,VH,VHE,VX,VXE,WH,WJ,WJE,WX
			-	-	1	-	1000473	PAA,QA,QAA,QAAE,QAE,VA,VAA,VAAE,VAE,WA,WAA
	90045-ZJ7-930	-	-	1	-	1000474	PAA,QA,QAA,QAAE,QAE,VA,VAA,VAAE,VAE,WA,WAA
36	90102-ZG3-000	BOLT, ADJUSTING	1	-	-	-		
			-	(1)	-	-		1004885
	90102-ZJ7-000	-	-	1	-		1000079 LJ,LJE,LNE,SJ,SJE,WJ,WJE
			-	-	1	-		1000089 LH,LHE,PAA,QA,QAA,QAAE,QAE,QB,QBE,QH,QHE,QX,QXE,SB,SBE,SH,SHE,STE,SX,SXE,VA,VAA,VAAE,VAE,VB,VBE,VH,VHE,VX,VXE,WA,WAA,WH,WX
			-	-	-	1		1000089



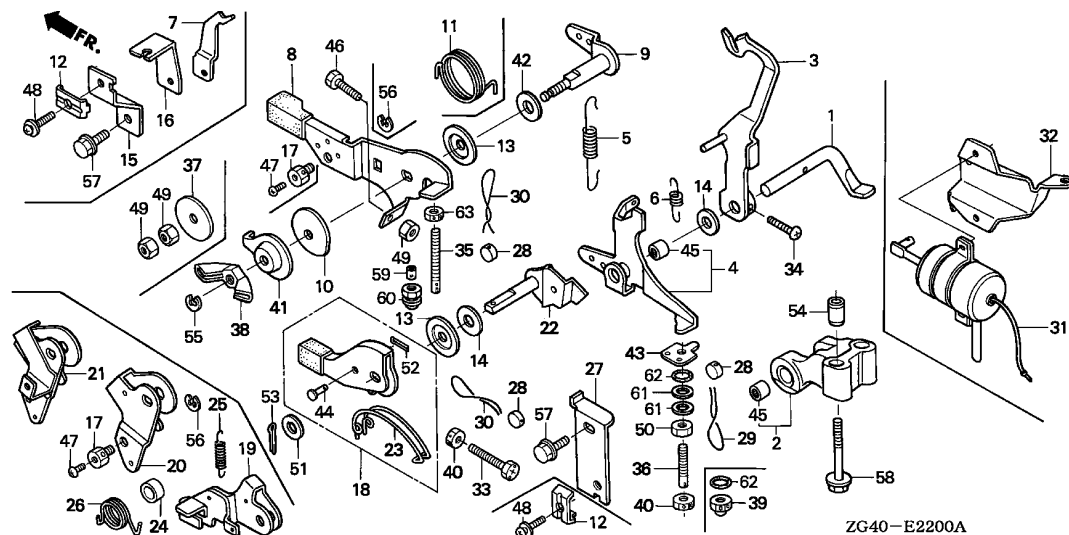


ZG40-E2200A

Ref. No.	Part No.	Description	Reqd. QTY				Serial No.	Parts catalogue code
			GD 320 (1)	GD 320 (2)	GD 321 (1)	GD 321 (2)		
36)	90102-ZG3-000 90102-ZJ7-010	BOLT, ADJUSTING	-	1	-	-	1004886	
		-	-	1	-	1000080	LJ,LJE,LNE,SJ,SJE,WJ,WJE
		-	-	1	-	1000090	LHQ4,QHE4,SHE4,SXQ4,VGB
		-	-	1	-	1000090	LH,LHE,PAA,QA,QAA,QAAE,QAE,QB,QBE,QH,QHE,QX,QXE,SB,SBE,SH,SHE,STE,SX,SXE,VA,VAA,VAAE,VAE,VB,VBE,VH,VHE,VX,VXE,WA,WAA,WH,WX
37	90136-428-870	WASHER, TANK SETTING	1	-	1	-	1000090	LNE,STE
		-	(1)	-	(1)		
38	90203-679-000	NUT, PLUG COVER	1	-	1	-		LH,LHE,LHQ4,LJ,LJE,PAA,QA,QAA,QAAE,QAE,QB,QBE,QH,QHE,QHE4,QN,QNE,QX,QXE,SB,SBE,SH,SHE,SHE4,SJ,SJE,SN,SNE,SX,SXE,SXQ4,VA,VAA,VAAE,VAE,VB,VBE,VGB,VH,VHE,VN,VNE,VX,VXE,WA,WAA,WH,WJ,WJE,WX
		-	(1)	-	(1)		
39	90205-ZJ7-000	NUT, CAP, 6MM	-	-	1	-	1000079	LJ,LJE,LNE,SJ,SJE,WJ,WJE
		-	-	1	-	1000089	LH,LHE,PAA,QA,QAA,QAAE,QAE,QB,QBE,QH,QHE,QX,QXE,SB,SBE,SH,SHE,STE,SX,SXE,VA,VAA,VAAE,VAE,VB,VBE,VH,VHE,VX,VXE,WA,WAA,WH,WX
		-	-	1	-	1000089	LHQ4,QHE4,SHE4,SXQ4,VGB
	90205-ZJ7-010	-	-	1	-	1000080	LJ,LJE,LNE,SJ,SJE,WJ,WJE
		-	-	1	-	1000090	LH,LHE,QB,QBE,QH,QHE,QX,QXE,SB,SBE,SH,SHE,STE,SX,SXE,VB,VBE,VH,VHE,VX,VXE,WH,WX
		-	-	1	-	1000090	1000473 PAA,QA,QAA,QAAE,QAE,VA,VAA,VAAE,VAE,WA,WAA
		-	-	1	-	1000090	1000090
	90205-ZJ7-930	-	-	1	-	1000474	PAA,QA,QAA,QAAE,QAE,VA,VAA,VAAE,VAE,WA,WAA

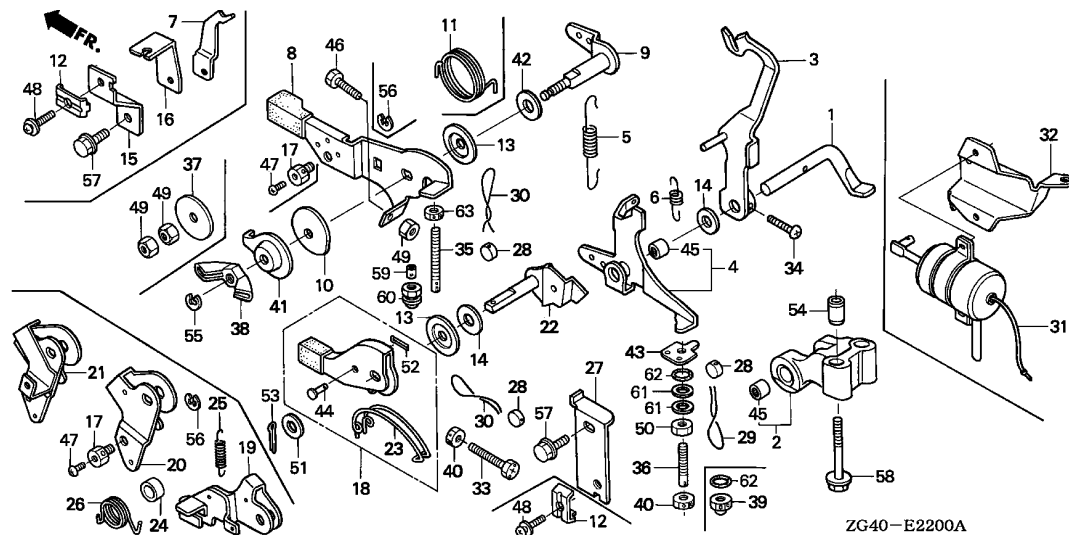
Ref. No.	Part No.	Description	Reqd. QTY				Serial No.	Parts catalogue code	
			GD 320 (1)	GD 320 (2)	GD 321 (1)	GD 321 (2)			
40	90206-ZG3-000	NUT, HEX., 6MM	1	-	1	2	-----	E1,LH,LHE,LHQ4,QB,QBE,QH,QHE,QHE4,QN,QNE,QX,QXE,SB,SBE,SH,SHE SHE4,SN,SNE,STE,SX,SXE,SXQ4,VB,VBE,VGB,VH,VHE,VN,VNE,VX,VXE,WH WX	
			1	-	-	-	-----	LNE,QA,QAA,QAAE,QAE,VA,VAA,VAE,WA,WAA	
			2	-	-	(1)	-----	LJ,LJE,L1,PAA,Q1,SJ,SJE,S1,VAE,V1,WJ,WJE,W1	
			-	(2)	-	-	-----	1004885	
			-	-	1	-	-----	1000473 PAA,QA,QAA,QAAE,QAE,VA,VAA,VAE,WA,WAA	
			-	(1)	-	-	-----	1004886	
			-	-	1	-	-----	LJ,LJE,LNE,SJ,SJE,WJ,WJE	
			-	-	1	-	-----	1000474 PAA,QA,QAA,QAAE,QAE,VA,VAA,VAE,WA,WAA	
41	90405-ZG3-000	WASHER, 6X30	1	-	1	-	-----	LH,LHE,LHQ4,LJ,LJE,PAA,QA,QAA,QAAE,QAE,QB,QBE,QH,QHE,QHE4,QN QNE,QX,QXE,SB,SBE,SH,SHE,SHE4,SJ,SJE,SN,SNE,SX,SXE,SXQ4,VA,VAA VAAE,VAE,VB,VBE,VGB,VH,VHE,VN,VNE,VX,VXE,WA,WAA,WH,WJ,WJE,WX	
42	16578-ZG3-000	SPACER, CONTROL LEVER (B) ...	1	-	1	-	-----	LH,LHE,LHQ4,LJ,LJE,LNE,PAA,QA,QAA,QAAE,QAE,QB,QBE,QH,QHE,QHE4 QN,QNE,QX,QXE,SB,SBE,SH,SHE,SHE4,SJ,SJE,SN,SNE,SX,SXE,SXQ4,VA VAA,VAE,VAE,VB,VBE,VGB,VH,VHE,VN,VNE,VX,VXE,WA,WAA,WH,WJ,WJE WX	
	90406-KFO-003	WASHER, WAVE	1	-	-	-	1008405	-----	STE
43	90426-ZG3-000	WASHER, SEALING	1	-	-	-	-	-----	STE
			-	(1)	-	-	-----	1004885	
			-	1	-	-	-----	1004886	
			-	-	1	-	-----	LH,LHE,LHQ4,LJ,LJE,LNE,QB,QBE,QH,QHE,QHE4,QX,QXE,SB,SBE,SH,SHE SHE4,SJ,SJE,STE,SX,SXE,SXQ4,VB,VBE,VGB,VH,VHE,VX,VXE,WH,WJ,WJE WX	
			-	-	1	-	-----	1000017 PAA,QA,QAA,QAAE,QAE,VA,VAA,VAE,WA,WAA	
			-	-	-	1	-	-----	
44	90751-ZG3-300	PIN, CENTER, 4X16.5	1	-	1	-	-----	LH,LHE,LHQ4,LJ,LJE,PAA,QA,QAA,QAAE,QAE,QB,QBE,QH,QHE,QHE4,QN QNE,QX,QXE,SB,SBE,SH,SHE,SHE4,SJ,SJE,SN,SNE,SX,SXE,SXQ4,VA,VAA VAAE,VAE,VB,VBE,VGB,VH,VHE,VN,VNE,VX,VXE,WA,WAA,WH,WJ,WJE,WX	
45	91024-KG4-004	BEARING, NEEDLE, 8X12X10(TOYO)	2	(1)	2	(1)			
46	92301-06020-0A	BOLT, RECESSED, 6X20	1	-	1	-	-----	LH,LHE,LHQ4,LJ,LJE,PAA,QA,QAA,QAAE,QAE,QB,QBE,QH,QHE,QHE4,QN QNE,QX,QXE,SB,SBE,SH,SHE,SHE4,SJ,SJE,SN,SNE,STE,SX,SXE,SXQ4,VA VAA,VAE,VAE,VB,VBE,VGB,VH,VHE,VN,VNE,VX,VXE,WA,WAA,WH,WJ,WJE WX	
47	93500-04008-0A	SCREW, PAN, 4X8	1	(1)	1	(1)	-----	LNE,STE	
48	93893-05020-00	SCREW-WASHER, 5X20	-	(N)	-	(N)			
49	94001-06000-0S	NUT, HEX., 6MM	1	-	1	-	-----	LH,LHE,LHQ4,LJ,LJE,PAA,QA,QAA,QAAE,QAE,QB,QBE,QH,QHE,QHE4,QN QNE,QX,QXE,SB,SBE,SH,SHE,SHE4,SJ,SJE,SN,SNE,SX,SXE,SXQ4,VA,VAA VAAE,VAE,VB,VBE,VGB,VH,VHE,VN,VNE,VX,VXE,WA,WAA,WH,WJ,WJE,WX	
			2	-	2	-	-----	LNE	
			3	-	3	-	-----	STE	
			-	(3)	-	(3)			
50	94001-06280-0S	NUT, HEX., 6MM	1	-	-	-	-----	1004885	
			-	(1)	-	-	-----	1004886	
			-	1	-	-	-----		
			-	-	1	1			





ZG40-E2200A

Ref. No.	Part No.	Description	Reqd. QTY				Serial No.	Parts catalogue code
			GD 320 (1)	GD 320 (2)	GD 321 (1)	GD 321 (2)		
51	94102-08000	WASHER, PLAIN, 8MM	1	-	1	-	LH,LHE,LHQ4,LJ,LJE,PAA,QA,QAA,QAAE,QAE,QB,QBE,QH,QHE,QHE4,QN,QNE,QX,QXE,SB,SBE,SH,SHE,SHE4,SJ,SJE,SN,SNE,STE,SX,SXE, SXQ4,VA,VAA,VAAE,VAE,VB,VBE,VGB,VH,VHE,VN,VNE,VX,VXE,WA,WAA,WH,WJ,WJE,WX	
52	94201-16080	PIN, SPLIT, 1.6	-	(1)	-	(1)	LH,LHE,LHQ4,LJ,LJE,PAA,QA,QAA,QAAE,QAE,QB,QBE,QH,QHE,QHE4,QN,QNE,QX,QXE,SB,SBE,SH,SHE,SHE4,SJ,SJE,SN,SNE,SX,SXE, SXQ4,VA,VAA,VAAE,VAE,VB,VBE,VGB,VH,VHE,VN,VNE,VX,VXE,WA,WAA,WH,WJ,WJE,WX	
53	94201-25150	PIN, SPLIT, 2.5X15	-	(1)	-	(1)	LH,LHE,LHQ4,LJ,LJE,PAA,QA,QAA,QAAE,QAE,QB,QBE,QH,QHE,QHE4,QN,QNE,QX,QXE,SB,SBE,SH,SHE,SHE4,SJ,SJE,SN,SNE,STE,SX,SXE, SXQ4,VA,VAA,VAAE,VAE,VB,VBE,VGB,VH,VHE,VN,VNE,VX,VXE,WA,WAA,WH,WJ,WJE,WX	
54	94301-08140	DOWEL PIN, 8X14	-	(1)	-	(1)	LH,LHE,LHQ4,LJ,LJE,PAA,QA,QAA,QAAE,QAE,QB,QBE,QH,QHE,QHE4,QN,QNE,QX,QXE,SB,SBE,SH,SHE,SHE4,SJ,SJE,SN,SNE,STE,SX,SXE, SXQ4,VA,VAA,VAAE,VAE,VB,VBE,VGB,VH,VHE,VN,VNE,VX,VXE,WA,WAA,WH,WJ,WJE,WX	
55	94540-03010	E-RING, 3MM	1	-	1	-	LH,LHE,LHQ4,LJ,LJE,PAA,QA,QAA,QAAE,QAE,QB,QBE,QH,QHE,QHE4,QN,QNE,QX,QXE,SB,SBE,SH,SHE,SHE4,SJ,SJE,SN,SNE,STE,SX,SXE, SXQ4,VA,VAA,VAAE,VAE,VB,VBE,VGB,VH,VHE,VN,VNE,VX,VXE,WA,WAA,WH,WJ,WJE,WX	
56	94540-05010	E-RING, 5MM	1	-	1	-	LNE,STE	
57	95701-06016-00	BOLT, FLANGE, 6X16	-	(N)	-	(N)		
58	95701-06040-09	BOLT, FLANGE, 6X40	1	(2)	1	(2)		
59	16727-ZJ7-930	COVER, LOCK	-	-	2	-	1000474 ----- PAA,QA,QAA,QAAE,QAE,VA,VAA,VAAE,VAE,WA,WAA	
60	90206-ZJ7-930	NUT, CAP, 6MM	-	-	1	-	1000474 ----- PAA,QA,QAA,QAAE,QAE,VA,VAA,VAAE,VAE,WA,WAA	

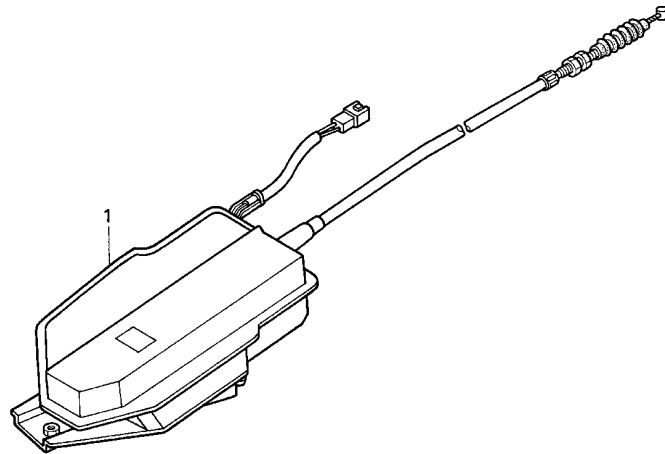


Ref. No.	Part No.	Description	Reqd. QTY				Serial No.	Parts catalogue code
			GD 320 (1)	GD 320 (2)	GD 321 (1)	GD 321 (2)		
61	90425-ZG5-000	WASHER, 6MM	-	-	1	-	----- LH,LHE,LHQ4,QB,QBE,QH,QHE,QHE4,QX,QXE,SB,SBE,SH,SHE,SHE4,STE SX,SXE,SXQ4,VB,VBE,VGB,VH,VHE,VX,VXE,WH,WX ----- 1000473 PAA,QA,QAA,QAAE,QAE,VA,VAA,VA AE,VAE,WA,WAA	
62	91352-SA5-952	O-RING, 7.8X1.9(NOK)	-	-	2	1000474	----- PAA,QA,QAA,QAAE,QAE,VA,VAA,VA AE,VAE,WA,WAA	
63	90206-ZG3-000	NUT, HEX., 6MM	1	(1)	-	1000474	----- PAA,QA,QAA,QAAE,QAE,VA,VAA,VA AE,VAE,WA,WAA	
			-	-	1	-	----- LH,LHE,LHQ4,QB,QBE,QH,QHE,QHE4,QX,QXE,SB,SBE,SH,SHE,SHE4,STE SX,SXE,SXQ4,VB,VBE,VGB,VH,VHE,VX,VXE,WH,WX ----- 1000473 PAA,QA,QAA,QAAE,QAE,VA,VAA,VA AE,VAE,WA,WAA	
	94002-06080-0S	-	-	1	1000474	----- LJ,LJE,LNE,SJ,SJE,WJ,WJE ----- PAA,QA,QAA,QAAE,QAE,VA,VAA,VA AE,VAE,WA,WAA	

E-22-20

ENGINE STOP MOTOR

H 5



ZG40-E2220



Service item	F.R.T.
MOTOR ASSY., ENGINE STOP	0.4

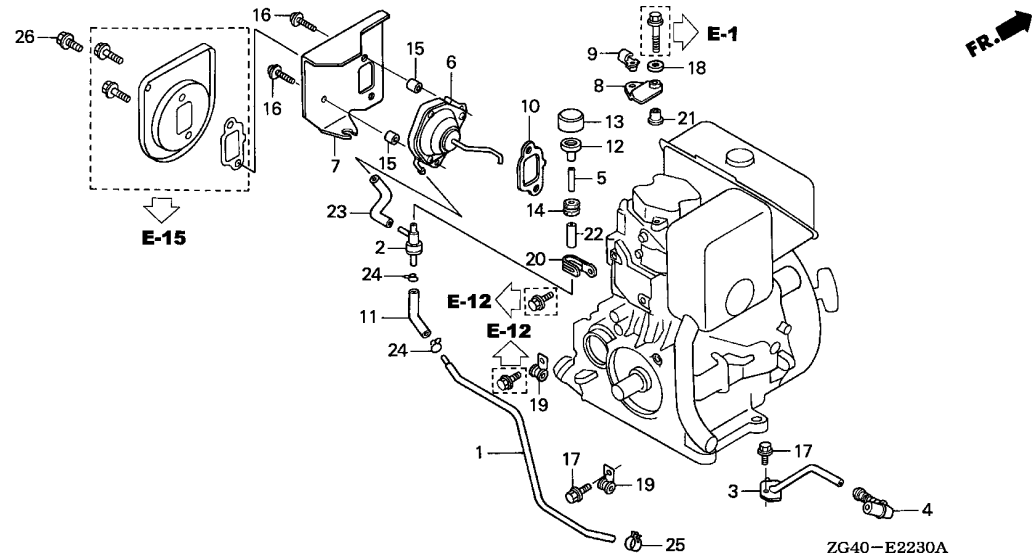
Ref. No.	Part No.	Description	Reqd. QTY				Serial No.	Parts catalogue code
			GD 320 (1)	GD 320 (2)	GD 321 (1)	GD 321 (2)		
1	36170-ZG3-611	MOTOR ASSY., ENGINE STOP	-	(1)	-	-	----- L1,Q1,S1,V1,W1	
			-	-	-	(1)		

2

E-22-30

DIAPHRAGM

H 6



Service item	F.R.T.
PACKING, AIR CLEANER	0.2
.PIPE, JOINT	
.STAY COMP., DIAPHRAGM	
.TUBE, CHECK VALVE	
.VALVE, CHECK	
DIAPHRAGM ASSY.	0.3

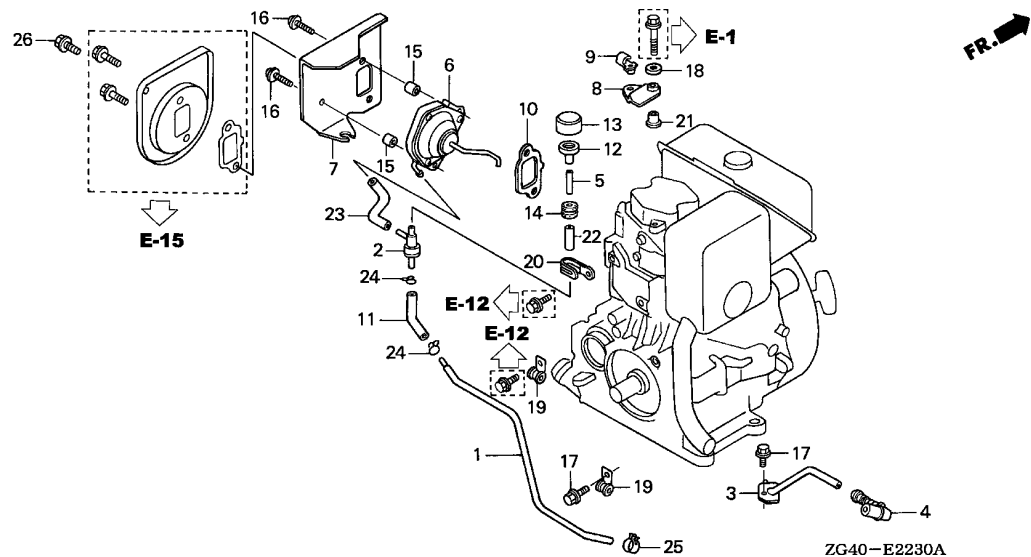
Ref. No.	Part No.	Description	Reqd. QTY				Serial No.	Parts catalogue code
			GD 320 (1)	GD 320 (2)	GD 321 (1)	GD 321 (2)		
1	12150-ZJ7-871	PIPE, JOINT	-	-	-	(1)		
2	15473-ZJ8-871	VALVE, CHECK	-	-	-	(1)		
3	15526-ZJ7-870	PIPE, OIL LEVEL	-	-	-	(1)		
4	15531-ZJ7-870	TUBE, OIL ALERT	-	-	-	(1)		
5	15537-ZJ7-870	ORIFICE, AIR PATH	-	-	-	(1)		
6	16020-ZJ7-871	DIAPHRAGM ASSY.	-	-	-	(1)		
7	16031-ZJ7-870	STAY COMP., DIAPHRAGM	-	-	-	(1)		
8	16032-ZJ7-871	LEVER, DIAPHRAGM	-	-	-	(1)		
9	16263-ZJ7-871	ROD, JOINT	-	-	-	(1)		
10	17228-ZG3-800	PACKING, AIR CLEANER (NON ASBEST)	-	-	-	(1)		
11	17315-PN3-000	TUBE, CHECK VALVE	-	-	-	(1)		
12	36138-PA0-004	FILTER ASSY., SOLENOID VALVE	-	-	-	(1)		
13	38776-671-000	CAP, AIR FILTER	-	-	-	(1)		
14	53133-KR1-760	GROMMET, IGNITION COVER	-	-	-	(1)		
15	84705-310-000	COLLAR, RR. FENDER	-	-	-	(2)		
16	90005-896-000	BOLT, FLANGE, 5X16	-	-	-	(2)		
17	90013-883-000	BOLT, FLANGE, 6X12(CT200)	-	-	-	(2)		
18	90401-ZJ7-871	WASHER, DIAPHRAGM LEVER	-	-	-	(1)		
19	90684-ZV4-003	CLIP, CORD	-	-	-	(2)		
20	91410-679-000	CLIP, 2X60	-	-	-	(1)		
21	91501-ZJ7-871	COLLAR, DIAPHRAGM LEVER	-	-	-	(1)		
22	95001-35025-40	TUBE, FUEL, 3.5X25 (95001-35001-60M)	-	-	-	(1)		

2

E-22-30

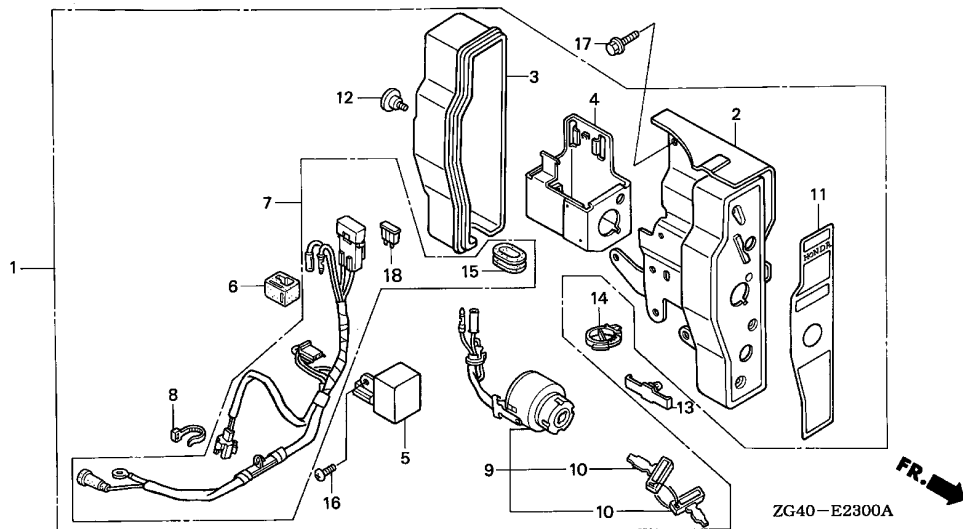
DIAPHRAGM

H 7



2

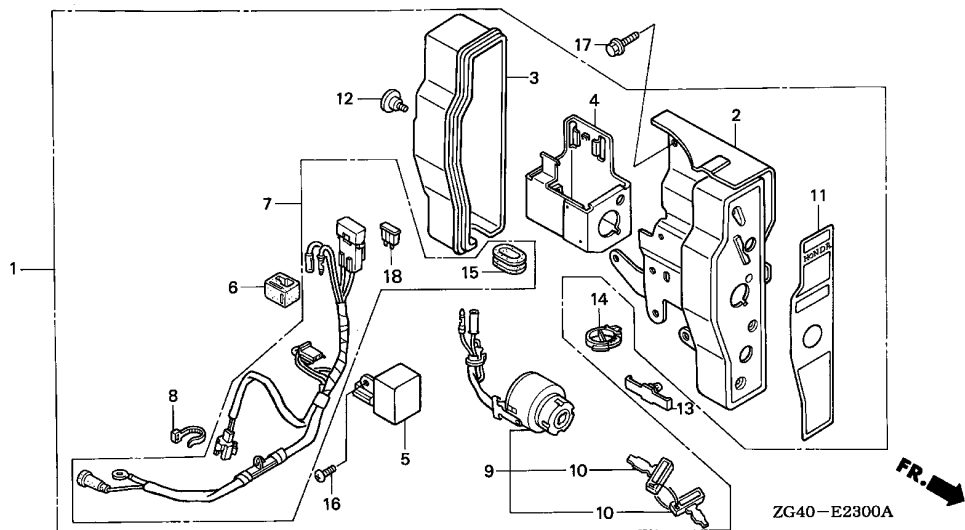
Ref. No.	Part No.	Description	Reqd. QTY				Serial No.	Parts catalogue code
			GD 320	GD 320	GD 321	GD 321		
23	95001-35090-40	TUBE, FUEL, 3.5X90 (95001-35001-60M)	-	-	-	(1)		
24	95002-02070	CLIP, TUBE (B7)	-	-	-	(2)		
25	95002-41300-08	CLAMP, TUBE (D13)	-	-	-	(1)		
26	95701-06012-08	BOLT, FLANGE, 6X12	-	-	-	(1)		



Service item	F.R.T.
BOX ASSY., CONTROL	0.1
.FUSE, BLADE	
.MARK, CONTROL BOX	
RECTIFIER COMP., SILICON	0.2
.SWITCH ASSY., COMBINATION	
PANEL COMP., CONTROL	0.3
BRACKET, CASE MOUNTING	0.4
.HARNES ASSY., CONTROL WIRE	

Ref. No.	Part No.	Description	Reqd. QTY				Serial No.	Parts catalogue code
			GD 320 (1)	GD 320 (2)	GD 321 (1)	GD 321 (2)		
1	31400-ZG4-811ZA	BOX ASSY., CONTROL (EXTERNAL) *NH116M*URBAN SILVER METALLIC	1	-	-	-	----- QNE,SNE,VNE	
			1	-	-	-	1005086 LHE	
			1	-	-	-	1005107 QAE,QHE,QXE,SHE,SXE,VHE,VXE	
			1	-	-	-	1005141 QBE,SBE,VBE	
			-	(1)	-	-	1005107	
	31400-ZG4-812ZA	*NH116M*URBAN SILVER METALLIC	1	-	1	-	----- QAAE,VA AE,VAE	
			1	-	-	-	1005087 LHE	
			1	-	-	-	1005108 QAE,QHE,QXE,SHE,SXE,VHE,VXE	
			1	-	-	-	1005142 QBE,SBE,VBE	
			-	(1)	-	-	1005108	
			-	-	1	-	----- LHE,QAE,QBE,QHE,QXE,SBE,SHE,SXE,VHE,VXE	
			-	-	1	-	1000400 VBE	
			-	-	-	(1)		
	31400-ZG3-812ZA	*NH116M*URBAN SILVER METALLIC	-	-	-	(1)		
	31400-ZG4-W41ZA	*NH116M*URBAN SILVER METALLIC	-	-	1	-	----- QHE4,SHE4	
			-	-	1	-	1000401 VBE	
	31400-ZG4-801ZA	BOX ASSY., CONTROL (INTERNAL) *NH116M*URBAN SILVER METALLIC	1	-	-	-	1006479 SJE	
			1	-	-	-	1006549 LJE	
	31400-ZG4-802ZA	*NH116M*URBAN SILVER METALLIC	1	-	1	-	----- LNE,WJE	
			1	-	-	-	1006480 SJE	
			1	-	-	-	1006550 LJE	
			-	-	1	-	----- LJE,SJE	
2	31420-ZG3-801ZB	PANEL COMP., CONTROL *NH116M*URBAN SILVER METALLIC	1	-	1	-	----- LHE,LJE,LNE,QAAE,QAE,QBE,QHE,QHE4,QNE,QXE,SBE,SHE,SHE4,SJE,SNE	
			-	(1)	-	(1)	SXE,VA AE,VAE,VBE,VHE,VNE,VXE,WJE	

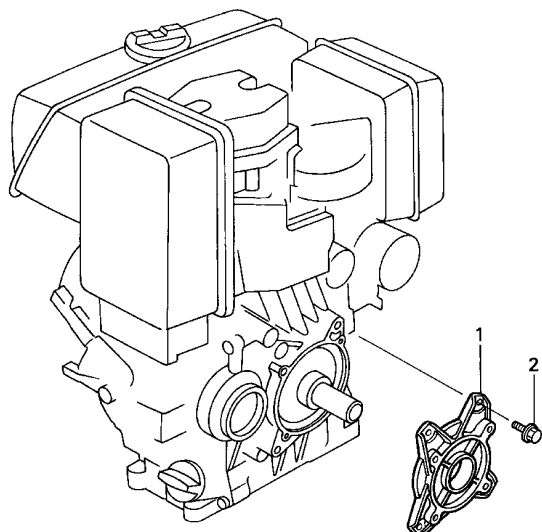




Ref. No.	Part No.	Description	Reqd. QTY				Serial No.	Parts catalogue code
			GD 320 (1)	GD 320 (2)	GD 321 (1)	GD 321 (2)		
3	31612-ZE2-003	CASE, CONTROL	1	-	1	-	LHE,LJE,LNE,QAAE,QAE,QBE,QHE,QHE4,QNE,QXE,SBE,SHE,SHE4,SJE,SNE SXE,VAAE,VAE,VBE,VHE,VNE,VXE,WJE	
4	31614-ZE2-003	BRACKET, CASE MOUNTING	-	(1)	-	(1)	LHE,LJE,LNE,QAAE,QAE,QBE,QHE,QHE4,QNE,QXE,SBE,SHE,SHE4,SJE,SNE SXE,VAAE,VAE,VBE,VHE,VNE,VXE,WJE	
5	31700-ZG3-801	RECTIFIER COMP., SILICON	-	(1)	-	(1)	LHE,LJE,LNE,QAAE,QAE,QBE,QHE,QHE4,QNE,QXE,SBE,SHE,SHE4,SJE,SNE SXE,VAAE,VAE,VBE,VHE,VNE,VXE,WJE	
6	32127-738-700	SUSPENSION, COUPLER	1	-	1	-	LHE,LJE,LNE,QAAE,QAE,QBE,QHE,QHE4,QNE,QXE,SBE,SHE,SHE4,SJE,SNE SXE,VAAE,VAE,VBE,VHE,VNE,VXE,WJE	
7	32150-ZG4-800	HARNESS ASSY., CONTROL WIRE	1	-	1	-	LHE,LJE,LNE,QAAE,QAE,QBE,QHE,QHE4,QNE,QXE,SBE,SHE,SHE4,SJE,SNE SXE,VAAE,VAE,VBE,VHE,VNE,VXE,WJE	
8	32150-ZG3-800 32902-892-003	BAND	-	(1)	-	(1)	LHE,LJE,LNE,QAAE,QAE,QBE,QHE,QHE4,QNE,QXE,SBE,SHE,SHE4,SJE,SNE SXE,VAAE,VAE,VBE,VHE,VNE,VXE,WJE	
9	35100-ZG3-801	SWITCH ASSY., COMBINATION ...	1	-	-	-	QNE,SNE,VNE	
			1	-	-	-	1005086 LHE	
			1	-	-	-	1005107 LJE,QAE,QHE,QXE,SHE,SJE,SXE,VHE,VXE	
			1	-	-	-	1005141 QBE,SBE,VBE	
			-	(1)	-	-	1005107	

Ref. No.	Part No.	Description	Reqd.		QTY		Serial No.	Parts catalogue code	
			GD 320 (1)	GD 320 (2)	GD 321 (1)	GD 321 (2)			
(9)	35100-ZG3-802	SWITCH ASSY., COMBINATION ...	1	-	1	-	-----	LNE,QAAE,QHE4,SHE4,VAAE,VAE,WJE	
			1	-	-	-	1005087	-----	LHE
			1	-	-	-	1005108	-----	LJE,QAE,QHE,QXE,SHE,SJE,SXE,VHE,VXE
			1	-	-	-	1005142	-----	QBE,SBE,VBE
			-	(1)	-	-	1005108	-----	LHE,LJE,QAE,QBE,QHE,QXE,SBE,SHE,SJE,SXE,VBE,VHE,VXE
10	35111-880-003	KEY COMP.	2	-	2	-	-----	LHE,LJE,LNE,QAAE,QAE,QBE,QHE,QHE4,QNE,QXE,SBE,SHE,SHE4,SJE,SNE SXE,VAAE,VAE,VBE,VHE,VNE,VXE,WJE	
			-	(2)	-	(2)			
11	87529-ZG3-800	MARK, CONTROL BOX (INTERNAL)	1	-	1	-	-----	LJE,LNE,SJE,WJE	
			-	(1)	-	(1)			
	87529-ZG3-810	MARK, CONTROL BOX (EXTERNAL)	1	-	1	-	-----	LHE,QAAE,QAE,QBE,QHE,QNE,QXE,SBE,SHE,SNE,SXE,VAAE,VAE,VHE,VNE VXE VBE	
			1	-	-	-	-----	1000400 VBE	
	87529-ZH8-W40	MARK, CONTROL BOX (ENGLISH) -	-	-	1	-	-----	QHE4,SHE4	
			-	-	1	-	-----	1000401 VBE	
12	90380-MA6-010	SCREW, SPECIAL, 6X12	1	-	1	-	-----	LHE,LJE,LNE,QAAE,QAE,QBE,QHE,QHE4,QNE,QXE,SBE,SHE,SHE4,SJE,SNE SXE,VAAE,VAE,VBE,VHE,VNE,VXE,WJE	
			-	(1)	-	(1)			
13	90627-SA5-003	CLIP, WIRE HARNESS (BLUE) (HARNESS TAPING)	-	-	1	-	-----	LHE,LJE,LNE,QAAE,QAE,QBE,QHE,QHE4,QXE,SBE,SHE,SHE4,SJE,SXE VAAE,VAE,VBE,VHE,VXE,WJE	
			-	-	-	(1)			
14	90684-ZA0-601	CLIP, HARNESS	1	-	1	-	-----	LHE,LJE,LNE,QAAE,QAE,QBE,QHE,QHE4,QNE,QXE,SBE,SHE,SHE4,SJE,SNE SXE,VAAE,VAE,VBE,VHE,VNE,VXE,WJE	
			-	(1)	-	(1)			
15	91601-ZG3-801	GROMMET, WIRE HARNESS	1	-	1	-	-----	LHE,LJE,LNE,QAAE,QAE,QBE,QHE,QHE4,QNE,QXE,SBE,SHE,SHE4,SJE,SNE SXE,VAAE,VAE,VBE,VHE,VNE,VXE,WJE	
			-	(1)	-	(1)			
16	93500-06012-0H	SCREW, PAN, 6X12	1	-	1	-	-----	LHE,LJE,LNE,QAAE,QAE,QBE,QHE,QHE4,QNE,QXE,SBE,SHE,SHE4,SJE,SNE SXE,VAAE,VAE,VBE,VHE,VNE,VXE,WJE	
			-	(1)	-	(1)			
17	95701-06016-00	BOLT, FLANGE, 6X16	2	-	2	-	-----	LHE,LHQ4,LJE,LNE,QAAE,QAE,QBE,QHE,QHE4,QNE,QXE,SBE,SHE,SHE4 SJE,SNE,SXE,SXQ4,VAAE,VAE,VBE,VHE,VNE,VXE,WJE	
			-	(2)	-	(2)			
18	98200-31500	FUSE, BLADE (15A)	1	-	1	-	-----	LHE,LJE,LNE,QAAE,QAE,QBE,QHE,QHE4,QNE,QXE,SBE,SHE,SHE4,SJE,SNE SXE,VAAE,VAE,VBE,VHE,VNE,VXE,WJE	
			-	(1)	-	(1)			



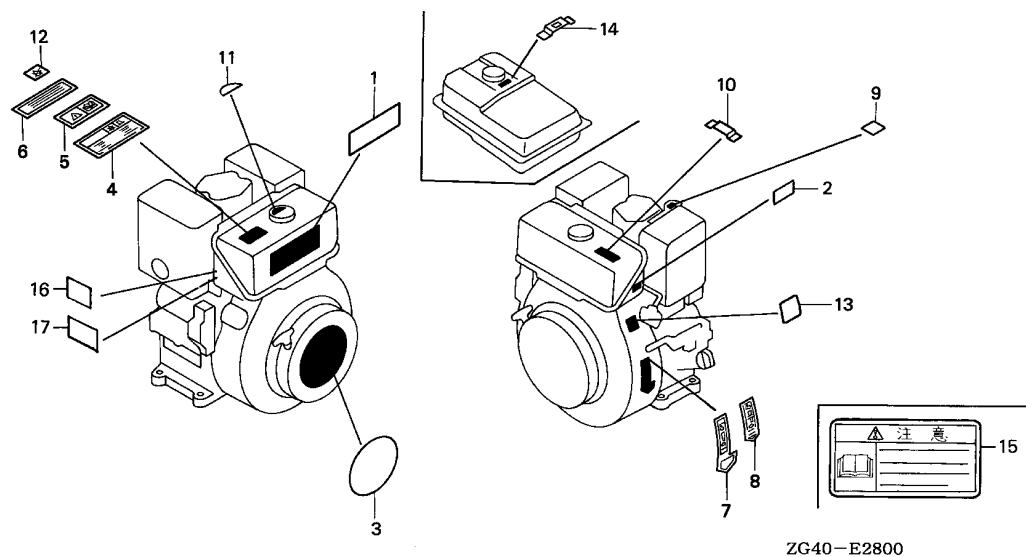


ZG40-E2500A

Service item	F.R.T.
FLANGE, P.T.O.	0.2

2

Ref. No.	Part No.	Description	Reqd. QTY				Serial No.	Parts catalogue code
			GD 320 (1)	GD 320 (2)	GD 321 (1)	GD 321 (2)		
1	11515-ZG4-630	FLANGE, P.T.O.	1	1	1	1	-----	WA,WAA,WH,WJ,WJE,WX,W1
2	95701-10030-00	BOLT, FLANGE, 10X30	4	4	4	4	-----	WA,WAA,WH,WJ,WJE,WX,W1

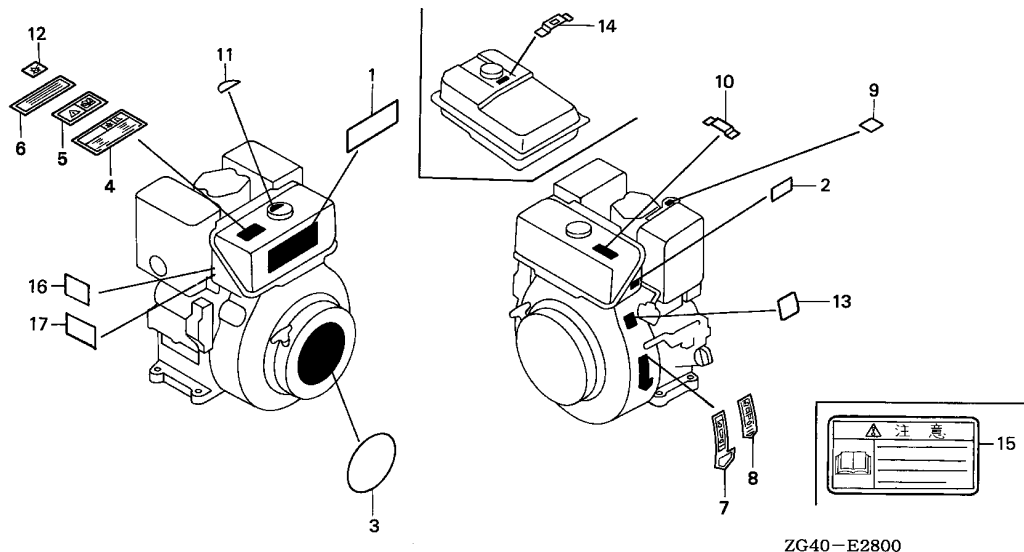


Service item F.R.T.
NOT INFORMATION

ZG40-E2800

Ref. No.	Part No.	Description	Reqd. QTY				Serial No.	Parts catalogue code
			GD 320 (1)	GD 320 (2)	GD 321 (1)	GD 321 (2)		
1	87101-ZG4-000	EMBLEM (GD320)	1	-	-	-	LH,LHE,LJ,LJE,LNE,PAA,QA,QAA,QAAE,QAE,QB,QBE,QH,QHE,QN,QNE,QX,QXE,SB,SBE,SH,SHE,SJ,SJE,SN,SNE,SX,SXE,VA,VAA,VAAE,VAE,VB,VBE,VH,VHE,VN,VNE,VX,VXE,WA,WAA,WH,WJ,WJE,WX	
	87101-ZJ8-000	EMBLEM (GD321)	-	(1)	-	-	LH,LHE,LHQ4,LJ,LJE,LNE,PAA,QA,QAA,QAAE,QAE,QB,QBE,QH,QHE,QHE4,QX,QXE,SB,SBE,SH,SHE,SHE4,SJ,SJE,SX,SXE,SXQ4,VA,VAA,VAAE,VAE,VB,VBE,VGB,VH,VHE,VX,VXE,WA,WAA,WH,WJ,WJE,WX	
2	87152-ZJ8-000	LABEL, SPECIFICATION (EXP-3600RPM)	-	-	-	(1)	E1,PAA,QA,QAA,QAAE,QAE,QH,QHE,QHE4,QX,QXE,Q1,SH,SHE,SHE4,SX,SXE,SXQ4,S1,VA,VAA,VAAE,VAE,VH,VHE,VX,VXE,V1,WA,WAA,WH,WX,W1	
	87152-ZJ8-810	LABEL, SPECIFICATION	-	-	1	(1)	LH,LHE,LHQ4,L1	
	87152-ZJ8-830	LABEL, SPECIFICATION (EEC) ..	-	-	1	-	QB,QBE,SB,SBE,VB,VBE,VGB	
	87152-ZJ8-840	LABEL, SPECIFICATION (EXP-3000RPM)	-	-	-	(1)	E1,Q1,S1,V1,W1	
3	87521-ZG3-000	PLATE, EMBLEM	1	-	1	-	LH,LHE,LHQ4,LJ,LJE,LNE,PAA,QA,QAA,QAAE,QAE,QB,QBE,QH,QHE,QHE4,QN,QNE,QX,QXE,SB,SBE,SH,SHE,SHE4,SJ,SJE,SN,SNE,SX,SXE,SXQ4,VA,VAA,VAAE,VAE,VB,VBE,VGB,VH,VHE,VN,VNE,VX,VXE,WA,WAA,WH,WJ,WJE,WX	
4	87522-ZG4-800	LABEL, CAUTION	-	(1)	-	(1)	E1,PAA,QA,QAA,QAAE,QAE,QH,QHE,QX,QXE,SH,SHE,SX,SXE,VA,VAA,VAAE,VAE,VH,VHE,VX,VXE,WA,WAA,WH,WX	
	87522-ZG4-810	LABEL, CAUTION (JAPANESE/ENGLISH)	-	(1)	-	-	Q1,S1,V1,W1	
	87522-ZG4-820	LABEL, CAUTION	1	-	1	-	LJ,LJE,LNE	
	87522-ZG4-830	LABEL, CAUTION (EEC)	1	(1)	-	(1)	LH,LHE,L1	
	87522-ZG4-840	LABEL, CAUTION (JAPANESE/ENGLISH)	1	-	-	-	QB,QBE,QN,QNE,SB,SBE,SN,SNE,VB,VBE,VN,VNE	
			-	(1)	-	(1)	E1,Q1,S1,V1,W1	

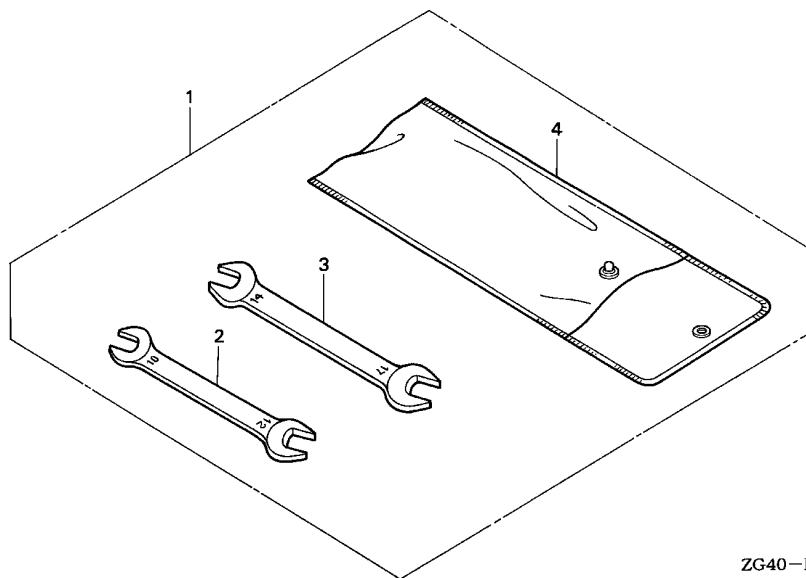




ZG40-E2800

Ref. No.	Part No.	Description	Reqd. QTY				Serial No.	Parts catalogue code
			GD 320 (1)	GD 320 (2)	GD 321 (1)	GD 321 (2)		
(4)	87522-ZG4-850	LABEL, CAUTION	-	(1)	-	(1)	----- E1	
	87522-ZG4-000	LABEL, CAUTION (JAPANESE/ENGLISH)	-	(1)	-	-	----- Q1,S1,V1,W1	
5	87522-ZH8-W40	MARK, CAUTION	-	-	1	-	----- LHQ4,QHE4,SHE4,SXQ4	
6	87522-ZH9-000	LABEL, CAUTION	-	-	1	(1)	----- E1,L1,QB,QBE,Q1,SB,SBE,S1,VB,VBE,VGB,W1	
	87522-ZH9-010	-	-	1	(1)	----- LH,LHE,PAA,QA,QAA,QAAE,QAE,QH,QHE,QX,QXE,SH,SHE,SX,SXE,VA,VAA,VAAE,VAE,VH,VHE,VX,VXE,V1,WA,WAA,WH,WX	
7	87532-ZG3-800	MARK, THROTTLE (ENGLISH)	1	-	1	-	----- LH,LHE,PAA,QA,QAA,QAAE,QAE,QB,QBE,QH,QHE,QN,QNE,QX,QXE,SB,SBE,SH,SHE,SN,SNE,SX,SXE,VA,VAA,VAAE,VAE,VH,VHE,VN,VNE,VX,VXE,WA,WAA,WH,WX	
			-	(1)	-	(1)	----- VB,VBE	
	87532-ZG3-W40	-	-	1	-	1000400 VB,VBE,VGB	
			-	-	1	-	LHQ4,QHE4,SHE4,SXQ4	
	87532-ZG3-000	MARK, THROTTLE (JAPANESE) ...	1	-	1	-	1000401 VB,VBE,VGB	
8	87532-ZG3-820	MARK, THROTTLE (1-LEVER) (ENGLISH)	-	(1)	-	-	1005565 Q1,S1,V1,W1	
			-	(1)	-	-	1005565 Q1,S1,V1,W1	
	87532-ZG3-811	1	-	1	-	LNE	
	87532-ZG3-821	MARK, THROTTLE (1-LEVER) (ENGLISH)	-	(1)	-	-	1005566 E1,L1	
			-	(1)	-	-	1005566 Q1,S1,V1,W1	
			-	-	-	(1)		
9	87532-ZJ7-870	MARK, OIL (ALERT)	-	-	-	(1)		

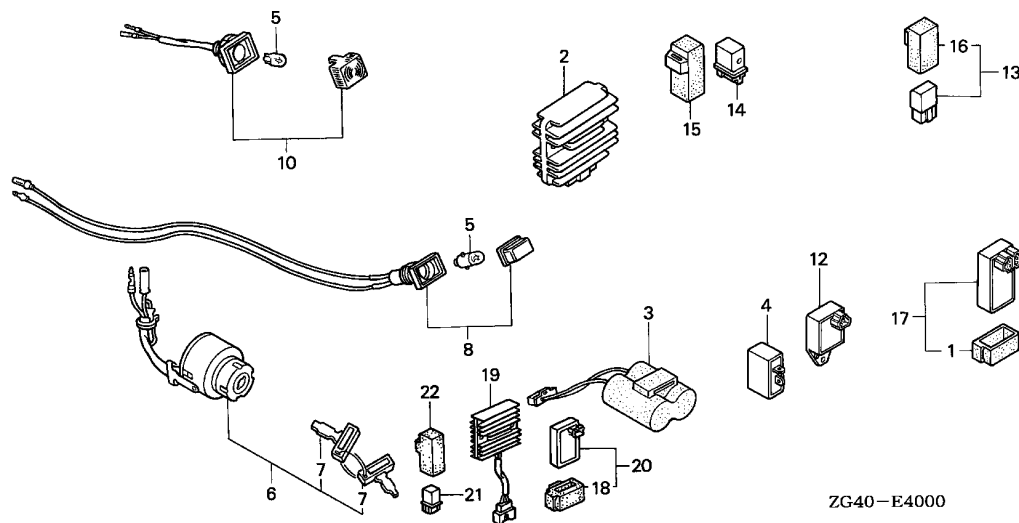
Ref. No.	Part No.	Description	Reqd. QTY				Serial No.	Parts catalogue code
			GD 320 (1)	GD 320 (2)	GD 321 (1)	GD 321 (2)		
10	87565-ZE2-A01	MARK, FUEL (INTERNAL)	-	-	1	-	SXQ4	
	87565-ZG3-810	MARK, FUEL (EXTERNAL)	1	-	1	-	PAA,QAA,QAAE,QX,QXE,SX,SXE,VA,VAA,VAE,VAE,VGB,VX,VXE,WA,WAA WX	
			1	-	-	1005010	QA,QAE	
			-	(1)	-	(1)		
	87565-YD6-000	MARK, FUEL	-	(1)	-	(1)	QA,QAE	
	87565-ZG3-800	MARK, FUEL (JAPANESE)	1	-	1	-	L1,Q1,S1,V1 LNE	
11	87592-ZG3-800	MARK, USE FUEL (ENGLISH)	1	(1)	1	-	E1,LH,LHE,LHQ4,L1,PAA,QAA,QAAE,QB,QBE,QHE4,QN,QNE,SB,SBE,SHE4 SN,SNE,SXQ4,VA,VAA,VAE,VAE,VB,VBE,VGB,VN,VNE,WA,WAA	
			1	(1)	-	-	1001170	QA,QAE,QH,QHE,QX,QXE,Q1,SH,SHE,SX,SXE,S1,VH,VHE,VX,VXE,V1,WH WX,W1
			-	-	1	-	QA,QAE,QH,QHE,QX,QXE,SH,SHE,SX,SXE,VH,VHE,VX,VXE,WH,WX	
			-	-	(1)			
	87592-ZG3-000	MARK, USE FUEL (JAPANESE) ...	1	-	1	-	LJ,LJE,LNE,WJE	
			1	-	-	1000143	SJ,SJE,WJ	
			-	-	1	-	SJ,SJE,WJ	
12	87592-737-610	LABEL, FIRE CAUTION	-	-	1	-	LH,LHE,PAA,QA,QAA,QAAE,QA,QB,QBE,QH,QHE,QX,QXE,SB,SBE,SH,SHE SX,SXE,VA,VAA,VAE,VAE,VB,VBE,VGB,VH,VHE,VX,VXE,WA,WAA,WH,WX	
			-	-	-	(1)		
13	87594-ZG3-800	MARK, OIL CAUTION (ENGLISH) -	1	-	1	-	LH,LHE,LHQ4,PAA,QA,QAA,QAAE,QA,QB,QBE,QH,QHE,QHE4,QN,QNE,QX QXE,SB,SBE,SH,SHE,SHE4,SN,SNE,STE,SX,SXE,SXQ4,VA,VAA,VAE,VAE VB,VBE,VGB,VH,VHE,VN,VNE,VX,VXE,WA,WAA,WH,WX	
			-	(1)	-	(1)		
	87594-ZG3-000	MARK, OIL CAUTION (JAPANESE)	1	-	1	-	LJ,LJE,LNE,SJ,SJE,WJ,WJE	
14	87565-YD6-000	MARK, FUEL	-	(1)	-	-	E1,W1	
15	87150-ZH8-000	MARK, CAUTION (JAPANESE)	-	-	1	-	LJ,LJE,LNE,SJ	
16	87539-737-J00	MARK, HEAT CAUTION	-	-	1	-	LNE	
17	87561-733-J00	MARK, EX. GAS WARNING	-	-	1	-	LNE	



ZG40-E2900

Service item F.R.T.
NOT INFORMATION

Ref. No.	Part No.	Description	Reqd. QTY				Serial No.	Parts catalogue code
			GD 320	GD 320	GD 321	GD 321		
1	89000-ZG3-000	TOOL KIT	-	(1)	-	(1)		
2	99001-10120	SPANNER, 10X12	-	(1)	-	(1)		
3	99001-14170	SPANNER, 14X17	-	(1)	-	(1)		
4	99008-02000	BAG, TOOL, 200MM	-	(1)	-	(1)		

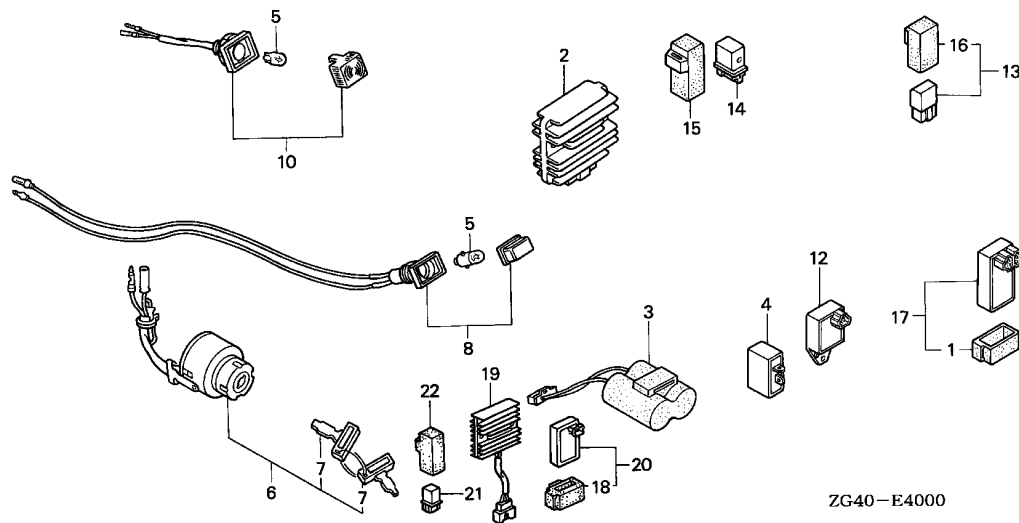


ZG40-E4000

Service item	F.R.T.
RELAY COMP., STARTER	0.1
ALERT UNIT, OIL	0.2
.BULB, WEDGE BASE	
.CONDENSER UNIT	
.CONTROL UNIT, HEATER	
.RECTIFIER, SILICON	
.RELAY ASSY., POWER	
.SOCKET ASSY., LAMP	
.SWITCH ASSY., COMBINATION	
RECTIFIER ASSY., REGULATOR ...	0.3

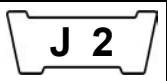
Ref. No.	Part No.	Description	Reqd. QTY				Serial No.	Parts catalogue code
			GD 320 (1)	GD 320 (2)	GD 321 (1)	GD 321 (2)		
1	30401-VM0-000	CUSHION, C.D.I. UNIT	-	(1)	-	-	L1,Q1,S1,V1,W1	
2	31600-ZE2-861	RECTIFIER ASSY., REGULATOR (10A)	-	(1)	-	(1)		
3	31700-KZ9-000	CONDENSER UNIT	-	(1)	-	(1)	L1,Q1,S1,V1,W1	
4	31710-371-008	RECTIFIER, SILICON (SHINDENGEN)	-	(1)	-	(1)		
5	34908-GE0-701	BULB, WEDGE BASE (12V/2W) ...	-	(2)	-	(2)	L1,Q1,S1,V1,W1	
6	35100-ZG3-801 35100-ZG3-802	SWITCH ASSY., COMBINATION ...	-	(1)	-	(1)	1005107 1005108	
7	35111-880-003	KEY COMP.	-	(2)	-	(2)	L1,Q1,S1,V1,W1	
8	37570-ZA0-801	SOCKET ASSY., LAMP (RED)	-	(1)	-	(1)	L1,Q1,S1,V1,W1	
10	37580-ZG5-801	SOCKET ASSY., LAMP (ORANGE) .	-	(1)	-	(1)	L1,Q1,S1,V1,W1	
12	38420-ZG3-611	CONTROL UNIT, HEATER	-	(1)	-	(1)	L1,Q1,S1,V1,W1	
13	38500-766-003	RELAY ASSY., POWER (5P)	-	(1)	-	(1)	L1,Q1,S1,V1,W1	
14	38501-KG8-004	RELAY COMP., STARTER (OMRON)	-	(1)	-	(1)	L1,Q1,S1,V1,W1	





Ref. No.	Part No.	Description	Reqd. QTY				Serial No.	Parts catalogue code
			GD 320 (1)	GD 320 (2)	GD 321 (1)	GD 321 (2)		
15	38506-KG8-004	SUSPENSION, STARTER RELAY (OMRON)	-	(1)	-	-	-----	L1,Q1,S1,V1,W1
16	38506-766-003	SUSPENSION, RELAY	-	(1)	-	-	-----	L1,Q1,S1,V1,W1
17	38520-ZG3-611	ALERT UNIT, OIL	-	(1)	-	-	-----	L1,Q1,S1,V1,W1
18	30401-VM0-000	CUSHION, C.D.I. UNIT	1	-	1	-	-----	STE
19	31620-ZG5-003	RECTIFIER ASSY., REGULATOR (20A)	1	-	1	-	-----	STE
20	34720-ZG4-911	CONTROL ASSY., SOLENOID	1	-	1	-	-----	STE
21	38501-KG8-004	RELAY COMP., STARTER (OMRON)	1	-	1	-	-----	STE
22	38506-KG8-004	SUSPENSION, STARTER RELAY (OMRON)	1	-	1	-	-----	STE

PART NO. INDEX



Part Number	Address	Page	Ref.	Part Number	Address	Page	Ref.	Part Number	Address	Page	Ref.	Part Number	Address	Page	Ref.	Part Number	Address	Page	Ref.
17210-ZG3-801	E15	50	1	18321-ZG3-880	F3	54	18	28410-ZG3-611ZA	E7	42	2	31101-ZG4-000	G6	73	6	31252-PD2-006	G11	78	15
17220-ZG3-003	E15	50	2		F4	55	4	28410-ZG3-612	E7	42	2	31101-ZG4-610	G6	73	6	31400-ZG3-812ZA	H8	91	1
17220-ZJ7-870	E15	50	2	18323-ZG3-800	F1	52	4	28414-ZG4-911	E7	42	3	31101-ZG4-880	G6	73	6	31400-ZG4-801ZA	H8	91	1
17228-ZG3-000	E15	50	3	18325-ZG3-003	F1	52	5	28420-ZE8-811	E7	42	4	31101-ZJ8-000	G6	73	6	31400-ZG4-802ZA	H8	91	1
17228-ZG3-800	E15	50	3	18325-ZG3-800	F1	52	5	28420-ZE8-812	E7	42	4	31101-ZJ8-610	G6	73	6	31400-ZG4-811ZA	H8	91	1
	H6	89	10	18325-ZG3-811	F4	55	5	28420-ZG3-611	E7	42	4	31101-ZJ8-880	G6	73	6	31400-ZG4-812ZA	H8	91	1
17230-ZG3-000	E15	50	4	18325-ZG3-880	F1	52	5	28420-ZG3-612	E7	42	4	31120-ZG3-901	G6	73	10	31400-ZG4-W41ZA	H8	91	1
17232-ZG3-003	E15	50	5		F4	55	5	28422-ZG3-003	E7	42	5	31120-ZG4-911	G6	73	10	31420-ZG3-801ZB	H8	91	2
17315-PN3-000	H6	89	11	18331-ZG3-000	F1	52	6	28422-ZG3-004	E8	43	5	31130-ZG3-901	G6	73	11	31511-ZG3-800	G6	73	7
17406-ZG3-000	E16	51	6		F2	53	6	28423-ZG3-003	E8	43	6	31130-ZG4-911	G6	73	11	31512-ZE8-000	G6	73	8
17471-ZG3-000	E16	51	7		F4	55	6	28423-ZG3-004	E8	43	6	31200-ZG4-611	G8	75	9	31512-ZG3-000	G6	73	9
17471-ZG3-880	E16	51	7	18331-ZG3-800	F1	52	6	28424-ZE1-711	E8	43	7	31202-POC-004	G12	79	1	31600-ZE2-861	H16	99	2
17476-ZG3-003	E16	51	8	18333-ZG3-000	F2	53	7	28424-ZE1-712	E8	43	7	31202-PC2-681	G10	77	1	31601-ZG3-611	G6	73	10
17505-ZB2-003	F12	63	3		F4	55	7	28431-ZG3-003	E8	43	8	31203-PN4-003	G7	74	3	31601-ZG3-801	G6	73	10
17505-ZG3-801	F7	58	9	18333-ZG3-800	F2	53	7	28431-ZG3-004	E8	43	8	31204-P8A-A01	G12	79	2	31610-ZG3-801	G6	73	11
17510-YD6-000	F12	63	4		F4	55	7	28432-ZG0-003	E8	43	9	31204-ZG3-801	G10	77	2	31610-ZG3-E01	G6	73	11
17510-ZG3-000ZA	F7	58	10	18355-ZG3-000	F2	53	8	28432-ZG0-004	E9	44	9	31204-ZG3-802	G10	77	2	31612-ZE2-003	H9	92	3
17510-ZG3-000ZB	F7	58	10	18371-GS9-000	F4	55	8	28434-ZE8-811	E9	44	10	31204-ZG4-801	G7	74	4	31614-ZE2-003	H9	92	4
17510-ZG3-800ZA	F7	58	10	18381-ZG3-000	F2	53	9	28434-ZE8-812	E9	44	10	31205-ZG3-801	G10	77	3	31620-ZG5-003	I1	100	19
	F8	59	10		F4	55	9	28434-ZG3-611	E9	44	10	31206-PH7-006	G10	77	4	31700-KZ9-000	H16	99	3
17510-ZG3-800ZB	F7	58	10	18381-ZG3-800	F2	53	9	28434-ZG3-612	E9	44	10	31206-PH9-004	G7	74	5	31700-ZG3-801	H9	92	5
17510-ZG3-880ZA	F8	59	11		F4	55	9	28441-ZG3-003	E9	44	11	31206-ZG4-801	G7	74	5	31710-371-008	H16	99	4
17515-ZG3-880	F8	59	12	18431-ZG3-800	F2	53	10	28441-ZG3-004	E10	45	11	31207-PAA-A02	G12	79	3				
17535-ZG3-000	F8	59	13	18431-ZG3-810	F2	53	11	28442-ZE1-711	E10	45	12	31207-PH3-953	G10	77	5	32000			
17535-ZG3-800	F8	59	14	18463-ZG3-880	F4	55	10	28442-ZE1-713	E10	45	12	31207-PH3-954	G10	77	5				
17546-ZG3-800	F8	59	15	18464-ZG3-880	F4	55	11	28449-ZG3-003	E10	45	13	31207-ZG4-611	G7	74	6	32127-738-700	H9	92	6
17547-ZG3-800	F8	59	16	18545-ZG3-920	F4	55	12	28449-ZG3-004	E10	45	13	31207-ZG4-801	G7	74	6	32150-ZG3-800	H9	92	7
17548-ZG3-800	F8	59	17	18547-ZG3-000	F5	56	13	28449-ZG3-611	E10	45	13	31208-P8A-A01	G12	79	4	32150-ZG4-800	H9	92	7
17560-ZG3-000	F8	59	18					28449-ZG3-612	E10	45	13	31208-PH7-006	G10	77	6	32902-892-003	H9	92	8
17560-ZG3-800	F8	59	19	19000				28451-ZG4-000	G5	72	4	31208-ZG4-801	G7	74	7	32925-958-000	D1	20	11
17560-ZJ7-880	F8	59	19					28451-ZG4-004	G5	72	4	31209-PH7-006	G10	77	7				
17620-ZG3-003	F8	59	20	19510-ZG4-610	G5	72	1	28451-ZG4-610	G5	72	4	31210-PH9-004	G8	75	8	34000			
	F12	63	5	19511-ZG3-610	G6	73	20	28451-ZG4-612	G5	72	4	31210-ZG3-801	G10	77	8				
17620-ZG3-801	F8	59	21	19511-ZG4-000	G5	72	2	28461-ZE8-811	E10	45	14	31210-ZG3-802	G10	77	8	34720-ZG4-911	I1	100	20
	F12	63	6	19512-ZG4-610	G5	72	3	28461-ZG3-004	E10	45	15	31210-ZG3-803	G12	79	5	34908-GE0-701	H16	99	5
17631-329-003	F8	59	22	19516-MB6-000	F5	56	14	28462-ZG3-003	E10	45	16	31210-ZG4-801	G8	75	9				
	F12	63	7	19610-ZG4-000ZA	E13	48	2	28462-ZG3-004	E11	46	16	31210-ZG4-802	G8	75	9	35000			
17670-ZG3-003	F8	59	23	19610-ZG4-610ZA	E13	48	2	28467-ZG3-880	E11	46	17	31211-PC2-006	G10	77	9				
17670-ZG3-013	F8	59	23	19610-ZG4-880ZA	E13	48	3	28469-ZE2-W01	E11	46	18	31211-PH9-004	G8	75	10	35100-ZG3-801	H9	92	9
	F12	63	8	19610-ZG4-910ZA	E13	48	3					31212-PH9-004	G8	75	11	H16	99	6	
17670-ZG3-901	F14	65	4	19621-ZG3-880	E13	48	4	30000				31213-679-004	G8	75	12	35100-ZG3-802	H10	93	9
17682-ZG3-003	F9	60	24	19628-ZG3-880	E13	48	5					31214-PH9-004	G8	75	13	H16	99	6	
	F12	63	9	19631-ZG4-000	E13	48	6	30201-PH9-004	G7	74	1	31217-PC2-006	G10	77	10	35111-880-003	H10	93	10
17687-ZG3-003	F9	60	25	19632-ZG4-000	E13	48	7	30202-PH9-004	G7	74	2		G12	79	6	H16	99	7	
17687-ZG3-013	F9	60	25	19632-ZG4-800	E13	48	7	30202-PZ1-003	G7	74	2	31218-ZG4-801	G8	75	14	35418-ZG3-610	D7	26	15
	F12	63	10	19690-ZG3-010ZA	E13	48	8	30401-VMO-000	H16	99	1	31219-ZG4-801	G8	75	15	35480-ZG3-611	D7	26	16
				19690-ZG3-800ZA	E14	49	9					31220-PH9-004	G8	75	16				
				19696-ZG3-000	E14	49	10					31221-PH9-004	G8	75	17				
18000								31000				31223-PA0-006	G8	75	18				
18291-MN5-650	F1	52	1	28000				31100-ZG4-800	G5	72	5	31229-PH7-016	G10	77	11	36138-PA0-004	H6	89	12
18310-ZG3-003	F1	52	2					31100-ZG4-801	G5	72	5	31229-PH7-026	G10	77	11	36170-ZG3-611	H5	88	1
18310-ZG3-801	F4	55	1	28400-ZG3-003ZA	E6	41	1	31100-ZG4-830	G5	72	5	31230-ZG3-801	G10	77	12	36260-ZG4-911	G16	83	31
18310-ZG3-802	F4	55	2	28400-ZG3-004ZA	E6	41	1	31100-ZG4-890	G6	73	5	31231-PH9-004	G8	75	19	36261-ZG4-910	G16	83	32
18310-ZG3-920	F4	55	2	28400-ZG3-611ZA	E6	41	1	31100-ZG4-910	G5	72	5	31235-PH9-004	G8	75	20				
18310-ZJ7-870	F3	54	17	28400-ZG3-612ZA	E6	41	1	31100-ZG4-911	G5	72	5	31235-PD2-016	G11	78	13	37000			
	F4	55	3	28400-ZG3-881ZA	E6	41	1	31100-ZJ8-800	G6	73	5	31235-ZA0-981	G12	79	7				
18321-ZG3-003	F1	52	3	28400-ZG3-882ZA	E6	41	1	31100-ZJ8-830	G5	72	5	31235-ZG4-801	G8	75	21	37240-ZG5-004	D7	26	17
18321-ZG3-800	F1	52	3	28410-ZG3-003ZA	E6	41	2	31100-ZJ8-830	G5	72	5	31240-ZG3-801	G12	79	8	37570-ZA0-801	H16	99	8
18321-ZG3-811	F4	55	4	28410-ZG3-004ZA	E7	42	2	31100-ZJ8-890	G6	73	5	31251-PD2-026	G11	78	14	37580-ZG5-801	H16	99	10



PART NO. INDEX

J 3

Part Number				Address Page Ref.				Part Number				Address Page Ref.				Part Number				Address Page Ref.				Part Number				Address Page Ref.			
38000				87561-733-J00	H14	97	17	90380-MA6-010	H10	93	12	91002-ZG3-003	E5	40	25	94000															
				87565-YD6-000	H14	97	10	90401-ZG3-000	G6	73	13	91002-ZG4-801	G8	75	22	94001-06000-0S	H2		85	49											
38420-ZG3-611	H16	99	12	87565-ZE2-A01	H14	97	10	90401-ZJ7-871	H6	89	18	91003-ZG4-000	D8	27	23	94001-06280-0S	H2		85	50											
38500-766-003	H16	99	13	87565-ZG3-800	H14	97	10	90402-ZG3-880	G2	69	27		D14	33	17	94001-08200-0S	G8		75	23											
38501-KG8-004	H16	99	14	87565-ZG3-810	H14	97	10	90403-ZG3-000	G2	69	28	91004-ZG3-610	E5	40	26	94002-06080-0S	H4		87	63											
	I1	100	21	87592-737-610	H14	97	12	90404-ZG3-000	D3	22	5	91006-ZG3-000	D14	33	14	94002-08080-0S	G11		78	17											
38506-766-003	I1	100	16	87592-ZG3-000	H14	97	11	90405-ZG3-000	H2	85	41		E5	40	27		G12		79	10											
38506-KG8-004	I1	100	15	87592-ZG3-800	H14	97	11	90406-KF0-003	H2	85	42	91007-ZG4-003	D14	33	15	94050-06000	G4		71	33											
				87594-ZG3-000	H14	97	13	90407-ZG3-000	F9	60	27	91008-ZG4-003	D14	33	16	94050-08000	F3		54	14											
38520-ZG3-611	I1	100	17	87594-ZG3-800	H14	97	13	90407-ZG3-010	F10	61	27	91024-KG4-004	H2	85	45		F5		56	16											
38750-ZG3-611	E16	51	9					90418-ZG3-000	G2	69	29	91201-ZE3-004	D8	27	24	94050-08020	F3		54	15											
38756-ZG3-610	E16	51	10	89000				90425-ZG5-000	H4	87	61	91201-ZE9-003	D8	27	22		F5		56	17											
38757-ZG3-610	E16	51	11					90426-ZG3-000	H2	85	43			25		94050-10000	D3		22	8											
38776-671-000	H6	89	13	89000-ZG3-000	H15	98	1	90443-ZG3-000	D12	31	9	91201-ZG4-000	D8	27	26		D9		28	33											
								90448-KE1-000	E5	40	23	91201-ZG4-003	D8	27	26		D9		28	33											
								90451-ZG3-000	G3	70	31	91202-ZG4-000	D8	27	27	94102-08000	H3		86	51											
51000				90000				90452-ZG3-000	G3	70	31	91202-ZG4-003	D8	27	27	94103-06000	F10		61	30											
51866-SA5-801	D1	20	12					90453-ZG3-000	G3	70	31	91204-ZG3-000	D8	27	28	94103-06800	G6		73	16											
				90002-ZG3-000	F2	53	12	90454-ZG3-000	G4	71	31	91204-ZG3-003	D8	27	28	94109-14000	D9		28	34											
					F5	56	15	90455-ZG3-880	G3	70	30	91301-812-000	D8	27	29	94111-08000	G9		76	24											
53000				90003-ZE3-600	D13	32	10	90460-ZG3-003	G4	71	32	91301-ZG3-000	D12	31	10	94111-08800	G11		78	18											
53133-KR1-760	H6	89	14	90003-ZG0-003	E11	46	19	90461-ZG3-003	G4	71	32	91352-SA5-952	H4	87	62		G12		79	11											
				90003-ZG3-004	E12	47	19	90462-ZG3-003	G4	71	32	91353-671-004	D8	27	30	94201-16080	H3		86	52											
				90005-896-000	H6	89	16	90463-ZG3-003	G4	71	32	91405-MG1-000	D8	27	31	94201-25150	H3		86	53											
84000				90005-ZG3-003	D7	26	18	90464-ZG3-003	G4	71	32	91410-679-000	H6	89	20	94301-06100	D2		21	14											
84705-310-000	H6	89	15	90007-ZG3-000	G16	83	33	90465-ZG3-003	G4	71	32	91413-679-000	E14	49	17	94301-08140	H3		86	54											
				90009-ZG3-000	D2	21	13	90466-ZG3-003	G4	71	32	91501-ZG3-003	E12	47	21	94301-10160	D9		28	35											
				90010-ZG3-000	G16	83	34	90467-ZG3-003	G4	71	32	91501-ZG3-004	E12	47	21	94301-12200	D3		22	9											
				90011-ZG0-000	E12	47	20	90468-ZG3-003	G4	71	32	91501-ZJ7-871	H6	89	21	94510-16000	E5		40	29											
87101-ZG4-000	H12	95	1	90011-ZG3-000	D12	31	11	90469-ZG3-003	G4	71	32	91552-898-000	F12	63	15	94520-12000	D9		28	36											
87101-ZJ8-000	H12	95	1	90012-ZG3-000	E5	40	21	90470-ZG3-003	G4	71	32	91552-ZG4-010	E14	49	18	94540-03010	H3		86	55											
87150-ZH8-000	H14	97	15	90013-883-000	D9	28	38	90471-VB4-000	D14	33	11	91553-ZG3-010	E14	49	19	94540-05010	H3		86	56											
87152-ZJ8-000	H12	95	2						E5	40	24	91601-ZG3-801	H10	93	15																
87152-ZJ8-810	H12	95	2	90015-ZG3-000	G6	73	19	90471-ZE3-000	D14	33	11					95000															
87152-ZJ8-830	H12	95	2	90020-ZG3-003	D7	26	19	90471-ZG3-003	G4	71	32	92000																			
87152-ZJ8-840	H12	95	2	90021-ZG3-003	F9	60	26	90472-ZG3-003	G4	71	32	92000-08025-0A	D13	32	10	95001-35025-40	H6		89	22											
87521-ZG3-000	H12	95	3					90473-ZG3-003	G4	71	32	92101-08025-0A	D13	32	10	95001-45090-40	H7		90	23											
87522-ZG4-000	H13	96	4	90025-ZG3-000	G2	69	23	90501-425-000	F10	61	28	92101-10025-0A	D13	32	10	95001-45094-40	F14		65	5											
87522-ZG4-800	H12	95	4	90025-ZG3-900	G2	69	24	90506-500-000	F12	63	13			32	10	95001-45090-40	F14		65	6											
87522-ZG4-810	H12	95	4	90027-ZG3-000	G2	69	25	90534-706-010	D14	33	11	92301-06020-0A	H2	85	46	95001-45100-40	F10		61	31											
87522-ZG4-820	H12	95	4	90045-ZG3-000	G16	83	35	90601-KA5-000	E2	37	8	92800-14000	D9	28	32	95001-45110-40	F14		65	7											
87522-ZG4-830	H12	95	4	90045-ZJ7-930	G16	83	35	90627-SA5-003	H10	93	13	92900-06032-3B	D3	22	6	95001-45150-40	F12		63	17											
87522-ZG4-840	H12	95	4	90102-ZG3-000	G16	83	36	90684-ZA0-601	H10	93	14	92900-08028-0B	D3	22	7	95001-45200-40	F12		63	18											
87522-ZG4-850	H13	96	4					90684-ZV4-003	H6	89	19					95001-45280-40	F14		65	8											
87522-ZH8-W40	H13	96	5	90102-ZJ7-000	G16	83	36	90715-PC6-000	D7	26	20					95001-45450-40	F12		63	19											
87522-ZH9-000	H13	96	6	90102-ZJ7-010	H1	84	36	90741-805-000	D14	33	12	93000																			
87522-ZH9-010	H13	96	6	90136-428-870	H1	84	37	90741-889-810	D14	33	12	93500-04008-0A	H2	85	47	95001-45620-40	F12		63	20											
87529-ZG3-800	H10	93	11	90142-MB0-000	E16	51	12	90741-ZG3-000	G6	73	14	93500-05008-00	F2	53	13	95001-45950-40	F14		65	9											
87529-ZG3-810	H10	93	11	90161-744-000	G2	69	26	90745-ZE2-600	D14	33	12	93500-05008-0B	F2	53	13	95001-55080-20	F14		65	10											
87529-ZH8-W40	H10	93	11	90201-ZG3-000	G6	73	12	90751-ZG3-300	H2	85	44	93500-06008-0A	D2	21	13	95001-55150-20	F14		65	11											
87532-ZG3-000	H13	96	7	90203-679-000	H1	84	38	90805-ZG4-610	D7	26	21	93600-05010-0A	F10	61	29	95001-55180-20	F14		65	12											
87532-ZG3-800	H13	96	7	90203-PB2-000	E16	51	13	90805-ZG4-611	D8	27	21	93600-05012-0A	F12	63	16	95001-75170-20	F14		65	13											
87532-ZG3-810	H13	96	8	90205-ZJ7-000	H1	84	39	90805-ZG4-611	D8	27	21	93600-06012-0H	H10	93	16	95001-75250-40	D2		21	15											
87532-ZG3-811	H13	96	8	90205-ZJ7-010	H1	84	39	90851-ZG3-000	D8	27	22	93600-06016-0A	D12	31	11	95001-75400-40	D2		21	15											
87532-ZG3-820	H13	96	8	90205-ZJ7-930	H1	84	39	90852-898-000	F12	63	14	93600-06012-0A	G6	73	15	95001-80090-40	F10		61	32											
87532-ZG3-821	H13	96	8	90206-001-000	E5	40	22	908																							

PART NO. INDEX

J 4

Part Number	Address	Page	Ref.	Part Number	Address	Page	Ref.	Part Number	Address	Page	Ref.	Part Number	Address	Page	Ref.
95002-02130	F13	64	23	96000											
	F15	66	17												
95002-40800-08	F10	61	33	96100-62043-00	E5	40	31								
	F13	64	22	96211-06000	G2	69	22								
	F14	65	14	96220-30134	D12	31	13								
95002-40850-08	F14	65	15												
95002-41050-08	F14	65	16	98000											
95002-41200-08	D2	21	16												
95002-41250-08	F10	61	34	98200-31500	H10	93	18								
	F13	64	23												
	F15	66	17	99000											
95002-41300-08	H7	90	25												
95005-70430-30	D2	21	17	99001-10120	H15	98	2								
95701-06012-00	E14	49	20	99001-14170	H15	98	3								
			21	99008-02000	H15	98	4								
	F11	62	35												
	F13	64	24												
	G6	73	17												
95701-06012-08	D9	28	37												
	H7	90	26												
95701-06014-00	F11	62	36												
95701-06014-08	D9	28	38												
95701-06016-00	D9	28	39												
	D12	31	12												
	H3	86	57												
	H10	93	17												
95701-06018-08	G6	73	18												
95701-06020-00	E14	49	21												
	F13	64	25												
95701-06022-00	D9	28	40												
	F11	62	36												
	G6	73	19												
95701-06028-00	D2	21	18												
	D3	22	10												
95701-06032-00	D2	21	18												
95701-06035-00	E5	40	30												
95701-06040-00	E14	49	22												
95701-06040-09	H3	86	58												
95701-06045-00	D2	21	19												
95701-06055-00	E14	49	23												
95701-08016-00	D9	28	41												
95701-08020-00	F3	54	16												
	F5	56	18												
	F15	66	18												
95701-08022-00	E16	51	14												
	F11	62	37												
95701-08025-00	G4	71	34												
95701-08028-00	G9	76	25												
95701-08030-00	F5	56	19												
95701-08035-00	F5	56	19												
95701-08040-00	D10	29	42												
	G11	78	19												
	G12	79	12												
95701-08050-00	D10	29	43												
	E16	51	15												
95701-10030-00	H11	94	2												

3

PART NAME INDEX



Part name	Address	Page	Ref.	Part name	Address	Page	Ref.	Part name	Address	Page	Ref.
[A]				BODY, STRAINER	F12	63	10	BOLT, FLANGE, 8X50	D10	29	43
ALERT UNIT, OIL	I1	100	17	BOLT-WASHER, 11X115	D7	26	18	BOLT, FUEL JOINT, 12X25.5	E16	51	15
ARMATURE ASSY.	G10	77	5	BOLT, 6MM	E12	47	19	BOLT, HEX., 10X25	G2	69	25
	G12	79	3	BOLT, ADJUSTING	G16	83	36	BOLT, HEX., 10X25	D13	32	10
ARMATURE COMP.	G7	74	5		H1	84	36		E5	40	28
	G10	77	5	BOLT, AIR BREATHER, 8X20	G2	69	23	BOLT, HEX., 3/8-24UNF	D13	32	10
ARM COMP., GOVERNOR	G13	80	3				24	BOLT, HEX., 8X25	D13	32	10
ARM COMP., SUB GOVERNOR	G13	80	4	BOLT, CONNECTING ROD	E2	37	7	BOLT, RECESSED, 6X20	H2	85	46
ARM, EX. VALVE ROCKER	E4	39	11	BOLT, CONTROL ADJUSTING	G16	83	35	BOLT, RECESSED, 6X32	G16	83	33
ARM, IN. VALVE ROCKER	E4	39	10	BOLT, DRAIN	F9	60	26	BOLT, REEL COVER	E11	46	19
ARRESTER KIT, SPARK	F3	54	19		F12	63	12	BOLT, ROTARY TRANSMISSION	G2	69	26
ARRESTER, SPARK	F2	53	8	BOLT, DRAIN PLUG, 14MM	D9	28	32	BOLT, SEALING	D4	23	3
[B]				BOLT, FLANGE, 10X30	H11	94	2	BOLT, SETTING	G12	79	1
BAG, TOOL, 200MM	H15	98	4	BOLT, FLANGE, 5X16	H6	89	16	BOLT, STUD, 10X103.5	D7	26	19
BALL, CHECK	G2	69	22	BOLT, FLANGE, 5X8	F2	53	12	BOLT, STUD, 6X32	D3	22	6
BALL, STEEL,	G2	69	22		F5	56	15	BOLT, STUD, 8X28	D3	22	7
BAND	H9	92	8	BOLT, FLANGE, 6X12	D9	28	37	BOLT, THROUGH	G8	75	13
BAND, MUFFLER	F4	55	8				38		H10	77	1
BARREL ASSY., CYLINDER	D4	23	1				49	BOX ASSY., CONTROL	G8	91	1
			2				21	BRACKET, CASE MOUNTING	H9	92	4
BEARING A	G8	75	22		F11	62	35	BRACKET, RR. UNIT	G10	77	7
BEARING A, CAMSHAFT	E4	39	7		F13	64	24	BRUSH	G8	75	10
BEARING A, CONNECTING ROD	E1	36	6	BOLT, FLANGE, 6X14	D9	28	38	BULB, WEDGE BASE	H16	99	5
	E2	37	6		F11	62	36	[C]			
BEARING A, MAIN	D4	23	4	BOLT, FLANGE, 6X16	D9	28	39	CAMSHAFT ASSY.	E3	38	3
	D5	24	4		D12	31	12		E4	39	3
	D6	25	4		H3	86	57				4
BEARING B	G8	75	8		H10	93	17				5
BEARING B, CAMSHAFT	E4	39	7	BOLT, FLANGE, 6X18	G6	73	18	CAP ASSY., OIL FILLER	D1	20	7
BEARING B, CONNECTING ROD	E1	36	6	BOLT, FLANGE, 6X20	E14	49	21	CAP COMP., FUEL FILLER	F8	59	20
	E2	37	6		F13	64	25				21
BEARING B, MAIN	D4	23	4	BOLT, FLANGE, 6X22	D9	28	40		F12	63	5
	D5	24	4		F11	62	36				6
	D6	25	4	BOLT, FLANGE, 6X28	G6	73	19	CAP, AIR FILTER	H6	89	13
BEARING C, CONNECTING ROD	E1	36	6		D2	21	18	CAP, ENGINE COVER HOLE	E14	49	16
	E2	37	6		D3	22	10	CAP, OIL FILLER	D1	20	8
BEARING C, MAIN	D4	23	4	BOLT, FLANGE, 6X32	D2	21	18		D6	25	8
	D5	24	4	BOLT, FLANGE, 6X35	E5	40	30	CASE COMP., AIR CLEANER	E15	50	2
	D6	25	4	BOLT, FLANGE, 6X40	E14	49	22	CASE COMP., FR.	G10	77	11
BEARING D, CONNECTING ROD	E2	37	6		H3	86	58	CASE COMP., STARTER	E6	41	2
BEARING D, MAIN	D4	23	4	BOLT, FLANGE, 6X45	D2	21	19		E7	42	2
BEARING E, CONNECTING ROD	E2	37	6	BOLT, FLANGE, 6X55	E14	49	23	CASE, CONTROL	H9	92	3
BEARING E, MAIN	D5	24	4	BOLT, FLANGE, 6X8	E12	47	20	CASE, PRE AIR CLEANER	E16	51	7
BEARING F, CONNECTING ROD	E2	37	6	BOLT, FLANGE, 8X16	D9	28	41	CASE, PRE CLEANER	E16	51	7
BEARING F, MAIN	D5	24	4	BOLT, FLANGE, 8X20	F3	54	16	CASE, STARTER	E7	42	3
BEARING G, MAIN	D5	24	4		F5	56	18	CIRCLIP, EXTERNAL, 16MM	E5	40	29
BEARING, CAMSHAFT THRUST	E4	39	8		F15	66	18	CIRCLIP, INTERNAL, 12MM	D9	28	36
BEARING, CONNECTING ROD	E2	37	6	BOLT, FLANGE, 8X22	E16	51	14	CLAMPER, CORD	G6	73	7
BEARING, CRANKSHAFT THRUST	D13	32	8		F11	62	37	CLAMP, TUBE	D2	21	16
BEARING, NEEDLE, 8X12X10	H2	85	45	BOLT, FLANGE, 8X25	G4	71	34		F10	61	33
BEARING, RADIAL BALL, 6204	E5	40	31	BOLT, FLANGE, 8X28	G9	76	25				34
BEARING, SPECIAL BALL, 6204	D14	33	15	BOLT, FLANGE, 8X30	F5	56	19		F13	64	22
			16	BOLT, FLANGE, 8X35	F5	56	19				23
			25	BOLT, FLANGE, 8X40	D10	29	42		F14	65	14
BEARING, SPECIAL, 6307	D14	33	13		G11	78	19				15
BODY, STRAINER	F9	60	25		G12	79	12				16



PART NAME INDEX

K 2

Part name	Address	Page	Ref.	Part name	Address	Page	Ref.	Part name	Address	Page	Ref.
CLAMP, TUBE	F15	66	17	CRANKSHAFT COMP.	D13	32	6	GASKET, FUEL INJECTION PUMP...	G2	69	17
	H7	90	25				7	GASKET, MUFFLER	F2	53	9
CLAMP, WATER HOSE	F5	56	14	CUP HOLDER	F7	58	7		F4	55	9
CLIP, 2X60	H6	89	20	CUP, FUEL STRAINER	F7	58	8	GASKET, SPECIAL, 7MM	G3	70	30
CLIP, 2X70	E14	49	17	CUSHION, C.D.I. UNIT	H16	99	1	GAUGE ASSY., FUEL	F7	58	9
CLIP, CORD	H6	89	19		I1	100	18	GAUGE COMP., OIL LEVEL	D7	26	14
CLIP, HARNESS	H10	93	14	[D]				GEAR ASSY.	G10	77	12
CLIP, PISTON PIN, 1.2X20	E2	37	8						G12	79	2
CLIP, PULSER CORD	D1	20	11	DEFLECTOR, MUFFLER	F2	53	10	GRIP, REINFORCEMENT	E11	46	18
CLIP, TUBE	F10	61	33				11	GRIP, STARTER	E10	45	14
			34	DIAPHRAGM ASSY.	H6	89	6	GROMMET, AIR CLEANER	E15	50	5
	F13	64	22	DOWEL PIN, 10X16	D9	28	35	GROMMET, CORD	G6	73	8
			23	DOWEL PIN, 12X20	D3	22	9				9
	F15	66	17	DOWEL PIN, 13X20	D7	26	20	GROMMET, IGNITION COVER	H6	89	14
	H7	90	24	DOWEL PIN, 6X10	D2	21	14	GROMMET, WIRE HARNESS	H10	93	15
CLIP, VALVE GUIDE	D3	22	2	DOWEL PIN, 8X14	H3	86	54	GUIDE, PRE AIR CLEANER	E16	51	8
CLIP, WIRE HARNESS	D8	27	31	[E]				GUIDE, VALVE	D3	22	3
	H10	93	13					[H]			
CLUTCH COMP., OVERRUNNING	G7	74	6	ELEMENT COMP., AIR CLEANER	E15	50	1	HANGER, ENGINE	F6	57	1
COLLAR	E12	47	21	EMBLEM	H12	95	1		F14	65	1
COLLAR SET, CLUTCH STOP	G7	74	2	END, LOCK	G16	83	28	HARNES ASSY., CONTROL WIRE ...	H9	92	7
COLLAR, 6.2X12	F10	61	28	E-RING, 3MM	H3	86	55	HEAD COMP., CYLINDER	D3	22	1
COLLAR, CLUTCH STOP	G7	74	2	E-RING, 5MM	H3	86	56	HEATER ASSY., IN.	E16	51	9
COLLAR, CONTROL BOX	F12	63	15	EXTENSION COMP., OIL FILLER ...	D6	25	10	HOLDER COMP., CABLE	G14	81	15
COLLAR, DIAPHRAGM LEVER	H6	89	21	EXTENSION, OIL FILLER	D6	25	11	HOLDER COMP., STOP CABLE	G15	82	27
COLLAR, ENGINE COVER	E14	49	18	[F]					G16	83	27
			19	FAN COMP., COOLING	G5	72	1	HOLDER, BRUSH	G8	75	19
COLLAR, FAN	G5	72	3	FAN, COOLING	G5	72	2	HOLDER, CABLE	G14	81	12
COLLAR, FAN COVER	E13	48	4								16
COLLAR, RR. FENDER	H6	89	15	FILTER ASSY., FUEL	F8	59	23	HOLDER, STOP CABLE	E13	48	1
COLLAR, STOP LEVER	G15	82	24		F12	63	8	HOLDER, WIRE	G14	81	17
CONDENSER UNIT	H16	99	3	FILTER ASSY., SOLENOID VALVE ..	H6	89	12	HOOK, SPRING	G14	81	7
CONNECTOR, IN.	G1	68	15	FILTER COMP., FUEL	F14	65	4	HOSE, FUEL, 5.3X150	F14	65	11
CONTROL ASSY., SOLENOID	I1	100	20	FLANGE, P.T.O.	H11	94	1	HOSE, FUEL, 5.3X180	F14	65	12
CONTROL UNIT, HEATER	H16	99	12	FLYWHEEL	G6	73	6	HOSE, FUEL, 5.3X80	F14	65	10
COTTER, VALVE	E4	39	20	FLYWHEEL COMP.	G5	72	5	HOSE, FUEL, 7.3X170	F14	65	13
COVER	G8	75	12	FRAME COMP., COMMUTATOR END ...	G8	75	15	HOUSING COMP., DRIVE SIDE	G7	74	7
COVER COMP., AIR CLEANER	E15	50	4	FUSE, BLADE	H10	93	18	[I]			
COVER COMP., CYLINDER HEAD ...	D1	20	1	[G]				INSULATOR, BRUSH HOLDER	G8	75	20
COVER COMP., ENGINE	E13	48	8	GASKET	F7	58	6	INSULATOR, ENGINE COVER	E14	49	10
	E14	49	9					[J]			
COVER COMP., FAN	E13	48	2	GASKET A	G1	68	12	JOINT, AIR BREATHER	G2	69	21
			3	GASKET A, NOZZLE	G3	70	31	JOINT, FUEL	F12	63	1
COVER COMP., HEAD	D1	20	2	GASKET B	G1	68	14		G2	69	19
COVER, CYLINDER HEAD	D1	20	3	GASKET B, NOZZLE	G3	70	31	[K]			
			4	GASKET C, NOZZLE	G3	70	31	KEY COMP.	H10	93	10
COVER, GEAR	G10	77	3	GASKET D, NOZZLE	G4	71	31		H16	99	7
COVER, LOCK	H3	86	59	GASKET, CYLINDER HEAD	D3	22	4	KEY, 6.3X6.3X43	D14	33	12
COVER, OIL PUMP	D11	30	1	GASKET, EX. PIPE	F1	52	1	KEY, 7X7X33	D14	33	12
COVER, OIL STRAINER	D12	31	5					KEY, WOODRUFF, 50X7	G6	73	14
COVER, STARTER REEL	E9	44	10	GASKET, FUEL INJECTION PUMP ...	G1	68	17				
COVER, TERMINAL	G8	75	21								
	G11	78	13								
	G12	79	7								
CRANKSHAFT COMP.	D13	32	1								
			2								
			3								
			4								
			5								

PART NAME INDEX

K 3

Part name	Address	Page	Ref.	Part name	Address	Page	Ref.	Part name	Address	Page	Ref.
[L]				NUT, FLANGE, 8MM	F5	56	17	PLATE B, FRICTION.....	E8	43	9
LABEL, CAUTION	H12	95	4	NUT, HEX., 6MM	H2	85	40		E9	44	9
	H13	96	4					PLATE COMP., BREATHER.....	D1	20	5
			6					PLATE, EMBLEM.....	H12	95	3
LABEL, FIRE CAUTION	H14	97	12		H4	87	63	PLATE, EXTENSION.....	D6	25	12
LABEL, SPECIFICATION	H12	95	2	NUT, HEX., 8MM	G8	75	16	PLATE, GUIDE.....	E8	43	7
LEVER COMP., STOP	G14	81	18					PLATE, SIDE.....	E11	46	17
			19		G11	78	17	PLUG, SEALING.....	D8	27	22
			20		G12	79	10	PLUG, SEALING, 47MM.....	D8	27	28
LEVER, CONTROL	G14	81	8	NUT, PLUG COVER	H1	84	38	PLUG, SEALING, 80X10.....	D8	27	21
LEVER, DIAPHRAGM	H6	89	8	NUT, RETAINING	G1	68	3	PLUG, SEALING, 80X8.....	D7	26	21
LEVER, PINION DRIVE	G7	74	3	NUT, TAPPET ADJUSTING.....	E5	40	22	PROTECTOR A, MUFFLER.....	F1	52	3
LEVER, STOP	G14	81	21	[O]					F3	54	18
LIFTER, VALVE	E4	39	12	OIL SEAL, 31X80X10.....	D8	27	27		F4	55	4
[M]				OIL SEAL, 35X52X8.....	D8	27	24	PROTECTOR B, MUFFLER.....	F1	52	5
MARK, CAUTION	H13	96	5	OIL SEAL, 37X64X10.....	D8	27	26		F4	55	5
	H14	97	15	OIL SEAL, 37X66X10.....	D8	27	26	PROTECTOR, EX. PIPE.....	F1	52	4
MARK, CONTROL BOX	H10	93	11	OIL SEAL, 8X14X5.....	D8	27	22	PULLEY, STARTER.....	G5	72	4
MARK, EX. GAS WARNING	H14	97	17					PUMP ASSY., FUEL.....	F14	65	2
MARK, FUEL	H14	97	10	ORIFICE, AIR PATH.....	H6	89	5	PUMP ASSY., FUEL INJECTION....	F16	67	1
			14	O-RING	D1	20	12	[R]			
MARK, HEAT CAUTION	H14	97	16	O-RING, 10MM	G1	68	10	RATCHET, STARTER.....	E7	42	5
MARK, OIL	H13	96	9	O-RING, 14MM	D8	27	29		E8	43	5
MARK, OIL CAUTION	H14	97	13	O-RING, 42.2X2.4.....	D12	31	10	RECTIFIER ASSY., REGULATOR....	H16	99	2
MARK, THROTTLE	H13	96	7	O-RING, 7.8X1.9.....	H4	87	62		I1	100	19
			8	O-RING, HEAD COVER.....	D1	20	6	RECTIFIER COMP., SILICON.....	H9	92	5
MARK, USE FUEL	H14	97	11	[P]				RECTIFIER, SILICON.....	H16	99	4
METER ASSY., FUEL	F12	63	3	PACKING, AIR CLEANER	E15	50	3	REEL COMP., STARTER.....	E7	42	4
MOTOR ASSY., ENGINE STOP	H5	88	1		H6	89	10	REEL, STARTER.....	E7	42	4
MOTOR ASSY., STARTER	G8	75	9	PACKING, AIR CLEANER CASE.....	E16	51	6	RELAY ASSY., POWER.....	H16	99	13
	G10	77	8	PACKING, EXTENSION OIL FILLER.....	D7	26	13	RELAY COMP., STARTER.....	H16	99	14
	G12	79	5	PACKING, FUEL FILLER CAP.....	F8	59	22		I1	100	21
MUFFLER COMP.	F1	52	2		F12	63	7	RETAINER, VALVE SPRING.....	E4	39	18
	F3	54	17	PACKING, IN. HEATER	E16	51	10	RING SET, PISTON.....	D15	34	1
	F4	55	1						D16	35	1
			2	PACKING, OIL FILLER CAP	D1	20	9	RING, OUTER SETTING.....	E5	40	26
			3					RING, SNAP.....	G7	74	1
[N]								RING, SQUARE.....	G10	77	9
NOZZLE	G1	68	16	PANEL COMP., CONTROL	D6	25	9	ROD ASSY., CONNECTING.....	E1	36	4
NOZZLE & HOLDER ASSY.	F16	67	2		H8	91	2	ROD, JOINT.....	H6	89	9
NUT	G1	68	13	PIN	G1	68	4	ROD, PUSH.....	E4	39	9
NUT, AIR CLEANER COVER	E16	51	13	PIN, CENTER, 4X16.5.....	H2	85	44		G1	68	8
NUT, CAP	G1	68	11	PIN, FUEL STOPPER.....	F8	59	15	ROLLER, 3X13.4.....	D12	31	13
NUT, CAP, 6MM	H1	84	39	PIN, PISTON.....	E1	36	3	ROPE, STARTER.....	E10	45	16
	H3	86	60	PIN, SPLIT, 1.6.....	H3	86	52		E11	46	16
NUT, CONNECTING ROD	E1	36	5	PIN, SPLIT, 2.5X15.....	H3	86	53	ROTOR COMP.	G6	73	11
NUT, FLANGE, 10MM	D3	22	8	PIPE A, FUEL	G2	69	20	ROTOR, OIL PUMP INNER.....	D12	31	6
	D9	28	33	PIPE, EX.	F1	52	6	ROTOR, OIL PUMP OUTER.....	D12	31	7
					F2	53	6	RUBBER, BUSH.....	G11	78	15
NUT, FLANGE, 20MM	G6	73	12	PIPE, JOINT	F4	55	6	RUBBER, CONTROL BOX.....	F12	63	14
NUT, FLANGE, 5MM	G8	75	18	PIPE, OIL LEVEL	H6	89	3	RUBBER, FAN COVER.....	E13	48	5
NUT, FLANGE, 6MM	G4	71	33	PISTON	D16	35	2	RUBBER, FUEL TUBE CLAMP.....	G2	69	18
NUT, FLANGE, 8MM	F3	54	14		E1	36	2	RUBBER, SUPPORTER.....	F6	57	3
			15	PLATE A, FRICTION.....	E8	43	8				
	F5	56	16					RUBBER, TANK MOUNTING.....	F8	59	12

4

PART NAME INDEX



Part name	Address	Page	Ref.	Part name	Address	Page	Ref.	Part name	Address	Page	Ref.
[S]											
SCREEN	F5	56	13	SPACER, CONTROL LEVER	G14	81	14	TUBE, CHECK VALVE	H6	89	11
SCREEN COMP.	F4	55	12	SPANNER, 10X12	H2	85	42	TUBE, FUEL	F6	57	2
SCREW-WASHER, 4X28	G10	77	10	SPANNER, 14X17	H15	98	2	TUBE, FUEL, 3.5X25	H6	89	22
	G12	79	6	SPRING, BRUSH	G8	75	11	TUBE, FUEL, 3.5X90	H7	90	23
SCREW-WASHER, 5X20	H2	85	48	SPRING, CONTROL LEVER	G14	81	11	TUBE, FUEL, 4.5X100	F10	61	31
SCREW-WASHER, 6X25	G12	79	9	SPRING, FRICTION	E9	44	11	TUBE, FUEL, 4.5X110	F14	65	7
SCREW-WASHER, 6X30	G11	78	16		E10	45	11	TUBE, FUEL, 4.5X150	F12	63	17
SCREW, FLAT, 5X10	F10	61	29	SPRING, FUEL STOPPER	F8	59	17	TUBE, FUEL, 4.5X200	F12	63	18
SCREW, FLAT, 5X12	F12	63	16	SPRING, GOVERNOR	G13	80	5	TUBE, FUEL, 4.5X280	F14	65	8
SCREW, FLAT, 6X12	G6	73	15	SPRING, IDLE	G13	80	6	TUBE, FUEL, 4.5X45	F14	65	5
SCREW, FLAT, 6X16	D12	31	11		G14	81	6	TUBE, FUEL, 4.5X450	F12	63	19
SCREW, PAN, 3X18	G16	83	34	SPRING, LEVER	G14	81	10	TUBE, FUEL, 4.5X620	F12	63	20
SCREW, PAN, 4X8	H2	85	47	SPRING, NOZZLE	G1	68	7	TUBE, FUEL, 4.5X90	F14	65	6
SCREW, PAN, 5X16.5	E16	51	12	SPRING, OIL STRAINER	D11	30	4	TUBE, FUEL, 4.5X950	F14	65	9
SCREW, PAN, 5X8	F2	53	13		D12	31	4	TUBE, FUEL, 7.3X250	D2	21	15
SCREW, PAN, 6X12	H10	93	16	SPRING, RETURN	E10	45	12	TUBE, FUEL, 7.3X400	D2	21	15
SCREW, PAN, 6X8	D2	21	13	SPRING, STOP LEVER	G15	82	23	TUBE, FUEL, 8X450	F12	63	21
SCREW, SPECIAL, 6X12	H10	93	12					TUBE, FUEL, 8X90	F10	61	32
SCREW, TAPPET ADJUSTING	E5	40	21	SPRING, TORSION	E10	45	13	TUBE, LABYRINTH	G11	78	14
SEAL A, VALVE STEM	E3	38	1	SPRING, VALVE	E4	39	17	TUBE, OIL ALERT	H6	89	4
			2	SPRING, WEIGHT RETURN	E4	39	14	[V]			
SEAT, RELIEF VALVE	D6	25	7	STARTER ASSY., RECOIL	E6	41	1	VALVE ASSY., RELIEF	D6	25	5
SEAT, SPRING	G1	68	6	STATOR COMP.	G6	73	10	VALVE, CHECK	H6	89	2
			9	STAY ASSY., BRUSH	G10	77	6	VALVE, EX.	E4	39	16
SEAT, TANK STAY	F8	59	13		G12	79	4	VALVE, FUEL STOPPER	F8	59	16
			14	STAY COMP., DIAPHRAGM	H6	89	7	VALVE, IN.	E4	39	15
SEAT, VALVE SPRING	E4	39	19	STAY COMP., FUEL TANK	F8	59	18	VALVE, RELIEF	D6	25	6
SET RING, 470	D14	33	14					[W]			
	E5	40	27	STAY, GOVERNOR SHAFT	G13	80	2	WASHER	G8	75	17
SET RING, 80	D8	27	23	STAY, OIL LEVEL SWITCH	D7	26	15	WASHER, 10MM	D3	22	5
	D14	33	17	STAY, SOLENOID	G16	83	32	WASHER, 10.1MM	D12	31	9
SHAFT COMP., ROCKER ARM	E4	39	13	STRAINER COMP.	F9	60	24	WASHER, 10.5X40X4	D14	33	11
SHAFT, CONTROL LEVER	G14	81	9		F12	63	9		E5	40	24
SHAFT, GOVERNOR ARM	G13	80	1	STRAINER COMP., FUEL	F14	65	3	WASHER, 20MM	G6	73	13
SHAFT, RATCHET	E8	43	6	STRAINER COMP., OIL	D11	30	2	WASHER, 6MM	H4	87	61
SHAFT, STOP LEVER	G15	82	22	STRAINER, OIL	D11	30	3	WASHER, 6X30	H2	85	41
SHIM A	G4	71	32	SUSPENSION, COUPLER	H9	92	6	WASHER, 8MM	G2	69	28
SHIM B	G4	71	32	SUSPENSION, RELAY	I1	100	16	WASHER, AIR DUCT	F12	63	13
SHIM C	G4	71	32	SUSPENSION, STARTER RELAY	I1	100	15	WASHER, DIAPHRAGM LEVER	H6	89	18
SHIM D	G4	71	32					WASHER, DRAIN PLUG, 14MM	D9	28	34
SHIM E	G4	71	32	SWITCH ASSY.	G12	79	8	WASHER, FUEL JOINT	G2	69	29
SHIM F	G4	71	32	SWITCH ASSY., COMBINATION	H9	92	9	WASHER, LOCK, 8MM	D14	33	11
SHIM G	G4	71	32		H10	93	9	WASHER, PLAIN, 6MM	F10	61	30
SHIM H	G4	71	32	SWITCH ASSY., MAGNETIC	G7	74	4		G6	73	16
SHIM I	G4	71	32		H16	99	6	WASHER, PLAIN, 7MM	G2	69	27
SHIM J	G4	71	32	SWITCH ASSY., OIL LEVEL	D7	26	16	WASHER, PLAIN, 8MM	H3	86	51
SHIM K	G4	71	32	SWITCH, OIL PRESSURE	D7	26	17	WASHER, SEALING	H2	85	43
SHIM L	G4	71	32	[T]				WASHER, SPECIAL, 6MM	F9	60	27
SHIM M	G4	71	32	TANK COMP., FUEL	F7	58	10		F10	61	27
SHIM N	G4	71	32		F8	59	10	WASHER, SPRING, 8MM	G9	76	24
SHROUD	E13	48	6						G11	78	18
			7						G12	79	11
SOCKET ASSY., LAMP	H16	99	8	TOOL KIT	F12	63	4	WASHER, TANK SETTING	H1	84	37
			10	TUBE, 7X430	D2	21	17	WASHER, THRUST, 16MM	E5	40	23
SOLENOID ASSY., ENGINE STOP ..	G16	83	31					WASHER, WAVE	H2	85	42
SPACER	G1	68	5								
SPACER, CONTROL LEVER	G14	81	13								

PART NAME INDEX

K 5

Part name	Address	Page	Ref.	Part name	Address	Page	Ref.	Part name	Address	Page	Ref.
WEIGHT COMP., BALANCER	D13	32	9								
WEIGHT COMP., GOVERNOR	D12	31	8								
WIRE, LOCK	G16	83	29								
			30								
WOOL A, GLASS	F4	55	10								
WOOL B, GLASS	F4	55	11								
[Y]											
YOKE ASSY.	G10	77	4								
YOKE COMP.	G8	75	14								

4

1

FOREWORD INDEX

2

ENGINE GROUP

3

PART NUMBER INDEX

4

PART NAME INDEX

HONDA
The Power of Dreams



PARTS CATALOGUE NEWS

Honda Motor Co., Ltd. Service Division

PARTS CATALOGUE - CORRECTED

Printed in Japan

CODE NO.	BOOKLET TYPE	13ZG40E8
	MICRO-FICHE	13ZG40EH
PARTS CATALOGUE NEWS	GD320 GD321	
NEWS NO.		001

Block No.	Ref. No.	Note	Part No.	Description	Reqd. QTY				Serial No.	Parts catalogue code	
					GD 320 (1)	GD 320 (2)	GD 321 (1)	GD 321 (2)			
E-28	12		87592-737-610	LABEL, FIRE CAUTION	-	-	1	-	-----	PAA, QA, QAA, QAAE, QAE, VA, VAA, VAAE, VAE, WA, WAA	
					-	-	1	-	-----	1001449 LH, LHE, QB, QBE, QH, QHE, QX, QXE, SB, SBE, SH, SHE, SX, SXE VB, VBE, VGB, VH, VHE, VX, VXE, WH, WX	
					-	-	-	(1)	-----	1001449	
		K	87592-737-611	-	-	1	-	1001450	-----	LH, LHE, QB, QBE, QH, QHE, QX, QXE, SB, SBE, SH, SHE, SX, SXE VB, VBE, VGB, VH, VHE, VX, VXE, WH, WX
					-	-	-	(1)	1001450		

NOTE A:PART NO. CHANGE D:NEWLY PROVIDED E:PART NO. DELETION K:REQUIRED NO. CORRECTION L:APPLICATION SERIAL NO. CORRECTION
T:APPLICATION CORRECTION Z:REMARKS CHANGE



PARTS CATALOGUE NEWS

Honda Motor Co., Ltd. Service Division

PARTS CATALOGUE - CORRECTED

Printed in Japan

CODE NO.	BOOKLET TYPE	13ZG40E8
	MICRO-FICHE	13ZG40EH
PARTS CATALOGUE NEWS	GD320 GD321	
NEWS NO.	002	

Block No.	Ref. No.	Note	Part No.	Description	Reqd. QTY				Serial No.	Parts catalogue code
					GD 320 (1)	GD 320 (2)	GD 321 (1)	GD 321 (2)		
E-3	1	T	12000-ZG4-000	BARREL ASSY., CYLINDER	1	(1)	1	(1)	-----	E1, SB, SN, S1
					1	(1)	-	-	-----	1000646 WJ, W1
					1	-	-	-	-----	SH, SJ, SX
					1	-	-	-	-----	1001196 WH, WX
	T	12000-ZG4-600	1	(1)	1	(1)	-----	QA, QAA, QB, QN, Q1, VA, VAA, VN, V1	
				1	-	-	-	-----	QH, QX, VB, VH, VX	
	T	12000-ZG4-610	1	(1)	-	(1)	-----	LH, LJ, L1	
	T	12000-ZG4-800	BARREL ASSY., CYLINDER (SEL) .	1	(1)	1	(1)	-----	E1, SBE, SNE, S1, W1	
				1	(1)	-	-	-----	L1, SHE, SJE, STE, SXE	
	T	12000-ZG4-820	1	(1)	1	(1)	-----	QAAE, QAE, QBE, QNE, Q1, VAAE, VAE, VNE, V1	
				1	-	-	-	-----	QHE, QXE, VBE, VHE, VXE	
	T	12000-ZG4-830	1	(1)	-	(1)	-----	LHE, LJE, LNE, L1	
	T	12000-ZG4-840	1	(1)	-	(1)	-----	WJE, W1	

NOTE A:PART NO. CHANGE D:NEWLY PROVIDED E:PART NO. DELETION K:REQUIRED NO. CORRECTION L:APPLICATION SERIAL NO. CORRECTION
T:APPLICATION CORRECTION Z:REMARKS CHANGE

PARTS CATALOGUE NEWS

BOOKNo. : 13ZG40E8

Block No.	Ref. No.	Note	Part No.	Description	Reqd. QTY				Serial No.	Parts catalogue code	
					GD 320 (1)	GD 320 (2)	GD 321 (1)	GD 321 (2)			
		D	12000-ZG4-Q10	-	-	1	-	-----	SHE, SHE4, SJE, STE, SXE	
		D	12000-ZG4-Q20	-	-	1	-	-----	QHE, QHE4, QXE, VBE, VHE, VXE	
		D	12000-ZG4-Q30	-	-	1	-	-----	LHE, LJE, LNE	
		D	12000-ZG4-Q40	-	-	1	-	-----	WJE	
		D	12000-ZG4-405	BARREL ASSY., CYLINDER	-	-	1	-	-----	SH, SJ, SX, SXQ4	
		D	12000-ZG4-406	-	-	1	-	-----	QH, QX, VB, VGB, VH, VX	
		D	12000-ZG4-407	-	-	1	-	-----	LH, LHQ4, LJ	
	2	T	12000-ZG4-630	BARREL ASSY., CYLINDER	1	1	-	-	1000647	-----	WJ, W1
					1	-	1	(1)	-----	-----	WA, WAA, W1
					1	-	-	-	1001197	-----	WH, WX
		D	12000-ZG4-408	-	-	1	-	-----	-----	WH, WJ, WX

NOTE A:PART NO. CHANGE D:NEWLY PROVIDED E:PART NO.DELETION K:REQUIRED NO. CORRECTION L:APPLICATION SERIAL NO. CORRECTION
T:APPLICATION CORRECTION Z:REMARKS CHANGE



PARTS CATALOGUE NEWS

Honda Motor Co., Ltd. Service Division

PARTS CATALOGUE - CORRECTED

Printed in Japan

CODE NO.	BOOKLET TYPE	13ZG40E8
	MICRO- FICHE	13ZG40EH
PARTS CATALOGUE NEWS		GD320 GD321
NEWS NO.		003

Block No.	Ref. No.	Note	Part No.	Description	Reqd. QTY				Serial No.	Parts catalogue code
					GD 320 (1)	GD 320 (2)	GD 321 (1)	GD 321 (2)		
E-17-1	4		17510-YD6-000	TANK COMP., FUEL	-	(1)	-	-		
					-	-	-	(1)	-----	1001449
		A	17510-YD6-010	-	-	-	(1)		1001450

NOTE A:PART NO. CHANGE D:NEWLY PROVIDED E:PART NO.DELETION K:REQUIRED NO. CORRECTION L:APPLICATION SERIAL NO. CORRECTION
T:APPLICATION CORRECTION Z:REMARKS CHANGE



PARTS CATALOGUE NEWS

Honda Motor Co., Ltd. Service Division

PARTS CATALOGUE - CORRECTED

Printed in Japan

CODE NO.	BOOKLET TYPE	13ZG40E8
	MICRO-FICHE	13ZG40EH
PARTS CATALOGUE NEWS		GD320 GD321
NEWS NO.		004

Block No.	Ref. No.	Note	Part No.	Description	Reqd. QTY				Serial No.	Parts catalogue code
					GD 320 (1)	GD 320 (2)	GD 321 (1)	GD 321 (2)		
E-28	1		87101-ZJ8-000	EMBLEM (GD321)	-	-	1	(1)	-----	E1, L1, PAA, QA, QAA, QAAE, QAE, QB, QBE, Q1, SB, SBE, S1, VAA, VAAE, VAE, WA, WAA, W1
					-	-	1	(1)	----- 1001449	LH, LHE, LHQ4, LJ, LJE, LNE, QH, QHE, QHE4, QX, QXE, SH, SHE, SHE4, SJ, SJE, SX, SXE, SXQ4, VB, VBE, VGB, VH, VHE, VX, VXE, V1, WH, WJ, WJE, WX
		K	87101-ZJ8-010	-	-	1	(1)	1001450 -----	LH, LHE, LHQ4, LJ, LJE, LNE, QH, QHE, QHE4, QX, QXE, SH, SHE, SHE4, SJ, SJE, SX, SXE, SXQ4, VB, VBE, VGB, VH, VHE, VX, VXE, V1, WH, WJ, WJE, WX

NOTE A:PART NO. CHANGE D:NEWLY PROVIDED E:PART NO.DELETION K:REQUIRED NO. CORRECTION L:APPLICATION SERIAL NO. CORRECTION
T:APPLICATION CORRECTION Z:REMARKS CHANGE



PARTS CATALOGUE NEWS

Honda Motor Co., Ltd. Service Division

PARTS CATALOGUE - CORRECTED

Printed in Japan

CODE NO.	BOOKLET TYPE	13ZG40E8
	MICRO-FICHE	13ZG40EH
PARTS CATALOGUE NEWS		GD320 GD321
NEWS NO.		005

Block No.	Ref. No.	Note	Part No.	Description	Reqd. QTY				Serial No.	Parts catalogue code			
					GD 320 (1)	GD 320 (2)	GD 321 (1)	GD 321 (2)					
E-23	10		35111-880-003	KEY COMP.	2	-	2	-	-----	QAAE, QAE, QNE, SNE, VAAE, VAE, VNE			
					2	-	-	-	-----	LHE, LJE, LNE, QBE, QHE, QXE, SBE, SHE, SJE, SXE, VBE, VHE, VXE, WJE			
					-	(2)	-	-					
					-	-	2	-	-----	1001479 LHE, LJE, LNE, QBE, QHE, QHE4, QXE, SBE, SHE, SHE4, SJE, SXE, VBE, VHE, VXE, WJE			
					-	-	-	(2)	-----	1001479			
	K		35111-880-013	-	-	2	-	1001480	LHE, LJE, LNE, QBE, QHE, QHE4, QXE, SBE, SHE, SHE4, SJE, SXE, VBE, VHE, VXE, WJE			
					-	-	-	(2)	1001480				
									-	(2)	-		
									-	-	-	(2)	1001480
E-40	7		35111-880-003	KEY COMP.	-	(2)	-	-	-----	L1, Q1, S1, V1, W1			
					-	-	-	(2)	-----	1001479			
									-	-	-	(2)	1001480

NOTE A:PART NO. CHANGE D:NEWLY PROVIDED E:PART NO. DELETION K:REQUIRED NO. CORRECTION L:APPLICATION SERIAL NO. CORRECTION
T:APPLICATION CORRECTION Z:REMARKS CHANGE



PARTS CATALOGUE NEWS

Honda Motor Co., Ltd. Service Division

PARTS CATALOGUE - CORRECTED

Printed in Japan

CODE NO.	BOOKLET TYPE	13ZG40E8
	MICRO-FICHE	13ZG40EH/FH/GH
PARTS CATALOGUE NEWS		GD320 GD321
NEWS NO.		006

Block No.	Ref. No.	Note	Part No.	Description	Reqd. QTY				Serial No.	Parts catalogue code
					GD 320 (1)	GD 320 (2)	GD 321 (1)	GD 321 (2)		
E-1	3		12311-ZG3-010	COVER, CYLINDER HEAD	1	(1)	-	-	-----	E1, LH, LJ, L1
					1	(1)	-	-	1001170	QA, QH, QX, Q1, SH, SJ, SX, S1, VH, VX, V1, WH, WJ, WX, W1
					1	-	1	-	-----	PAA, QAA, VA, VAA, WA, WAA
					-	-	1	-	-----	QA
					-	-	1	-	1001477	LH, LHQ4, LJ, QB, QH, QX, SB, SH, SJ, SX, SXQ4, VB, VGB, VH, VX, WH, WJ, WX
					-	-	-	(1)	1001477	
					-	-	1	-	1001478	LH, LHQ4, LJ, QB, QH, QX, SB, SH, SJ, SX, SXQ4, VB, VGB, VH, VX, WH, WJ, WX
E-23	11	K	12311-ZG3-020	-	-	1	-	1001478	
					-	-	-	(1)	1001478	
					1	-	1	-	-----	QAAE, QAE, QBE, SBE, VAAE, VAE
E-23	11		87529-ZG3-810	MARK, CONTROL BOX (EXTERNAL) .	1	-	-	(1)	-----	E1, LHE, L1, QHE, QNE, QXE, Q1, SHE, SNE, SXE, S1, VBE, VHE, VNE, VXE, W1
					-	(1)	-	-	-----	
					-	-	1	(1)	1001475	LHE, QHE, QXE, SHE, SXE, VHE, VXE, V1
					-	-	-	-	-----	

NOTE A:PART NO. CHANGE D:NEWLY PROVIDED E:PART NO.DELETION K:REQUIRED NO. CORRECTION L:APPLICATION SERIAL NO. CORRECTION
T:APPLICATION CORRECTION Z:REMARKS CHANGE

PARTS CATALOGUE NEWS

BOOKNo. : 13ZG40E8

Block No.	Ref. No.	Note	Part No.	Description	Reqd. QTY				Serial No.	Parts catalogue code
					GD 320 (1)	GD 320 (2)	GD 321 (1)	GD 321 (2)		
					-	-	1	-	-----	VBE
		K	87529-ZG3-811	-	-	1 (1)		1001476 -----	LHE, QHE, QXE, SHE, SXE, VHE, VXE, V1
E-28	3		87521-ZG3-000	PLATE, EMBLEM	1	-	1	-	-----	PAA, QA, QAA, QAAE, QAE, QB, QBE, SB, SBE, VA, VAA, VAAE, VAE, WA, WAA
					1	-	-	(1)	-----	E1, LH, LHE, LJ, LJE, LNE, L1, QH, QHE, QN, QNE, QX, QXE, Q1, SH, SHE, SJ, SJE, SN, SNE, SX, SXE, S1, VB, VBE, VH, VHE, VN, VNE, VX, VXE, WH, WJ, WJE, WX, W1
					-	(1)	-	-		
					-	-	1 (1)		----- 1001475	LH, LHE, LHQ4, LJ, LJE, LNE, QH, QHE, QHE4, QX, QXE, SH, SHE, SHE4, SJ, SJE, SX, SXE, SXQ4, VB, VBE, VGB, VH, VHE, VX, VXE, V1, WH, WJ, WJE, WX
		K	87521-ZG3-010	-	-	1 (1)		1001476 -----	LH, LHE, LHQ4, LJ, LJE, LNE, QH, QHE, QHE4, QX, QXE, SH, SHE, SHE4, SJ, SJE, SX, SXE, SXQ4, VB, VBE, VGB, VH, VHE, VX, VXE, V1, WH, WJ, WJE, WX

NOTE A:PART NO. CHANGE D:NEWLY PROVIDED E:PART NO.DELETION K:REQUIRED NO. CORRECTION L:APPLICATION SERIAL NO. CORRECTION
T:APPLICATION CORRECTION Z:REMARKS CHANGE



PARTS CATALOGUE NEWS

Honda Motor Co., Ltd. Service Division

PARTS CATALOGUE - CORRECTED

Printed in Japan

CODE NO.	BOOKLET TYPE	13ZG40E8
	MICRO- FICHE	13ZG40EH/FH/GH
PARTS CATALOGUE NEWS		GD320 GD321
NEWS NO.		007

Block No.	Ref. No.	Note	Part No.	Description	Reqd. QTY				Serial No.	Parts catalogue code
					GD 320 (1)	GD 320 (2)	GD 321 (1)	GD 321 (2)		
E-17	10	T	17510-ZG3-800ZA	TANK COMP., FUEL (GAUGE) *R8*..... BRIGHT RED	1	-	-	-	-----	QAA, QAAE, QX, QXE, SX, SXE, VA, VAA, VAAE, VX, VXE, WA, WAA, WX
					1	-	-	-	1005010	QA, QAE
					-	(1)	-	-		
		A	17510-ZG3-800ZC	*R280*..... POWER RED	-	-	1	-	-----	SXQ4, VGB

NOTE A:PART NO. CHANGE D:NEWLY PROVIDED E:PART NO. DELETION K:REQUIRED NO. CORRECTION L:APPLICATION SERIAL NO. CORRECTION
T:APPLICATION CORRECTION Z:REMARKS CHANGE



PARTS CATALOGUE NEWS

Honda Motor Co., Ltd. Service Division

PARTS CATALOGUE - CORRECTED

Printed in Japan

CODE NO.	BOOKLET TYPE	13ZG40E8
	MICRO-FICHE	13ZG40EH/FH/GH
PARTS CATALOGUE TITLE	GD320 GD321	
NEWS NO.	008	

Block No.	Ref. No.	Note	Part No.	Description	Reqd. QTY				Serial No.	Parts catalogue code
					GD 320 (1)	GD 320 (2)	GD 321 (1)	GD 321 (2)		
E-23	11		87529-ZG3-800	MARK, CONTROL BOX (INTERNAL)	1	-	-	-	-----	LJE, LNE, SJE, WJE
					-	(1)	-	-		
					-	-	1	-	----- 1001485	LJE, LNE, SJE, WJE
					-	-	-	(1)	----- 1001485	
		A	87529-ZG3-801	-	-	1	-	1001486 -----	LJE, LNE, SJE, WJE
					-	-	-	(1)	1001486	

NOTE A:PART NO. CHANGE D:NEWLY PROVIDED E:PART NO.DELETION K:REQUIRED NO. CORRECTION L:APPLICATION SERIAL NO. CORRECTION
T:APPLICATION CORRECTION Z:REMARKS CHANGE



PARTS CATALOGUE NEWS

Honda Motor Co., Ltd. Service Division

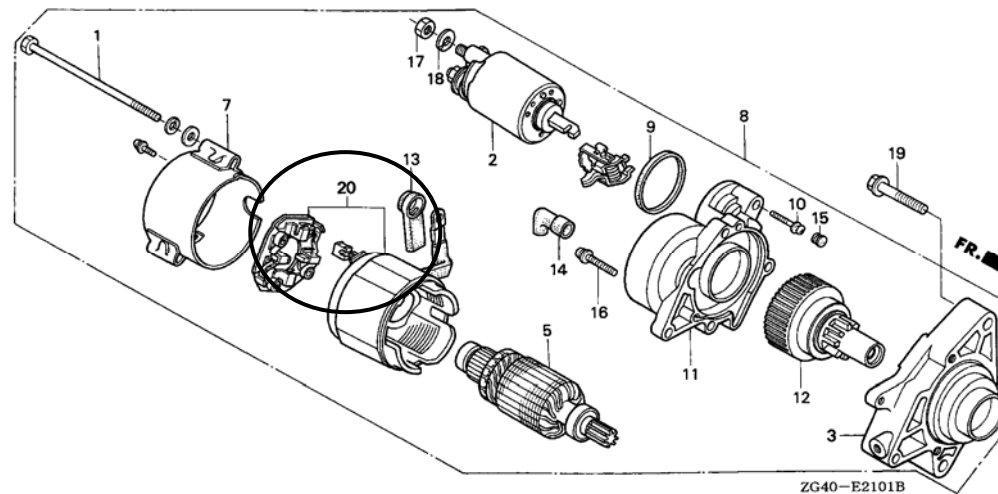
PARTS CATALOGUE - CORRECTED

Printed in Japan

CODE NO.	BOOKLET TYPE	13ZG40E8
	MICRO-FICHE	13ZG40EH/FH/GH
PARTS CATALOGUE TITLE	GD320 GD321	
NEWS NO.	009	

Block No.	Ref. No.	Note	Part No.	Description	Reqd. QTY				Serial No.	Parts catalogue code
					GD 320 (1)	GD 320 (2)	GD 321 (1)	GD 321 (2)		

E-21-1 STARTER MOTOR (2)



E-21-1 4 E 31206-PH7-006 *PARTS NO. DELETION

NOTE A:PART NO. CHANGE D:NEWLY PROVIDED E:PART NO. DELETION K:REQUIRED NO. CORRECTION L:APPLICATION SERIAL NO. CORRECTION
T:APPLICATION CORRECTION Z:REMARKS CHANGE

PARTS CATALOGUE NEWS

BOOKNo. : 13ZG40E8

Block No.	Ref. No.	Note	Part No.	Description	Reqd. QTY				Serial No.	Parts catalogue code
					GD 320 (1)	GD 320 (2)	GD 321 (1)	GD 321 (2)		
	6	E	31208-PH7-006	*PARTS NO. DELETION						
	20	D	31260-PP8-006	STATOR SET	1	-	-	-	-----	STE
					-	-	1	-	-----	1001194 STE

NOTE A:PART NO. CHANGE D:NEWLY PROVIDED E:PART NO.DELETION K:REQUIRED NO. CORRECTION L:APPLICATION SERIAL NO. CORRECTION
T:APPLICATION CORRECTION Z:REMARKS CHANGE



PARTS CATALOGUE NEWS

Honda Motor Co., Ltd. Service Division

PARTS CATALOGUE - CORRECTED

Printed in Japan

CODE NO.	BOOKLET TYPE	13ZG40E8
	MICRO- FICHE	13ZG40EH/FH/GH
PARTS CATALOGUE NEWS	GD320 GD321	
NEWS NO.	010	

Block No.	Ref. No.	Note	Part No.	Description	Reqd. QTY				Serial No.	Parts catalogue code	
					GD 320 (1)	GD 320 (2)	GD 321 (1)	GD 321 (2)			
E-1	1	T	12310-ZG3-801	COVER COMP., CYLINDER HEAD (SEL)	1	-	1	-	-----	QAAE, VAAE, VAE	
					-	-	1	-	-----	QAE	
					1	(1)	1	-	-----	E1, LHE, LJE, LNE, L1, QHE4, SHE4, WJE	
					1	(1)	-	-	1001208	-----	QAE, QHE, QXE, Q1, SHE, SJE, SXE, S1, VHE, VXE, V1, W1
					-	-	1	-	-----	QBE, QHE, QXE, SBE, SHE, SJE, SXE, VBE, VHE, VXE	
-	-	-	(1)								
E-23	10	T	35111-880-003	KEY COMP.	2	-	2	-	-----	QAAE, QNE, SNE, VAAE, VAE, VNE	
					-	-	2	-	-----	QAE	
					-	-	2	-	1001479	-----	LHE, LJE, LNE, QBE, QHE, QHE4, QXE, SBE, SHE, SHE4, SJE, SXE VBE, VHE, VXE, WJE
					-	-	-	(2)	1001479	-----	
					2	-	-	-	-----	LHE, LJE, LNE, QAE, QBE, QHE, QXE, SBE, SHE, SJE, SXE, VBE VHE, VXE, WJE	
-	(2)	-	-								
		T	35111-880-013	2	-	-	-----			

NOTE A:PART NO. CHANGE D:NEWLY PROVIDED E:PART NO.DELETION K:REQUIRED NO. CORRECTION L:APPLICATION SERIAL NO. CORRECTION
T:APPLICATION CORRECTION Z:REMARKS CHANGE

PARTS CATALOGUE NEWS

BOOKNo. : 13ZG40E8

Block No.	Ref. No.	Note	Part No.	Description	Reqd. QTY				Serial No.	Parts catalogue code
					GD 320 (1)	GD 320 (2)	GD 321 (1)	GD 321 (2)		
					-	-	2	-	1001480 -----	LHE, LJE, LNE, QBE, QHE, QHE4, QXE, SBE, SHE, SHE4, SJE, SXE VBE, VHE, VXE, WJE
					-	-	-	(2)	1001480	
E-40	7	T	35111-880-003	KEY COMP.	-	-	-	(2)	----- 1001479	
		T	35111-880-013	-	(2)	-	-	----- -----	L1, Q1, S1, V1, W1
					-	-	-	(2)	1001480	

NOTE A:PART NO. CHANGE D:NEWLY PROVIDED E:PART NO.DELETION K:REQUIRED NO. CORRECTION L:APPLICATION SERIAL NO. CORRECTION
T:APPLICATION CORRECTION Z:REMARKS CHANGE



PARTS CATALOGUE NEWS

Honda Motor Co., Ltd. Service Division

PARTS CATALOGUE - CORRECTED

Printed in Japan

CODE NO.	BOOKLET TYPE	13ZG40E8
	MICRO-FICHE	13ZG40EH/FH/GH
PARTS CATALOGUE NEWS		GD320 GD321
NEWS NO.		011

Block No.	Ref. No.	Note	Part No.	Description	Reqd. QTY				Serial No.	Parts catalogue code
					GD 320 (1)	GD 320 (2)	GD 321 (1)	GD 321 (2)		
E-28	5	E	87522-ZH8-W40	*PARTS NO. DELETION						
		D	87522-ZH8-W41	MARK, CAUTION (PICTOGRAPH) ...	-	-	1	-	-----	LH04, QHE4, SHE4, SX04, VB, VBE, VGB

NOTE A:PART NO. CHANGE D:NEWLY PROVIDED E:PART NO.DELETION K:REQUIRED NO. CORRECTION L:APPLICATION SERIAL NO. CORRECTION
T:APPLICATION CORRECTION Z:REMARKS CHANGE



PARTS CATALOGUE NEWS

Honda Motor Co., Ltd. Service Division

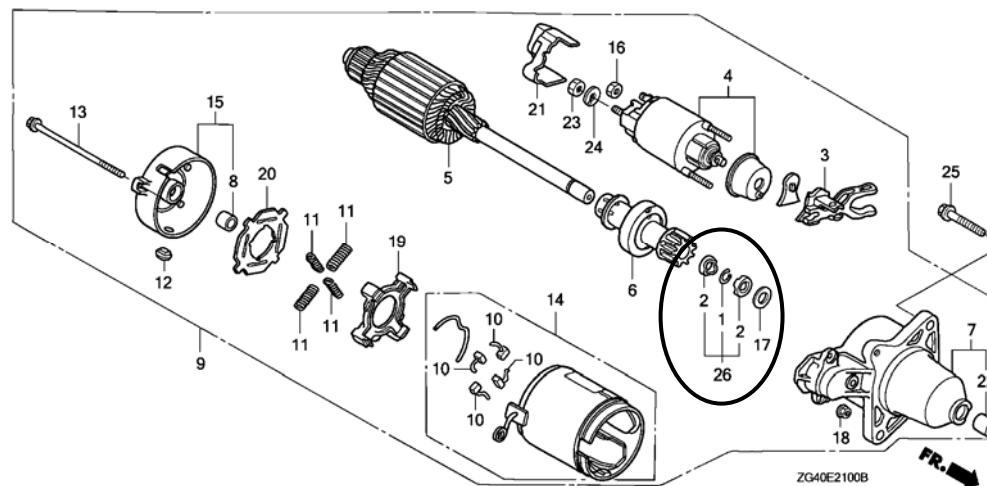
PARTS CATALOGUE - CORRECTED

Printed in Japan

CODE NO.	BOOKLET TYPE	13ZG40E8
	MICRO-FICHE	13ZG40EH/FH/GH
PARTS CATALOGUE NEWS		GD320 GD321
NEWS NO.		012

Block No.	Ref. No.	Note	Part No.	Description	Reqd. QTY				Serial No.	Parts catalogue code
					GD 320 (1)	GD 320 (2)	GD 321 (1)	GD 321 (2)		

E-21 STARTER MOTOR (1)



E-21 2 E 30202-PZ1-003 *PARTS NO. DELETION

NOTE A:PART NO. CHANGE D:NEWLY PROVIDED E:PART NO. DELETION K:REQUIRED NO. CORRECTION L:APPLICATION SERIAL NO. CORRECTION
T:APPLICATION CORRECTION Z:REMARKS CHANGE

PARTS CATALOGUE NEWS

BOOKNo. : 13ZG40E8

Block No.	Ref. No.	Note	Part No.	Description	Reqd. QTY				Serial No.	Parts catalogue code
					GD 320 (1)	GD 320 (2)	GD 321 (1)	GD 321 (2)		
	26	D	30202-PZ1-003	COLLAR SET, CLUTCH STOP	-	-	2	-	1000722 -----	LHE, LJE, LNE, QAAE, QAE, QHE, QHE4, QXE, SHE, SHE4, SJE, SXE VAAE, VAE, VBE, VHE, VXE, WJE
					-	-	-	(2)	1000722	

NOTE A:PART NO. CHANGE D:NEWLY PROVIDED E:PART NO.DELETION K:REQUIRED NO. CORRECTION L:APPLICATION SERIAL NO. CORRECTION
T:APPLICATION CORRECTION Z:REMARKS CHANGE